



# BIOLAN

**BIOWASTE COMPOSTER**  
Instructions for use

**BIOWASTE COMPOSTER**  
Bruksanvisning

**HURTIGKOMPOST**  
Bruksanvisning

**KOMPOSTBEHOLDER TIL BIOAFFALD**  
Brugsanvisning

**BIOWASTE KOMPOSTER**  
Bedienungsanleitung

**COMPOSTEUR BIODÉCHETS**  
Instructions d'utilisation

**BIOJÄÄTME TE KOMPOSTER**  
Kasutusjuhend

**BIOLOĢISKO ATKRITUMU KOMPOSTĒTĀJS**  
Lietošana

**ORGANINIŲ ATLIEKŲ KOMPOSTINĖ**  
Naudojimo instrukcija

**КОМПОСТЕР ДЛЯ ОРГАНИЧЕСКИХ ОТХОДОВ**  
Инструкция по применению

**BIOWASTE COMPOSTER**  
Käyttöohje

**KOMPOSTÉR NA BIOODPAD**  
Návod k použití

**KOMPOSTOWNIK BIOODPADÓW**  
Instrukcja obsługi



EN

SV

NO

DA

DE

FR

ET

LV

LT

RU

FI

CS

PL

# Biowaste Composter

## Instructions for use

**EN**

Biolan Biowaste Composter is designed for year-round composting of kitchen waste. The thermally insulated composter with an efficient ventilation system quickly produces compost. Biolan Biowaste Composter has been dimensioned for the biowaste generated by a single family. If Biolan Biowaste Composter is used in the correct manner, the mass will be efficiently composted, which will make using and unloading of the composter more pleasant.

### Contents

Dimensions	3
Parts list	4
1. Composting permits and regulations	5
2. Choosing correct composter location	5
3. Prior to use	5
3.1 Attaching the seep liquid hose and draining liquid	5
4. Commissioning	5
4.1 Starting the composting process	5
5. Using the Biowaste Composter	5
5.1 Loading	5
5.2 Unloading	5
5.3 Issues to be taken into account during the cold season	5
5.4 Cleaning the Biowaste Composter	6
6. Using compost and seep liquid in the garden	6
6.1 Using mature compost soil	6
6.2 Using seep liquid	6
7. Troubleshooting	6
7.1 Rotten odour	6
7.2 Ammonia odour	6
7.3 Composting process does not start	6
7.4 Compost mass freezes over	7
7.5 Compost mass is too dense	7
7.6 Flies or fly larvae in the composter	7
7.7 Ants in the composter	7
7.8 Mould in the composter	7
7.9 Fungi in the composter	7
Product disposal	7
Warranty	7



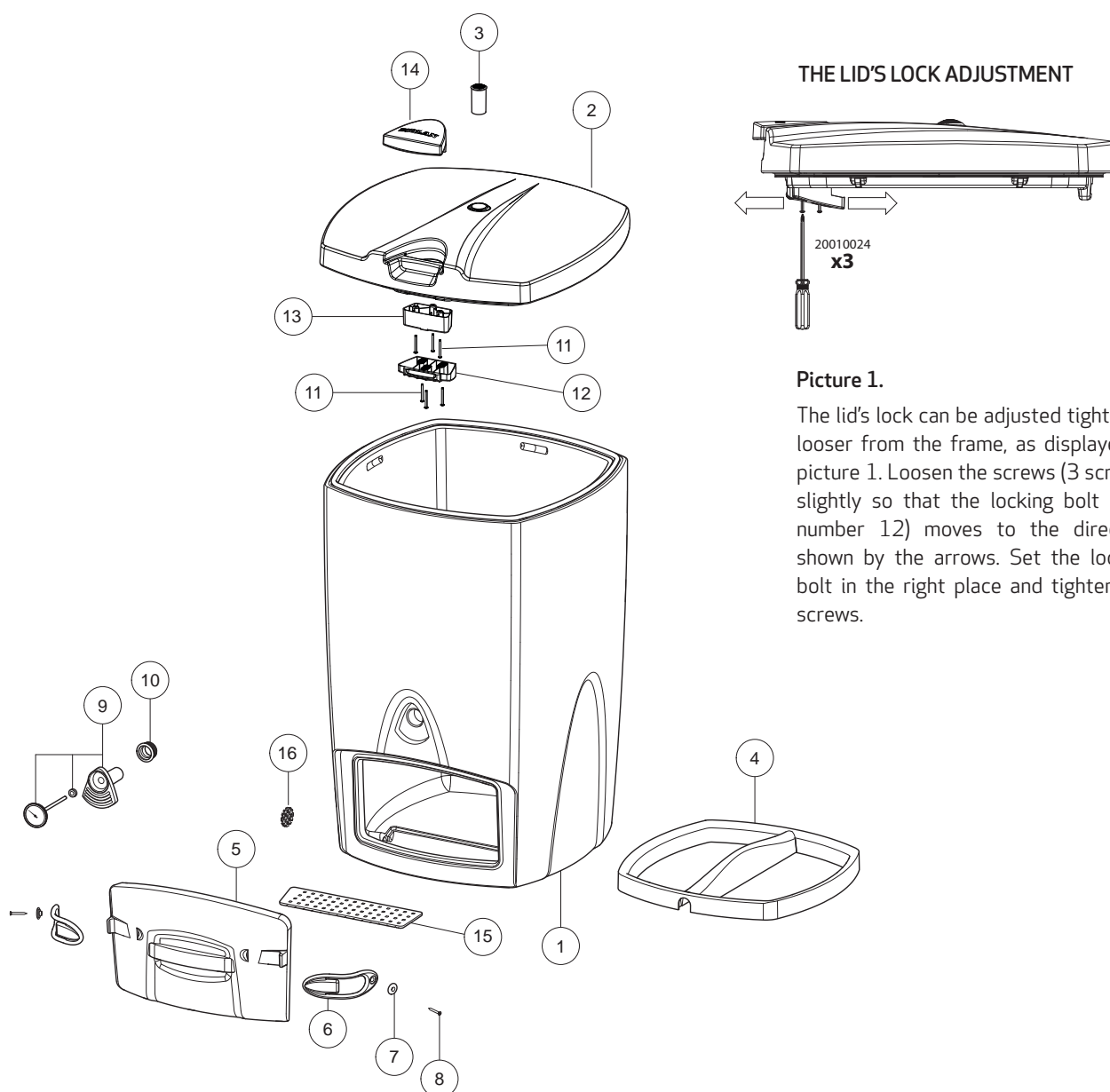
### Dimensions

volume approximately	200 litres
capacity (depending on the volume and type of waste)	1-6 persons
Bottom (w x d)	54 x 54 cm
Lid (w x d)	62 x 63 cm
Total composter height	100 cm
Working height	91 cm
Weight when empty approximately	21 kg
Weight when full approximately	100-150 kg
Weight of lid when opened	1.5 kg
Diameter of seep liquid opening	32 mm

## Parts list

Part	Item	Part number	Material
1	Frame	17792901	PE+PU
2	Lid	17710040	EPP
3	Exhaust air valve	18710400	PP
4	Inlet air channel	18792003	PE
5	Unloading door	18790950	PE+PU
6	Latch	18710370	EPDM
7	Washer for rubber latch strap	18726140	PE
8	Latch screw	20010023	RST
9	Inlet air valve	18792903	PE
	Sealing ring		Silicone
	Thermometer		RST
10	Lead-through rubber 30/40	19780050	EPDM
11	Screw for fixing handle 4,5 x 45 tx 20 A2	20010024	RST
12	The lid's lock adjustment	18704098	PP
13	Lock piece	18704097	PP
14	Handle	18704095	PP
15	Liquid separation plate	18710141	PE
16	Rodent shield	21900020	RST
In addition to the parts shown in the detail, the composter includes the following:			
	Instructions for use	27579070	Paper
Installed	Lid gasket	19733220	Silicone
Installed	Unloading door gasket	19733210	PE

EN



Picture 1.

The lid's lock can be adjusted tighter or looser from the frame, as displayed in picture 1. Loosen the screws (3 screws) slightly so that the locking bolt (part number 12) moves to the direction shown by the arrows. Set the locking bolt in the right place and tighten the screws.

## 1. Composting permits and regulations

The permits and regulations applicable to composting vary from country to country and municipality to municipality. Consult your local municipal environmental authority for the regulations valid in your area.

## 2. Choosing correct composter location

Place the Biowaste Composter in a place where you can easily take your waste and unload the composter all year round.

Set the composter up on a firm surface at a location with good drainage. Make sure that the composter is level.

The Biowaste Composter includes a seep liquid opening in the bottom left-hand side to drain any excess liquid. Place the composter directly onto the ground so that the soil will absorb any seep liquid. Alternatively, you can collect the seep liquid (see Chapter 3.1).

If the compost mass is unusually wet, seep liquid may also seep from under the unloading door (part 5) and from the inlet air valve at the front of the composter (part 9).

## 3. Prior to use

Place the liquid separation plate (part 15) in the recess located in the bottom of the composter (the seep liquid drain). The purpose of the liquid separation plate is to separate any excess liquid from the compost mass. The plate can be detached and cleaned if necessary.

### 3.1 Attaching the seep liquid hose and draining liquid

The Biowaste Composter has a seep liquid opening in the bottom left-hand side to allow any excess liquid to drain from the composter and be absorbed into the ground. You can collect the seep liquid in a container if you like, but this is not mandatory. Remove the rodent shield from the seep liquid opening in the bottom edge of the composter with a screwdriver, for example. Connect a liquid hose, diameter 32 mm, to the seep liquid opening in the bottom edge of the composter. Place the other end of the hose in a container located in such a place that the liquid will flow downhill.

## 4. Commissioning

Place a layer of five centimetres (5 cm) of Biolan Bulking Material in the bottom of the composter.

Start using the composter in the manner described in Chapter 5. When you are putting waste into the composter for the first time, use more bulking material than recommended – you can reduce the amount later on.

### 4.1 Starting the composting process

The composting process will start when there is enough waste in the composter, i.e. the composter is approximately half full. Once the process has started, the waste will turn into cover soil in approximately five to eight weeks. The start of the process may be slower if the outdoor temperature is less than 0°C. The micro-organism population that will develop inside the composter will increase the temperature inside the composter and keep it at this level, provided that waste is regularly added to the composter. The composter's thermal insulation material will keep the heat in and prevent the outdoor air from cooling the compost mass.

The best indicator of a well-functioning composter is the quality of the compost mass when the device is being emptied. If the composter is working fine, the waste will have disintegrated, except for citrus fruit peels or eggshells, which may still be clearly identifiable.

## 5. Using the Biowaste Composter

The composter is intended for biodegradable materials only. Do not place anything in the composter that could impede the composting process or will not turn into compost, such as:

- Plastic, rubber, glass, leather
- Chemicals, wood preservatives and disinfectants, paints, solvents, petrol
- Detergents, washing water
- Lime
- Ash, cigarette butts, matches
- Hoover bags
- Coloured advertisement paper
- Large quantities of paper

### 5.1 Loading

- Empty the biowaste container into the composter. Please note that the larger the pieces of waste you put into the composter, the longer it will take for them to disintegrate.
- If you use biodegradable rubbish bags, empty the content of the bag into the composter and put the bag in separately.
- Always cover the waste with Biolan Bulking Material. Usually the proper amount is approximately one-third to half of the amount of new waste deposited in the composter. If the waste is wet, use more of the bulking material.
- Continue adding more waste to the composter as you generate more waste. Try to add more waste to the composter several times a week. This is especially important during the cold season.
- Stir in the most recent compost down to some 20–30 cm from the surface. You do not need to mix the compost after every loading. The more bulking agent you use, the less mixing the mass requires.
- Do not mix the entire compost mass all the way down to the bottom to prevent the already cooled lowermost layers from cooling down the compost mass that is still warm.

### 5.2 Unloading

- The Biowaste Composter must be emptied all year round. Unload the composter when it is almost full, more often during the cold season than during the warm season. After the composter has been unloaded, there is more oxygen in it, which will often increase the temperature inside the composter.
- In the wintertime, only remove a little bit of the compost mass at a time. In the summertime, you can remove more, but always unload at the most half of the compost mass.
- Open the unloading door (part 5) and remove some of the mass from the bottom of the composter with a shovel.
- Also clean the area under the seep liquid plate (part 15) and make sure that there is no blockage in the seep liquid hose.
- If the mass you removed was very wet, place a couple of shovelfuls of Biolan Bulking Material in the bottom of the composter.
- Close the unloading door.
- Press down the mass from the top with the shovel, for example. It will be easier if you start from the corners. Take care not to damage the inlet air channel located in the centre of the composter.
- Empty the seep liquid container, if necessary.

### 5.3 Issues to be taken into account during the cold season

The composting waste generates heat inside the composter; the device itself does not generate any heat. Micro-organisms require fresh waste regularly to maintain their vital functions.

The thermal insulation of the Biowaste Composter prevents the heat from getting out and, thus, promotes the operation of the composter and prevents the compost mass from freezing.

- Regular use of the composter, i.e. loading and unloading, is very important during the cold season. It is the only way to keep the conditions inside the composter favourable to the micro-organisms and thus keep the composting process going.

- Don't reduce the amount of bulking material or stop using bulking material altogether during the cold season: using enough bulking material is especially important when it is cold, as wet compost mass will freeze up more easily.
- Store the bulking material in a warm space where it is protected from the rain.
- Make sure that the inlet and outlet air valve (parts 9 and 3) of the composter do not freeze over, as it would prevent proper ventilation of the composter. Remove any ice.
- The composter, its parts or the compost mass will not be damaged if the compost mass does freeze over. The composting process will continue when the compost mass thaws at the latest.

#### 5.4 Cleaning the Biowaste Composter

- Do not wash the composter. Various moulds and ray fungi are important decomposing organisms in the compost, and you should not wash them away.
- Clean the inlet air valve (part 9), the exhaust air valve (part 3) and the seep liquid hose (if any) with water, if necessary.

## 6. Using compost and seep liquid in the garden

Compost is an excellent soil conditioner and contains nutrients with a long-lasting effect for plants to use. Compost soil is usually divided into two groups based on how mature it is: semi-mature cover soil and mature compost soil.

#### Maturing cover soil into compost soil

When you unload mass from the Biowaste Composter, the mass has usually matured to the cover soil stage. It is recommended that cover soil only be used for covering the growing beds of ornamental plants. If you want to use it for edible plants, you should post-compost it for another year to mature the mass into proper compost soil.

#### Using cover soil

Cover soil refers to semi-mature compost mass. The decomposition process has progressed to a stage in which food waste has decomposed. Harder wood matter and eggshells and citrus fruit peels, for example, may still be visible, so cover soil looks coarse. Semi-mature compost may still contain substances that will impede growth and germination, so it should not be used as a growing medium. Cover soil is not harmful to plants when spread to cover the beds of ornamental plants in a layer of a couple of centimetres. This will allow the nutrients contained in the compost to release for the plants to use.

#### 6.1 Using mature compost soil

The fertilizing effect of compost depends on its raw materials. The nutritional value of compost made from household waste is usually higher than compost made from gardening waste. Compost soil alone does not make for a good substrate; instead, you should add one-third to half of mineral soil, such as sand, silt, loam or clay.

#### 6.2 Using seep liquid

If you use a hose connected to the composter's seep liquid opening to collect excess seep liquid from the bottom of the composter, you can utilise it in the garden. The seep liquid contains nutrients which plants can readily use.

- Use seep liquid diluted with water (minimum ratio 1:2) when watering your garden plants.
- You can also recycle seep liquid in your Biowaste Composter by pouring it back into the compost mass from the top. Add some bulking agent and absorb a maximum of 5 litres of liquid per day. If the mass is already wet, do not moisten it further with seep liquid.

## 7. Troubleshooting

#### 7.1 Rotten odour

If the composter has an odour of rot or decay, the compost mass is too dense or wet, or there is no oxygen inside the composter.

- Make sure that you are using bulking material suitable for a composter.
- Make sure that you have used enough Biolan Bulking Material.
- Temporarily increase the amount of bulking material until the compost mass is no longer too wet.
- Remember to open and empty biodegradable bags before you place them in the composter.
- Unload some of the wet compost mass from the bottom of the composter (see Chapter 5.2). Place a couple of centimetres of the mass around your ornamental plants. The unpleasant odour will dissipate in a few days. Add a couple of shovelfuls of Biolan Bulking Agent to the bottom of the composter through the unloading door (part 5). Compact the mass and mix plenty of Biolan Bulking Agent in it.

#### 7.2 Ammonia odour

If the composter smells like pungent ammonia, the compost mass is releasing nitrogen. If there is too much of nitrogen in relation to carbon, the micro-organisms will not be able to utilise it.

- Make sure that you have not added too much materials containing nitrogen, such as urine or chicken poop, in the composter. Stop adding too much nitrogen into the composter.
- Do not put any ash or lime in the composter.
- Make sure that you are using bulking material suitable for a composter.
- Make sure that you have used enough Biolan Bulking Material.
- Temporarily increase the amount of bulking material you use when loading the composter until the unpleasant odour disappears.
- Mix the compost mass.

#### 7.3 Composting process does not start

- Mix the top of the compost mass and look through the unloading door to make sure that the mass is suitably moist.

#### If the mass is suitably moist:

1. The composting process has not started yet (see Chapter 4.1). Continue loading the composter normally.
2. The volume of waste is so low that the temperature inside the composter is not high enough. It will take longer for the waste to become compost. Continue using the composter normally. Whether there is enough time for the waste to compost before you unload the composter is more important than a high temperature. If you want to speed up the composting process, add more nitrogen. You can use a starter agent designed for composters, for example.
3. The mass at the bottom of the composter has composted to a stage where it is no longer hot. Unload some of the compost mass and continue using the composter.

**The compost mass is too wet:**

- Make sure that you are using bulking material suitable for a composter.
- Make sure that you have used enough Biolan Bulking Material.
- Temporarily increase the amount of bulking material until the compost mass is no longer too wet.
- Remove the wettest part of the compost mass from the bottom of the composter. Add a couple of shovelfuls of Biolan Bulking Agent to the bottom of the composter through the unloading door. Compact the mass from the top and mix plenty of Biolan Bulking Agent in it.
- In future, make sure that the compost mass does not get too wet.

**The compost mass is too dry:**

- Use warm water to wet the mass.
- Remove the excessively dry waste from the bottom of the composter, wet it and place it back into the composter.
- In future, make sure that the compost mass remains moist enough.

**7.4 Compost mass freezes over**

- Act before the compost mass completely freezes over. If the composter is full, unload some of the mass also in the wintertime.
- Prevent freezing by using the composter (= loading and unloading it) to keep the micro-organisms active. See Chapters 5 and 5.1-5.4.
- Make sure that the composter is always fairly full in the wintertime; only unload small quantities of compost mass at a time.
- Pay attention to how moist the compost mass is: wet compost mass will freeze up more easily (see Chapter 7.3).
- Use plenty of Biolan Bulking Agent in the wintertime. You can add a starter agent to the surface layer to promote the composting process. Cover it with a layer of bulking agent.
- Pile some snow around the composter to keep it warmer.
- Warm the compost mass by, for example, placing a ten-litre canister filled with hot water inside the top layer and replacing the water sufficiently often.

**7.5 Compost mass is too dense**

- Add plenty of Biolan Bulking Agent. Mix the bulking agent into the compost mass.
- In future, use more of the bulking agent and make sure not to create dense layers of grass, root vegetable peels, leaves, etc. when loading the composter.

**7.6 Flies or fly larvae in the composter**

If the mass is too wet, there is a chance that the compost contains flies. Fly larvae are white worms with a black head. They are approximately one centimetre in length. Also see Chapter 7.3.

- Add plenty of Biolan Bulking Agent, mix it into the compost mass and use more of the bulking agent in future.
- Mix the topmost part of the compost mass into the rest of the mass. Fly larvae will die when the temperature reaches approximately +43°C.
- Add a layer of approximately 2 cm of the bulking agent on top. In future, make sure that any meat and fish scraps, in particular, are properly covered.
- Carefully flush the inner walls and lid of the composter with hot water to destroy any eggs and larvae.
- You can also spray pesticide containing pyrethrin as the active ingredient in the compost to prevent flies. Contact your garden supply store for advice on how to select a suitable product.

**7.7 Ants in the composter**

The composter includes food and a good environment for ants, which means that it is difficult to keep them away. Ants usually like to make their home in the compost mass at the bottom of the composter that is cooling down. The ants will not harm the composting process.

- Make sure that the compost mass is not too dry.
- Unloading small amounts of the compost mass regularly will stop the ants from becoming too comfortable in their surroundings.

**7.8 Mould in the composter**

Mould is one of the decomposers in a composter, and the presence of mould in a composter is normal.

- Do not remove the mould.
- Continue using the composter normally.

**7.9 Fungi in the composter**

Fungi digest wood in the compost mass, such as the rough part of the bulking material, and the presence of fungi in a composter is normal.

- Leave the fungi alone: they will disappear on their own.
- Continue using the composter normally.

**Product disposal**

The materials that the product is made of are indicated in the parts list (p. 4). Dispose of each part appropriately. Always follow the regional and collection-point specific instructions.



Waste-to-energy collection or plastics recycling:  
 EPDM = ethylene propylene  
 PE = polyethylene  
 PP = polypropylene  
 EPP = Expanded polypropylene

Energy waste collection:  
 PU = polyurethane  
 Silicone

Metal recycling:  
 RST = stainless steel

Waste paper collection:  
 Paper

**Warranty**

**Biolan Biowaste Composter has a warranty of one (1) year.**

1. The warranty is valid from the date of purchase and covers any material defects in materials and workmanship. The warranty does not cover any indirect damage.
2. Biolan Oy reserves the right to either repair or replace damaged parts at its discretion.
3. Any damage resulting from careless or forcible handling of the device, failure to observe the operating instructions, or normal wear and tear are not covered by this warranty.

For warranty-related matters, please consult Biolan Oy directly.

# Biowaste Composter

## Bruksanvisning

Biolan Biowaste Composter är avsedd för kompostering av köksavfall året om. Den värmeisolerade konstruktionen och det effektiva luftväxlingssystemet producerar kompost snabbt. Biolan Biowaste Composter är dimensionerad för en familjs bioavfall. När Biolan Biowaste Composter används på rätt sätt komposteras massan effektivt och kompostorn är bekväm att använda och tömma.

**SV**

### Innehåll

Mått	8
Delförteckning	9
1. Tillstånd och bestämmelser som gäller kompostering	10
2. Placering av kompostorn	10
3. Före ibruktagande	10
3.1. Anslutning av sippervattenslang och ledning av vätska	10
4. Ibruktagande	10
4.1. Komposteringsprocessen börjar	10
5. Användning av Biolan Biowaste Composter	10
5.1. Påfyllning	10
5.2. Tömning	10
5.3. Att observera under den kalla årstiden	11
5.4. Rengöring av Biolan Biowaste Composter	11
6. Användning av kompost och sippervatten i trädgården	11
6.1. Användning av mogen kompostmylla	11
6.2. Användning av sippervatten	11
7. Eventuella problemsituationer	11
7.1. Rutten lukt	11
7.2. Ammoniaklukt	11
7.3. Komposteringsprocessen börjar inte	11
7.4. Kompostmassan fryser	12
7.5. Kompostmassan är för tätt packad	12
7.6. Det finnsflugor eller fluglarver i kompostorn	12
7.7. Det finns myror i kompostorn	12
7.8. Det finns mögel i kompostorn	12
7.9. Det finns svamp i kompostorn	12
Kassering av produkten	12
Garantiärenden	12



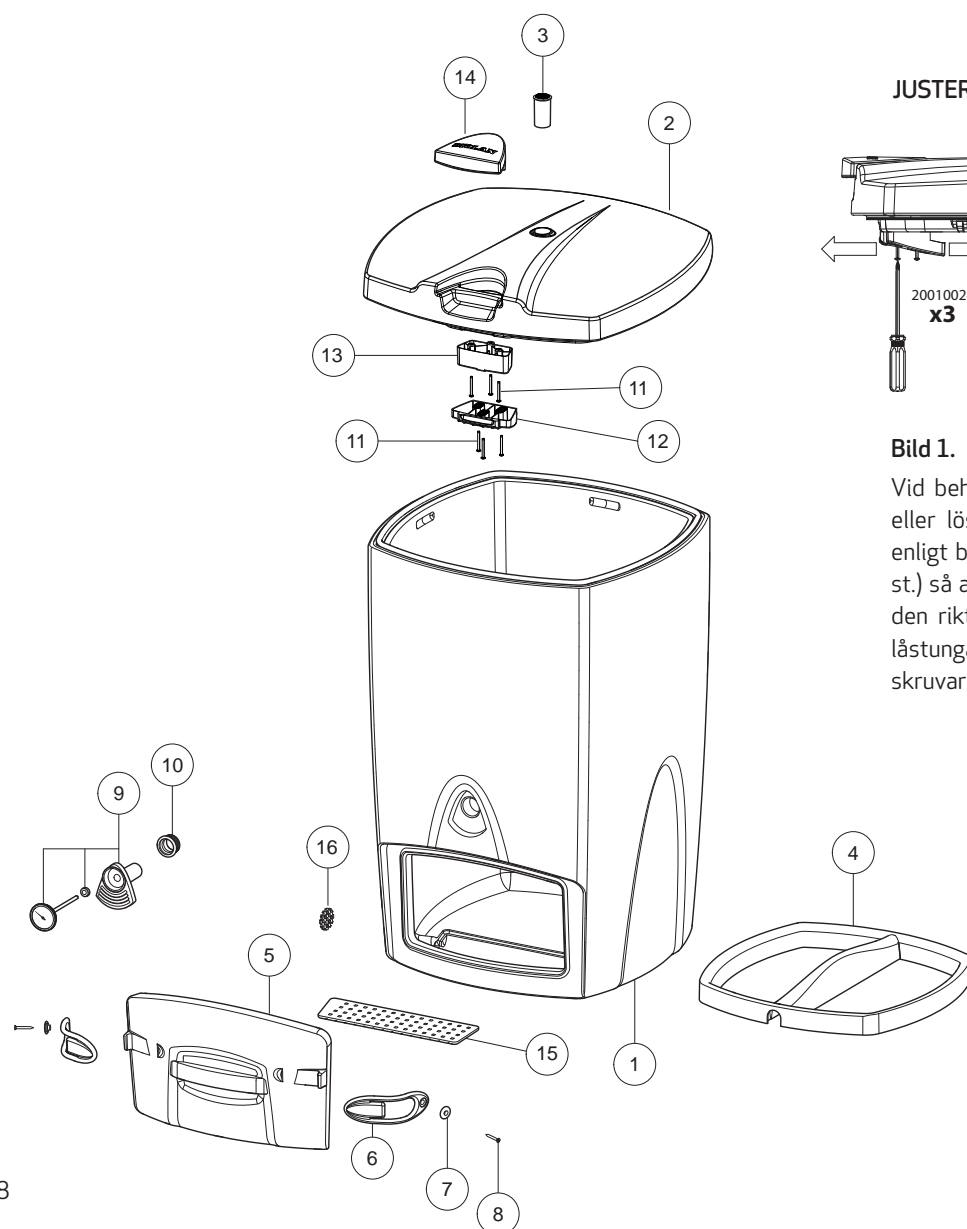
### Mått

volym cirka	200 l
kapacitet beroende på avfallsmängd och -kvalitet	1-6 personer
bottenyta (b x d)	54 x 54 cm
lockets yta (b x d)	62 x 63 cm
kompostorns höjd	100 cm
arbets höjd	91 cm
tom kompostor, vikt cirka	21 kg
fylld kompostor, vikt	100-150 kg
lockets vikt när det öppnas	1.5 kg
sippervattenhålets diameter	32 mm

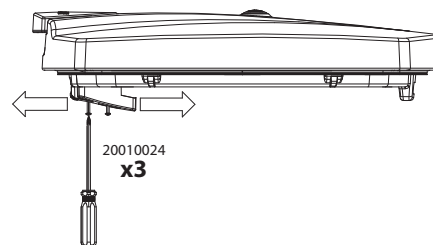
## Delförteckning

Del	Benämning	Delnr	Material
1	Stomme	17792901	PE + PU
2	Lock	17710040	EPP
3	Frånluftsventil	18710400	PP
4	Luftkanal	18792003	PE
5	Tömningslucka	18790950	PE + PU
6	Regel till tömningslucka	18710370	EPDM
7	Bricka till gummilås	18726140	PE
8	Skruv till tömningsluckans regel	20010023	RST
9	Tilluftsventil	18792903	PE
	Tätning		Silicon
	Termometer		RST
10	Gummigenomföring 30/40	19780050	EPDM
11	Skruv till handtagsfäste	20010024	RST
12	Låstunga	18704098	PP
13	Låsbit	18704097	PP
14	Handtag	18704095	PP
15	Vätskeseparerings-skiva	18710141	PE
16	Skydd mot gnagare	21900020	RST
	Förutom delarna på bilden ingår:		
	Bruksanvisning	27579070	Papper
Monterad	Tätning till lock	19733220	Silicon
Monterad	Tätning till tömningslucka	19733210	PE

SV



### JUSTERING AV LÅSET PÅ LOCKET



#### Bild 1.

Vid behov går det att justera hur hårt eller löst åtskruvat låset på locket är enligt bild 1. Lossa lite på skruvarna (3 st.) så att låstungan (del nr 12) rör sig i den riktning som pilarna visar. Placera låstungan i lämpligt läge och spänn skruvarna.



## 1. Tillstånd och bestämmelser som gäller kompostering

Tillstånden och bestämmelserna som gäller kompostering varierar från land till land, men också från kommun till kommun. Kontrollera med miljöförvaltningen i din kommun vilka bestämmelser som gäller.

## 2. Placering av kompostorn

Placera Biowaste Composter på ett ställe dit det är enkelt att föra avfall och där det är enkelt att tömma kompostorn året om.

Placera kompostorn på bärande underlag på ett ställe där det inte samlas vatten. Placera kompostorn så att den står vågrätt.

Det finns ett hål för sippervatten nedtill på vänstra sidan på Biowaste Composter genom vilket eventuell överflödigt vätska dräneras från kompostorn. Placera kompostorn direkt på marken så att eventuellt sippervatten kan absorberas i marken. Alternativt kan du samla upp sippervattnet (se punkt 3.1.).

Om kompostmassan är exceptionellt våt, kan det rinna sippervatten även från tömningsluckans (del 5) undersida eller sippra genom tilluftsventilen i framväggen (del 9).

## 3. Före ibruktagande

Placera vätskesepareringskivan (del 15) på sin plats i fördjupningen (sippervattenrännan) i botten av kompostorn. Skivans uppgift är att separera eventuellt överflödigt vätska från kompostmassan. Skivan kan vid behov lösgöras och rengöras.

### 3.1. Anslutning av sippervattenslang och ledning av vätska

Det finns ett hål för sippervatten nedtill på vänstra sidan på Biowaste Composter genom vilket eventuell överflödigt vätska dräneras från kompostorn och absorberas i marken. Om du vill kan du leda sippervattnet till ett uppsamlingskärl, men det är inte obligatoriskt. Sippervattenhålet nedtill på kompostorns vänstra sida är täckt med ett skydd mot gnagare som du ska avlägsna, till exempel med en skruvmejsel. Anslut en 32 mm vattenslang till sippervattenhålet nedtill på kompostorns vänstra sida. Led slangen till en dunk som är placerad så att vätskan rinner nedåt.

## 4. Ibruktagande

Lägg ett 5 centimeter tjockt lager, cirka 20 liter, med Biolan-strö på botten.

Börja fylla kompostorn enligt punkt 5. Använd mer generöst med strömateriale än rekommenderat under den första påfyllningen. Du kan minska strömmängden senare.

### 4.1. Komposteringsprocessen börjar

Komposteringsprocessen börjar då det finns tillräckligt med avfall i kompostorn, dvs. när den är fylld ungefär till hälften. Avfallet når täckkompostfasen redan inom 5–8 veckor efter starten. Starten kan dröja om uteluftens temperatur är under 0 °C. Temperaturen i kompostorn höjs och upprätthålls av livsfunktionerna hos de mikroorganismer som utvecklas då avfall tillsätts regelbundet. Kompostorns isolering håller värmen inne i kompostorn och förhindrar att massan kyls av uteluften.

Det bästa beviset på att kompostorn fungerar bra är att den kompostmassa som töms ut är av god kvalitet. I en välfungerande kompostor har allt avfall utom skal av citrusfrukter och äggskal brutits ned.

## 5. Användning av Biolan Biowaste Composter

Kompostorn är avsedd för biologiskt nedbrytbart avfall. Lägg inte något sådant i kompostorn som förhindrar komposteringen eller som inte komposteras, till exempel:

- plast, gummi, glas, läder
- kemikalier, rötskydds- och desinfektionsmedel, målarfärg, lösningsmedel, bensin
- tvättmedel, tvättvatten
- kalk
- aska, cigarettfimpar, tändstickor
- dammsugarpåsar
- färgat reklampapper
- stora mängder med papper på en gång

### 5.1. Påfyllning

- Töm bioavfallskärlet i kompostorn. Ju grövre avfall du lägger i komposten, desto längre tid tar det för avfallet att brytas ned.
- Om du använder biologiskt nedbrytbare påsar, töm dem i kompostorn och lägg själva påsen separat i kompostorn.
- Täck alltid avfallet med Biolan-strö. En lämplig mängd är 1/3–1/2 av den mängd avfall som tillsätts. Använd mer strömateriale om avfallet är vått.
- Fortsätt påfyllningen i den takt som avfall bildas. Sträva efter att lägga avfall i kompostorn flera gånger i veckan. Detta är särskilt viktigt under den kalla tiden på året.
- Luckra upp det färskaste avfallet, dvs. 20–30 cm från ytan. Du behöver inte nödvändigtvis luckra upp avfallet vid varje påfyllning. Ju mera generöst du tillsätter strömateriale, desto mindre behöver massan luckras upp.
- Blanda inte om i kompostorn ända ned till botten. Då finns det risk för att det redan nedkylda nedersta lagret kyler ned den kompostmassa som är i uppvärmningsfasen.

### 5.2. Tömning

- Biowaste Composter ska tömmas året runt. Töm kompostorn när den är nästan full med avfall. Under den kalla tiden på året ska kompostorn tömmas oftare än under den varma. Tömningen gör att syrehalten i kompostorn ökar, vilket ofta får temperaturen att stiga.
- Töm kompostorn i mindre omgångar på vintern. På sommaren kan du tömma mer åt gången, dock högst hälften av innehållet.
- Öppna tömningsluckan (del 5) och gräv ut massa nedre vägen med en spade.
- Rengör också under vätskesepareringskivan (del 15) och försäkra dig om att sippervattenslangen inte är tilltäppt.
- Om den massa som du grävt ut är väldigt våt, ska du tillsätta ett par spadar med Biolan-strö på botten av kompostorn.
- Stäng tömningsluckan.
- Tryck ned massan ovanifrån, till exempel med en spade. Enklart är det att börja från hörnen. Var försiktig så att inte luftkanalen i mitten av kompostorn går sönder.
- Töm sippervattenbehållaren vid behov.

### 5.3. Att observera under den kalla årstiden

Värmen i kompostorn uppstår av att avfallet komposteras. Kompostorn i sig alstrar inte värme. Mikroorganismerna behöver kontinuerligt och regelbundet färskt avfall för att upprätthålla sina livsfunktioner.

Värmeisoleringen i Biowaste Composter hindrar värmen från att läcka ut och bidrar därigenom till kompostorns funktion och att den inte fryser.

- Under den kalla tiden på året är det viktigt att använda kompostorn, dvs. fylla och tömma den. Endast då är förhållandena sådana att mikroorganismerna kan upprätthålla kompostorns funktion.
- Du ska inte minska användningen eller sluta att använda strömateriale under den kalla tiden på året. På vintern är det ännu viktigare att använda rikligt med strömateriale. Våt massa fryser lättare.
- Förvara strömaterialet i ett varmt utrymme skyddat mot regn.
- Kontrollera att luftcirkulationen inte förhindras om antingen tilluftsventilen eller frånluftsventilen (delarna 9 och 3) fryser. Avlägsna is vid behov.
- Även om massan fryser skadas inte kompostorn, dess delar eller kompostmassan. Kompostmassan fortsätter att brytas ned senast när den smälter.

### 5.4. Rengöring av Biolan Biowaste Composter

- Tvätta inte kompostorn. Olika mögel- och strålsvampar samt mikroorganismer tillhör de nedbrytande organismerna i komposten och bör inte tvättas bort.
- Rengör tilluftsventilen (del 9), frånluftsöppningen och den eventuella sippervattenslangen med vatten vid behov.

## 6. Användning av kompost och sippervatten i trädgården

Kompost är ett utmärkt jordförbättringsmaterial som innehåller långverkande näringsämnen som växterna kan använda. I allmänhet delas kompostmylla in i två kategorier utifrån mognaden: halvmogen täckkompost och mogen kompostmylla.

#### Att mogna täckkompost till kompostmylla

Den kompost som töms från Biowaste Composter har i allmänhet mognat till täckkompostfasen. Täckkompost ska enligt rekommendation användas enbart som täckning kring prydnadsväxter. Om du vill använda komposten till ätliga växter ska du efterkompostera den i ytterligare ett år så att den hinner utvecklas till egentlig kompostmylla.

#### Användning av täckkompost

Med täckkompost avses halvmogen kompost. Nedbrytningen har framskridit så långt att matresterna har brutits ned. Hårdare trämaterial samt till exempel äggskal och skal av citrusfrukter har eventuellt ännu inte brutits ned. Därför ser täckkomposten ganska grov ut. Halvmogen kompost kan innehålla ämnen som hindrar plantorna från att gro och växa och bör därför inte användas som växtunderlag. Täckkompost har ingen negativ inverkan på växer när den breddas ut kring prydnadsväxter i ett lager som är ett par centimeter tjockt. På detta sätt frigörs näringsämnena i komposten så att växterna kan använda dem.

### 6.1. Användning av mogen kompostmylla

Kompostens gödselverkan beror på råämnena i den. En kompost av hushållsavfall är med tanke på näringsvärdet i allmänhet bättre än en kompost som baserar sig på trädgårdsavfall. Enbart kompostmylla är inte ett bra växtunderlag, utan den ska blandas med 1/3–1/2 mineraljord, till exempel sand, mo, mjåla eller lera.

### 6.2. Användning av sippervatten

Om du har samlat upp det överflödiga sippervattnet från kompostorns botten genom en slang som du har anslutit till sippervattenhålet, kan du utnyttja den. Sippervatten innehåller näringsämnen i användbar form för växter.

- Använd sippervattnet utspätt med vatten minst i förhållandet 1:2 för bevattning av trädgårdsväxter.
- Du kan även återanvända sippervattnet genom att hålla det över massan i Biowaste Composter den övre vägen. Tillsätt strömateriale och håll i högst 5 liter/dygn. Om massan redan är våt ska du inte väta den ytterligare med sippervatten.

## 7. Eventuella problemsituationer

### 7.1. Rutten lukt

Om det luktar ruttet i kompostorn är massan för tätt packad och för fuktig och syret har tagit slut.

- Kontrollera att det strömateriale du använder lämpar sig för kompostering.
- Kontrollera att du har använt tillräckligt med Biolan-strö.
- Använd tillfälligt mer strömateriale för att återställa rätt fukthalt.
- Om du använder biologiskt nedbrytbara påsar ska du tömma dem i kompostorn innan du lägger själva påsen i kompostorn.
- Töm ut våt massa ur kompostorn nedre vägen (se punkt 5.2.). Bred ut den kring prydnadsväxter i ett lager som är ett par centimeter tjockt. Den obehagliga lukten försvinner inom några dagar. Tillsätt ett par spadar med Biolan-strö på botten av kompostorn genom tömningsluckan (del 5). Tryck ned massan uppifrån och blanda den med en generös mängd Biolan-strö.

### 7.2. Ammoniaklukt

Om kompostorn har en stickande lukt av ammoniak frigörs det kväve från massan. Om mängden kväve i förhållande till kol är för hög hinner mikroorganismerna inte utnyttja det.

- Kontrollera att det inte har lagts stora mängder av kvävehaltigt material i kompostorn, till exempel urin eller hönsgödsel. Sluta att lägga material med för hög kvävehalt i kompostorn.
- Tillsätt inte aska eller kalk i kompostorn.
- Kontrollera att det strömateriale du använder lämpar sig för kompostering.
- Kontrollera att du har använt tillräckligt med Biolan-strö.
- Använd tillfälligt mer strömateriale vid påfyllningen tills lukten försvinner.
- Luckra upp komposten.

### 7.3. Komposteringsprocessen börjar inte

- Försäkra dig om att massan är lagom fuktig genom att vända ytan och titta in genom tömningsluckan.

#### Fuktigheten är lämplig =>

1. Komposteringen har ännu inte satt i gång (se punkt 4.1.). Fortsätt att fylla på som vanligt.
2. Mängden avfall är så liten att temperaturen inte stiger tillräckligt högt. Avfallet komposteras långsammare. Fortsätt användningen som vanligt. Mer avgörande än hög temperatur är om avfallet hinner brytas ned före tömningen. Om du vill påskynda komposteringen, tillsätt kväve i komposten, till exempel en kompostaktivator.
3. Massan på kompostorns botten har brutits ned så långt att den heta fasen är över. Töm kompostorn och fortsätt användningen.

**Kompostmassan är för våt =>**

- Kontrollera att det strömesterial du använder lämpar sig för kompostering.
- Kontrollera att du har använt tillräckligt med Biolan-strö.
- Använd tillfälligt mer strömesterial för att återställa en lämplig fukthalt.
- Töm ut den våtaste massan ur kompostorn nedre vägen. Tillsätt ett par spadar med Biolan-strö på botten av kompostorn genom tömningsluckan. Tryck ned massan uppifrån och blanda den med en generös mängd Biolan-strö.
- Se i fortsättningen till så att massan inte blir för våt.

**Kompostmassan är för torr =>**

- Vattna med varmt vatten.
- Återför det för torra avfallet från botten efter vattning till kompostorn.
- Se i fortsättningen till att massan är tillräckligt fuktig.

**7.4. Kompostmassan fryser**

- Agera innan kompostmassan är genomfrost. Om kompostorn är full, töm den även på vintern.
- Förebygg frysning genom tillräckligt flitig användning (=påfyllning och tömning) som upprätthåller mikroorganismernas aktivitet. Se punkterna 5. och 5.1.-5.4.
- Håll kompostorn relativt full på vintern och töm små mängder åt gången.
- Håll koll på kompostmassans fuktighet: våt massa fryser lättare (se punkt 7.3.).
- Använd rikligt med Biolan-strö på vintern. Tillsätt till exempel en kompostaktivator i kompostens ytskikt. Täck det med strömesterial.
- Samla snö kring kompostorn för extra värmeisolering.
- Värm upp massan genom att sänka ned till exempel en 10-litersdunk fylld med varmt vatten i ytskiktet av kompostmassan och byta till varmt vatten tillräckligt ofta.

**7.5. Kompostmassan är för tätt packad**

- Tillsätt rikligt med Biolan-strö. Blanda strömesterial med massan.
- Använd i fortsättningen strömesterial mera generöst och se vid påfyllningen till att det inte bildas några täta lager av till exempel gräs, rotsaksskal eller löv.

**7.6. Det finns flugor eller fluglarver i kompostorn**

Flugor är mera benägna att söka sig till komposten om massan är för våt. Fluglarver är cirka en centimeter långa vita maskar med svart huvud. Se även punkt 7.3.

- Tillsätt rikligt med Biolan-strö och blanda om. Använd mer strömesterial i fortsättningen.
- Vänd ytskiktet djupare ned i komposten. Fluglarver dör vid en temperatur på cirka 43 °C.
- Tillsätt ett cirka 2 cm tjockt lager av strömesterial på ytan. Se i fortsättningen till att i synnerhet kött- och fiskrester har täckts över ordentligt.
- Spola försiktigt kompostorns innerväggar och lock med hett vatten så att ägg och larver förstörs.
- Om du vill kan du bli av med flugor genom att spreja dem med ett bekämpningsmedel som har pyretrin som aktiv ingrediens. Fråga i din trädgårdsbutik om du behöver hjälp med att välja bekämpningsmedel.

**7.7. Det finns myror i kompostorn**

Det finns föda och gynnsamma förhållanden för myror i kompostorn, vilket gör att det är svårt att hålla dem borta därifrån. Vanligtvis trivs myrorna i den nedre delen av en kompost som är i avkylningsfasen. Myrorna har ingen negativ inverkan på komposteringen.

- Försäkra dig om att kompostorn inte är för torr.
- Du kan störa myrornas tillvaro genom att regelbundet tömma ut små mängder kompost.

**7.8. Det finns mögel i kompostorn**

Mögel ingår i de organismer som bryter ned komposten och är vanligt förekommande i kompost.

- Avlägsna inte mögel.
- Fortsätt att använda kompostorn som vanligt.

**7.9. Det finns svamp i kompostorn**

Svampar bryter ned trämaterial i komposten, till exempel grova ämnen i strömesterial, och är vanligt förekommande i kompost.

- Låt svamparna vara i komposten, de försvinner av sig själva.
- Fortsätt att använda kompostorn som vanligt.

**Kassering av produkten**

Tillverkningsmaterialen framgår av delförteckningen (s.9). Kassera alla delar på vederbörligt sätt. Följ alltid anvisningarna för din region och miljöstation.



PE-LD



PE-HD



PP

Till insamling av energiavfall eller återvinning av plast:

EPDM = etenpropen

PE = polyeten

PP = polypropen

EPP = Expanderad polypropylen

Till insamling av energiavfall:

PU = polyuretan

Silicon

Till metallinsamling:

RST = rostfritt stål

Till pappersinsamling:

Papper

**Garantiärenden****Biolan Biowaste Composter har ett (1) års garanti.**

1. Garantin träder i kraft på inköpsdagen och gäller eventuella material- och tillverkningsfel. Garantin täcker inte eventuella indirekta skador.
2. Biolan Oy förbehåller sig rätten att bestämma om den defekta delen ska repareras eller byts ut.
3. Skador som orsakas av vårdslös eller hårdhänt hantering av kompostorn, att bruksanvisningen inte har följts eller normalt slitage omfattas inte av denna garanti.

I garantiärenden ska du vänligen vända dig direkt till Biolan Oy.

# Hurtigkompost

## Bruksanvisning

Biolan Hurtigkompost er laget for kompostering av kjøkkenavfall året rundt. Den isolerte kompostbeholderen med et effektivt ventilasjonssystem, produserer kompost raskt. Biolan Hurtigkompost er dimensjonert for organisk avfall fra én familie. Hvis Biolan Hurtigkompost brukes på riktig måte, blir massen effektivt kompostert, noe som gir en mer behagelig opplevelse ved bruk og tømning.

**NO**

### Innhold

Mål	13
Deleliste	14
1. Tillatelser og bestemmelser for kompostering	15
2. Velge riktig plassering for kompostbeholder	15
3. Før bruk	15
3.1 Feste slangen for sivevann og drenerer væske	15
4. Klargjøring	15
4.1 Starte komposteringsprosessen	15
5. Bruke Biolan Hurtigkompost	15
5.1 Påfylling	15
5.2 Tømming	15
5.3 Problemer å ta hensyn til i den kalde årstiden	16
5.4 Rengjøre Biolan Hurtigkompost	16
6. Bruke kompost og sivevann i hagen	16
6.1 Bruke moden kompostjord	16
6.2 Bruke sivevann	16
7. Feilsøking	16
7.1 Råtten lukt	16
7.2 Ammoniakkluft	16
7.3 Komposteringsprosessen starter ikke	16
7.4 Kompostmassen fryser	17
7.5 Kompostmassen er for sammenpakket	17
7.6 Fluer eller fluelarver i kompostbeholderen	17
7.7 Maur i kompostbeholderen	17
7.8 Mugg i kompostbeholderen	17
7.9 Sopp i kompostbeholderen	17
Kassering av produktet	17
Garanti	17



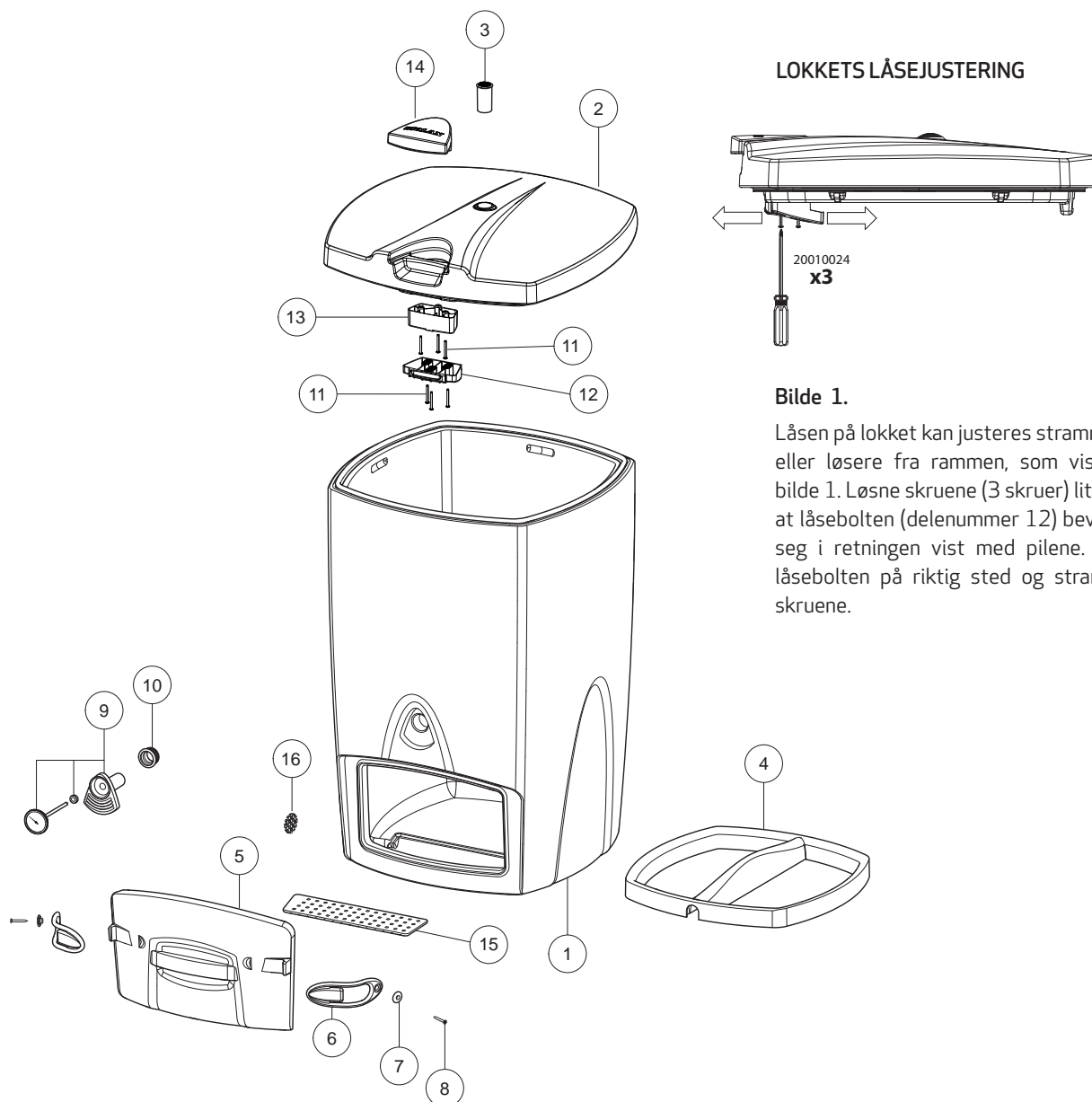
### Mål

Volumet er ca.	200 liter
med kapasitet for avhengig av volum og avfallstype	1–6 personer
Bunn (b x d)	54 x 54 cm
Lokk (b x d)	62 x 63 cm
Total høyde på kompostbeholder	100 cm
Arbeidshøyde	91 cm
Vekt når tom, ca.	21 kg
Vekt når full, ca.	100–150 kg
Vekt på logg når åpnet	1.5 kg
Diameter på åpning for sivevann	32 mm

## Deleliste

Del	Navn	Delenummer	Material
1	Ramme	17792901	PE+PU
2	Lokk	17710040	EPP
3	Avtrekkventil	18710400	PP
4	Luftekanal	18792003	PE
5	Tømmeluke	18790950	PE+PU
6	Lås	18710370	EPDM
7	Skive for låsestropp i gummi	18726140	PE
8	Skrue til lås	20010023	RST
9	Luftinntaksventil	18792903	PE
	Pakning		Silikon
	Termometer		RST
10	Gjennomføringsgummi 30/40	19780050	EPDM
11	Skrue for å feste håndtak	20010024	RST
12	Låsebolt	18704098	PP
13	Låsedel	18704097	PP
14	Håndtak	18704095	PP
15	Væskeseparasjonsplate	18710141	PE
16	Gnagerbeskyttelse	21900020	RST
I tillegg til delene på bildet inneholder kompostbeholderen følgende:			
	Bruksanvisning	27579070	Papir
Montert	Pakning for lokk	19733220	Silikon
Montert	Pakning for tømmeluke	19733210	PE

**NO**



### LOKKETS LÅSEJUSTERING

#### Bilde 1.

Låsen på lokket kan justeres strammere eller løsere fra rammen, som vist på bilde 1. Løsne skruene (3 skruer) litt slik at låsebolten (delenummer 12) beveger seg i retningen vist med pilene. Sett låsebolten på riktig sted og stram til skruene.

## 1. Tillatelser og bestemmelser for kompostering

Tillatelser og bestemmelser som gjelder kompostering, varierer avhengig av land og kommune. Undersøk med miljømyndighetene i din kommune for å få informasjon om hvilke bestemmelser som gjelder der.

## 2. Velge riktig plassering for kompostbeholder

Plasser Biolan Hurtigkompost på et sted der du enkelt kan fylle og tømme kompostbeholderen året rundt.

Sett kompostbeholderen på fast underlag på et sted med god drenering. Kontroller at kompostbeholderen er i vater.

Biolan Hurtigkompost har en åpning for sivevann nederst på venstre side for å drenere eventuell overflødig væske. Plasser kompostbeholderen direkte på bakken, slik at jorden absorberer eventuelt sivevann. Du kan også samle opp sivevannet (se kapittel 3.1).

Hvis kompostmassen er svært våt, kan det renne ut sivevann fra undersiden av tømmeluken (del 5) eller gjennom ventilen for inntak av luft på forsiden av kompostbeholderen (del 9).

## 3. Før bruk

Plasser væskeparasjonsplaten (del 15) i fordypningen som er plassert i bunnen av kompostbeholderen (drenering av sivevann). Med væskeparasjonsplaten blir eventuell overflødig væske skilt ut fra kompostmassen. Platen kan tas av og rengjøres om nødvendig.

### 3.1 Feste slangen for sivevann og drenere væske

Biolan Hurtigkompost har en åpning for sivevann nederst på venstre side, slik at overflødig væske kan renne ut av kompostbeholderen og absorberes i bakken. Du kan samle opp sivevannet i en beholder hvis du vil, men dette er ikke nødvendig. Fjern gnagerbeskyttelsen fra åpningen for sivevann, som er plassert nederst langs kanten av kompostbeholderen, for eksempel med en skrutrekker. Koble en vannslange med en diameter på 32 mm, til åpningen for sivevann, som er plassert nederst langs kanten av kompostbeholderen. Plasser den andre enden av slangen i en beholder som er plassert slik at væsken renner nedover.

## 4. Klargjøring

Legg et 5 cm lag med Biolan-strømateriale i bunnen av kompostbeholderen.

Begynn å bruke kompostbeholderen slik det er beskrevet i kapittel 5. Når du fyller på avfall i kompostbeholderen for første gang, må du bruke mer strømateriale en anbefalt. Du kan redusere mengden senere.

### 4.1 Starte komposteringsprosessen

Komposteringsprosessen starter når det er nok avfall i kompostbeholderen, det vil si når kompostbeholderen er ca. halvfull. Når prosessen har startet, blir avfallet omdannet til dekkjord i løpet av ca. 5–8 uker. Starten av prosessen kan være tregere hvis utetemperatur er under 0 °C. Mikroorganismepopulasjonen som vil utvikle seg i kompostbeholderen, vil øke temperaturen i beholderen og holde den på dette nivået, forutsatt at avfall påfylles regelmessig. Kompostbeholderens isolasjonsmateriale vil holde på varmen og hindre at utendørsluft kjøler ned kompostmassen.

Den beste indikator på en velfungerende kompostbeholder er kvaliteten på kompostmassen når beholderen tømmes. Hvis kompostbeholderen fungerer slik den skal, vil avfallet være nedbrutt, unntatt skrell av sitrusfrukter eller eggskall, som fortsatt kan gjenkjennes.

## 5. Bruke Biolan Hurtigkompost

Kompostbeholderen er bare beregnet på biologisk nedbrytbart avfall. Ikke plasser noe i kompostbeholderen som kan hemme komposteringsprosessen eller som ikke kan komposteres, for eksempel:

- plast, gummi, glass, skinn
- kjemikalier, treimpregneringsmidler og desinfeksjonsmidler, maling, løsemidler, bensin
- vaskemidler, vaskevann
- kalk
- aske, sigarettstumper, fyrstikker
- støvsugerposer
- farget reklamepapir
- store mengder papir

### 5.1 Påfylling

- Tøm bioavfallet i kompostbeholderen. Vær oppmerksom på at jo større biter avfall du legger i kompostbeholderen, desto lengre tid vil det ta før de brytes ned.
- Hvis du bruker biologisk nedbrytbare avfallsposer, må du tømme ut posens innhold i kompostbeholderen og legge i posen separat.
- Dekk alltid avfallet med Biolan-strømateriale. En passende mengde er ca. 1/3–1/2 av mengden avfall som legges i kompostbeholderen. Hvis avfallet er fuktig, må det brukes mer strømateriale.
- Fortsett å fylle på avfall i kompostbeholderen etter hvert som du har mer avfall. Prøv å fylle på mer avfall i kompostbeholderen flere ganger i uken. Dette er spesielt viktig i den kalde årstiden.
- Bland i den nyeste kompost ned til ca. 20–30 cm fra overflaten. Du behøver ikke å blande komposten etter hver påfylling. Jo mer strømateriale du bruker, desto mindre må massen blandes.
- Bland ikke kompostmassen helt ned til bunnen for å hindre at det allerede avkjølte nederste laget kjøler ned kompostmassen som ennå er varm.

### 5.2 Tømming

- Biolan Hurtigkompost må tømmes året rundt. Tøm kompostbeholderen når den er nesten full, og oftere i den kalde årstiden enn i den varme årstiden. Når kompostbeholderen er tømt, er det mer oksygen i den, og dette vil ofte øke temperaturen i beholderen.
- Om vinteren må du bare fjerne litt av kompostmassen om gangen. Om sommeren kan du fjerne mer, men tøm alltid mindre enn halvparten av kompostmassen.
- Åpne tømmeluken (del 5), og fjern litt av massen nederst i kompostbeholderen med en spade.
- Rengjør også området under væskeparasjonsplaten (del 15), og pass på at slangen for sivevann ikke er blokkert.
- Hvis massen du fjernet var svært våt, fyller du på noen spader med Biolan-strømateriale i bunnen av kompostbeholderen.
- Lukk tømmeluken.
- Trykk ned massen fra toppen med for eksempel spaden. Dette er lettere hvis du starter fra hjørnene. Vær forsiktig så du ikke skader kanalen for inntak av luft i midten av kompostbeholderen.
- Tøm beholderen for sivevann ved behov.

### 5.3 Problemer å ta hensyn til i den kalde årstiden

Kompostavfallet genererer varme i kompostbeholderen. Selve kompostbeholderen genererer ikke varme. Mikroorganismer krever ferskt avfall regelmessig for å opprettholde livsfunksjonene. Isolasjonen i Biolan Hurtigkompost hindrer at varmen slipper ut, og dermed fungerer kompostbeholderen bedre og en unngår at kompostmassen fryser.

- Regelmessig bruk av kompostbeholderen, det vil si påfylling og tømning, er svært viktig i den kalde årstiden. Dette er den eneste metoden for å holde forholdene i kompostbeholderen gunstige for mikroorganismene og dermed holde i gang komposteringsprosessen.
- Ikke reduser mengden eller slutt å bruke strømateriale i den kalde årstiden. Bruk av tilstrekkelig strømateriale er spesielt viktig når det er kaldt fordi våt kompostmasse lettere vil fryse.
- Oppbevar strømateriale på et varmt sted der det er beskyttet mot regn.
- Pass på ventilen for inntak og avtrekk av luft (del 9 og 3) for kompostbeholderen ikke fryser, fordi dette hindrer riktig ventilasjon i beholderen. Fjern eventuell is.
- Kompostbeholderen, delene eller kompostmassen skades ikke hvis kompostmassen fryser. Komposteringsprosessen fortsetter når kompostmassen tiner.

### 5.4 Rengjøre Biolan Hurtigkompost

- Ikke vask kompostbeholderen. Forskjellige typer muggsopp og strålesopp er viktige nedbrytende organismer i komposten, og derfor skal du ikke vaske dem bort.
- Bruk vann til å rengjøre ved behov ventilen for inntak av luft (del 9), ventilen for avtrekk av luft (del 3) og slangen for sivevann (hvis montert).

## 6. Bruke kompost og sivevann i hagen

Kompost er et utmerket jordforbedringsmiddel, og den inneholder næringsstoffer med langvarig virkning som planter kan bruke. Kompostjord deles vanligvis inn i to grupper basert på hvor moden den er: halvmoden dekkjord og moden kompostjord.

#### Modne dekkjord til kompostjord

Når du tømmer masse fra Biolan Hurtigkompost, har massen vanligvis modnet til å bli dekkjord. Det anbefales at dekkjord bare brukes under prydplanter. Hvis du vil bruke den til spiselige planter, bør du etterkompostere den i ett år til for å modne massen til god kompostjord.

#### Bruke dekkjord

Med dekkjord menes halvmoden kompostmasse. Nedbrytningen har kommet så langt at matavfall er brutt ned. Hardere trematerialer, eggeskall og skrell av sitrusfrukter kan for eksempel fortsatt være synlig, slik at dekkjorden ser ganske grov ut. Dekkjord kan fortsatt inneholde stoffer som hemmer vekst og spiring, så den bør ikke brukes som vekstmedium. Dekkjord er ikke skadelig for plantene hvis den spres i et lag på noen centimeter under prydplantene. Da frigjøres næringsstoffene i komposten slik at plantene kan nyttiggjøre seg dem.

### 6.1 Bruke moden kompostjord

Den gjødselende effekten av kompost avhenger av råvarene i den. Næringsverdien av kompost laget av husholdningsavfall er vanligvis høyere enn kompost laget av hageavfall. Kompostjord alene er ikke et godt grunnlag. I stedet bør du legge til ca. 1/3–1/2 med mineraljord, for eksempel sand, silt, leirholdig jord eller leire.

### 6.2 Bruke sivevann

Hvis du bruker en slange tilkoblet kompostbeholderens åpning for sivevann til å samle opp overflødig sivevann fra bunnen av beholderen, kan du bruke det i hagen. Sivevannet inneholder næringsstoffer som planter lett kan bruke.

- Bruk sivevann fortynnet med vann (minimumsforhold 1:2) når du vannet hageplantene.
- Du kan også resirkulere sivevann i kompostbeholderen ved å tømme det tilbake i kompostmassen fra toppen. Tilsett litt strømateriale og absorber maksimalt 5 liter sivevann per døgn i det. Hvis massen allerede er våt, må du ikke vanne den mer med sivevann.

## 7. Feilsøking

### 7.1 Råtten lukt

Hvis kompostbeholderen lukter av råte eller forråtnelse, er kompostmassen for sammenpakket eller våt, eller det er ikke oksygen i kompostbeholderen.

- Pass på at du bruker strømateriale som er egnet til kompostbeholdere.
- Pass på at du bruker nok Biolan-strømateriale.
- Øk midlertidig mengden strømateriale til kompostmassen ikke er for våt.
- Husk å åpne og tømme de biologisk nedbrytbare posene før du legger dem i kompostbeholderen.
- Tøm litt av den våte kompostmassen fra bunnen av kompostbeholderen (se kapittel 5.2). Legg noen centimeter av massen rundt prydplantene dine. Den ubehagelige lukten forsvinner i løpet av noen få dager. Fyll på noen spader med Biolan-strømateriale i bunnen av kompostbeholderen gjennom tømmeluken (del 5). Trykk massen sammen, og bland i rikelig med Biolan-strømateriale.

### 7.2 Ammoniakkluft

Hvis komposten har en kraftig lukt av ammoniakk, frigjør den nitrogen. Hvis det er for mye nitrogen i forhold til karbon, kan ikke mikroorganismene bruke det.

- Pass på at du ikke har fylt på for mye materiale i kompostbeholderen som inneholder nitrogen, for eksempel urin eller avføring fra høns. Slutt å fylle på for mye nitrogen i kompostbeholderen.
- Fyll ikke på aske eller kalk i kompostbeholderen.
- Pass på at du bruker strømateriale som er egnet til kompostbeholdere.
- Pass på at du bruker nok Biolan-strømateriale.
- Øk midlertidig mengden strømateriale du bruker når du fyller på kompostbeholderen, til den ubehagelige lukten forsvinner.
- Bland kompostmassen.

### 7.3 Komposteringsprosessen starter ikke

- Bland toppen av kompostmassen, og se gjennom tømmeluken for å forsikre deg om at massen er passe fuktig.

#### Hvis massen er passe fuktig:

1. Komposteringsprosessen har ikke startet ennå (se kapittel 4.1). Fortsett å fylle på kompostbeholderen som vanlig.
2. Avfallsvolumet er så lite at temperaturen i kompostbeholderen ikke er høy nok. Det vil ta lengre tid før avfallet blir til kompost. Fortsett å bruke kompostbeholderen som vanlig. Det er viktigere at det er nok tid til at avfallet komposteres før du tømmer kompostbeholderen, enn at det er høy temperatur. Hvis du vil fremskynde komposteringsprosessen, tilsetter du mer nitrogen. Du kan for eksempel bruke Biolan-kompostakselerator som er laget for kompostbeholdere.
3. Massene i bunnen av kompostbeholderen er kompostert til et stadium hvor den ikke lenger er varm. Tøm litt av kompostmassen, og fortsett å bruke kompostbeholderen.

NO

### Kompostmassen er for våt:

- Pass på at du bruker strømateriale som er egnet til kompostbeholdere.
- Pass på at du bruker nok Biolan-strømateriale.
- Øk midlertidig mengden strømateriale til kompostmassen ikke er for våt.
- Fjern den våteste delen av kompostmassen fra bunnen av kompostbeholderen. Fyll på noen spader med Biolan-strømateriale i bunnen av kompostbeholderen gjennom tømmeluken. Trykk massen sammen fra toppen, og bland i rikelig med Biolan-strømateriale. Sørg for at kompostmassen ikke blir for våt i fremtiden.

### kompostmassen er for tørr:

Bruk varmt vann for å fukte massen. Fjern svært tørr avfall fra bunnen av kompostbeholderen, fukte den og legger den tilbake i beholderen. Sørg for at kompostmassen er fuktig nok i fremtiden.

NO

### 7.4 Kompostmassen fryser

- Gjør noe før kompostmassen fryser. Hvis kompostbeholderen er full, må du tømme litt av massen også om vinteren. Hindre frysing ved hjelp av kompostbeholderen (= påfylling og tømning av den) for å holde mikroorganismene aktive. Se kapittel 5 og 5.1–5.4. Pass på at kompostbeholderen alltid er ganske full om vinteren. Tøm bare små mengder kompostmasse om gangen. Vær oppmerksom på hvor fuktig kompostmassen er: våt kompost fryser enklere (se kapittel 7.3). Bruk rikelig med Biolan-strømateriale om vinteren. Du kan fylle på Biolan-kompostakselerator på overflaten for å fremme komposteringsprosessen. Dekk til med et lag strømateriale. Legg litt snø rundt kompostbeholderen for å holde den varmere. Varm kompostmassen ved for eksempel å plassere en tilters kanne fylt med varmt vann, i topplaget, og skift vannet tilstrekkelig ofte.

### 7.5 Kompostmassen er for sammenpakket

Fyll på rikelig med Biolan-strømateriale. Bland strømateriale i kompostmassen. I fremtiden bruker du mer strømateriale og passer på at du ikke lager tette lag med gress, skrell fra rotgrønnsaker, blader og så videre, når du fyller på kompostbeholderen.

### 7.6 Fluer eller fluelarver i kompostbeholderen

vis massen er for våt, er det større sannsynlighet for at komposten inneholder fluer. Fluelarver er hvite mark med svart hode. er ca. 1 cm lange. Se også kapittel 7.3.

Fyll på rikelig med Biolan-strømateriale, bland det i kompostmassen og bruk mer av strømateriale i fremtiden. Bland den øverste delen av kompostmassen i resten av massen. Fluelarver dør når temperaturen når ca. +43 °C. Dekk til toppen med et ca. 2 cm lag strømateriale. I fremtiden sørger du for at spesielt kjøtt- og fiskeavfall er skikkelig dekket. Skyll forsiktig innerveggene og lokket på kompostbeholderen med varmt vann for å ødelegge eventuelle egg og larver. Du kan også bli kvitt fluene ved å sprøyte dem med et insektmiddel som inneholder pyretrin som aktiv ingrediens. Kontakt din forhandler av hageutstyr for å få råd om hvordan du velger et passende produkt.

### 7.7 Maur i kompostbeholderen

Kompostbeholderen inneholder mat og et godt miljø for maur, og dette betyr at det er vanskelig å holde dem borte. Maur liker vanligvis å bosette seg i kompostmassen som kjøles ned, nederst i kompostbeholderen. Maurene skader ikke komposteringsprosessen.

- Sørg for at kompostmassen ikke blir for tørr.
- Regelmessig tømning av små mengder kompostmasse hindrer at maurene finner seg godt til rette i omgivelsene.

### 7.8 Mugg i kompostbeholderen

Mugg er én av de nedbrytende organismene i en kompostbeholder, og tilstedeværelsen av mugg i beholderen er normalt.

- Fjern ikke muggen.
- Fortsett å bruke kompostbeholderen som vanlig.

### 7.9 Sopp i kompostbeholderen

Sopp fordøyer tre i kompostmassen, for eksempel den grove delen av strømateriale, og tilstedeværelsen av sopp i et kompostbeholderen er normalt.

- La soppene være i fred. Den forsvinner av seg selv.
- Fortsett å bruke kompostbeholderen som vanlig.

### Kassering av produktet

Materialene som produktet er laget av er angitt i delelisten (s. 14). Alle deler skal kasseres på riktig måte. Følg alltid reglene som gjelder for regionen eller innsamlingspunktet.



PE-LD



PE-HD



PP

Til innsamling av energivfall eller plast til gjenvinning:

EPDM = etylen-propylen  
PE = polyetylen  
PP = polypropylen  
EPP = Ekspandert polypropylen

Til innsamling av energivfall:

PU = polyuretan  
Silikon

Til metallinnsamling:

RST = rustfritt stål

Til papirinnsamling:

Papir

### Garanti

**Biolan Hurtigkompost har en garanti på ett (1) år.**

1. Garantien gjelder fra kjøpsdato og dekker eventuelle material- og produksjonsfeil. Garantien dekker ikke eventuelle indirekte skader.
2. Biolan Oy forbeholder seg retten til å bestemme om defekte deler skal repareres eller erstattes.
3. Denne garantien dekker ikke skader som følge av uforsiktig eller tvangshåndtering av enheten, manglende overholdelse av bruksanvisningen eller normal slitasje.

Ta direkte kontakt med Biolan Oy ved garantispørsmål.



# Kompostbeholder til bioaffald

## Brugsanvisning

Biolan kompostbeholder til bioaffald er designet til kompostering af køkkenaffald året rundt. I den termisk isolerede kompostbeholder, der har et effektivt ventilationssystem, sker komposteringen hurtigt. Biolan kompostbeholder til bioaffald er dimensioneret til det bioaffald, der genereres af en enkelt familie. Ved korrekt brug af Biolan kompostbeholder til bioaffald komposteres massen på effektiv vis, hvilket gør brug og tømning af kompostbeholderen mere behagelig.

**DA**

### Indhold

Mål	18
Stykliste	19
1. Komposteringstilladelser og -regulativer	20
2. Valg af korrekt placering af kompostbeholder	20
3. Inden brug	20
3.1 Montering af slange til sivevæske og dræning af væske	20
4. Idriftsættelse	20
4.1 Påbegyndelse af komposteringsprocessen	20
5. Brug af Biolan kompostbeholder til bioaffald	20
5.1 Fyldning	20
5.2 Tømning	20
5.3 Problemer, der skal tages højde for ved koldt vejr	21
5.4 Rengøring af Biolan kompostbeholder til bioaffald	21
6. Brug af kompost og sivevæske i haven	21
6.1 Brug af modnet kompostjord	21
6.2 Brug af sivevæske	21
7. Fejlfinding	21
7.1 Rådden lugt	21
7.2 Ammoniaklugt	21
7.3 Komposteringsprocessen påbegynder ikke	21
7.4 Komposteringsmassen fryser til is	22
7.5 Kompostmassen er for kompakt	22
7.6 Fluer eller fluelarver i kompostbeholderen	22
7.7 Myrer i kompostbeholderen	22
7.8 Mug i kompostbeholderen	22
7.9 Svamp i kompostbeholderen	22
Bortskaffelse af produkt	22
Garanti	22



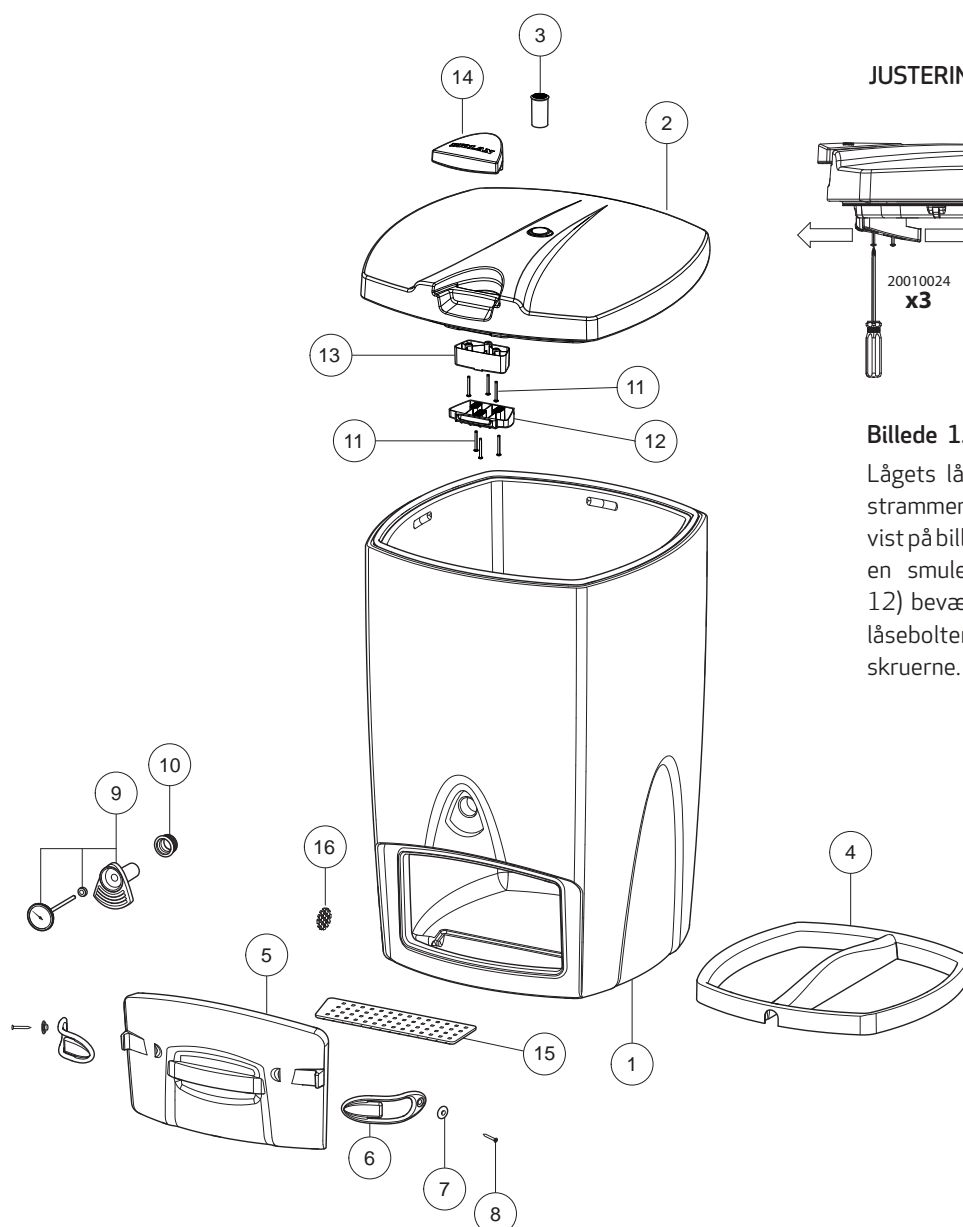
### Mål

Volumen ca	200 liter
Kapacitet, afhængigt af mængden og typen af affald	1-6 personer
Bund (b x d)	54 x 54 cm
Låg (b x d)	62 x 63 cm
Kompostbeholderens samlede højde	100 cm
Arbejdshøjde	91 cm
Vægt i tom tilstand ca.	21 kg
Vægt i fyldt tilstand ca.	100-150 kg
Lågets vægt, når det er åbnet	1.5 kg
Diameter på åbning til sivevæske	32 mm

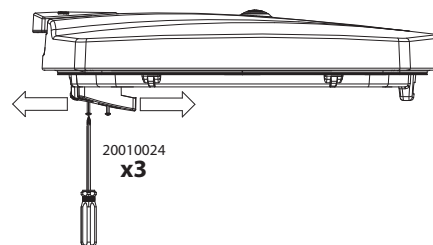
## Stykliste

Del	Vare	Delnummer	Materiale
1	Ramme	17792901	PE+PU
2	Låg	17710040	EPP
3	Ventil til aftræksluft	18710400	PP
4	Kanal til indsugningsluft	18792003	PE
5	Dør til tømning	18790950	PE+PU
6	Smæklås	18710370	EPDM
7	Spændeskive til øjebolt i gummistrop	18726140	PE
8	Øjebolt	20010023	RST
9	Ventil til indsugningsluft	18792903	PE
	Dichtungsring		Silikon
	Thermometer		RST
10	Gennemløbsstykke af gummi	19780050	EPDM
11	Skrue til fastspænding af håndtag	20010024	RST
12	Låsebolt	18704098	PP
13	Låsestykke	18704097	PP
14	Håndtag	18704095	PP
15	Plade til adskillelse af væske	18710141	PE
16	Afskærmning mod gnavere	21900020	RST
	Udover de dele, der er vist i detaljer, inkluderer kompostbeholderen følgende:		
	Brugsanvisning	27579070	Papir
Installeret	tætningspakning	19733220	Silicone
Installeret	Pakning til dør til tømning	19733210	PE

DA



### JUSTERING AF LÅGETS LÅS



#### Billede 1.

Lågets lås kan justeres, så det sidder strammere eller løsere på rammen, som vist på billede 1. Løsn skruerne (3 skruer) en smule, så låsebolten (delnummer 12) bevæger sig i pilenes retning. Sæt låsebolten på det rigtige sted, og stram skruerne.

## 1. Komposteringstilladelser og -regulativer

De tilladelser og regulativer, der gælder vedrørende kompostering, varierer fra land til land og fra kommune til kommune. Kontakt de lokale miljømyndigheder for at få mere at vide om, hvilke regulativer der gælder for dit område.

## 2. Valg af korrekt placering af kompostbeholder

Anbring Biolan kompostbeholder til bioaffald på et sted, der er nemt at komme til, og hvor det er nemt at tømme kompostbeholderen, hele året.

Stil kompostbeholderen på en fast overflade på et sted med god dræning. Sørg for, at kompostbeholderen står vandret.

Biolan kompostbeholder til bioaffald omfatter en åbning til sivevæske i venstre side i bunden til dræning af eventuelt overskydende væske. Anbring kompostbeholderen direkte på jorden, således at jorden absorberer eventuel sivevæske. Alternativt kan du opsamle sivevæsken (se kapitel 3.1).

Hvis kompostmassen er usædvanlig våd, kan der sive væske ud under døren til tømning (del 5) og ventilen til indsugningsluft foran på kompostbeholderen (del 9).

## 3. Inden brug

Anbring pladen til adskillelse af væske (del 15) i fordybningen nederst i kompostbeholderen (drænet til sivevæske). Formålet med pladen til adskillelse af væske er at adskille overskydende væske fra kompostmassen. Pladen kan, om nødvendigt, afmonteres og rengøres.

### 3.1 Montering af slange til sivevæske og dræning af væske

Biolan kompostbeholder til bioaffald har en åbning til sivevæske i nederste, venstre side for at muliggøre dræning af eventuelt overskydende væske fra kompostbeholderen, så det kan absorberes i jorden. Hvis du vil, kan du opsamle sivevæsken i en beholder, men det er ikke påkrævet. Fjern afskærmningen mod gnavere fra åbningen til sivevæske i nederste hjørne af kompostbeholderen med f.eks. en skruetrækker. Tilslut en væskeslange, diameter 32 mm, til åbningen til sivevæske i nederste hjørne af kompostbeholderen. Anbring den anden ende af slange i en beholder, der er placeret på sted, hvor det er muligt for væsken at flyde nedad.

## 4. Idriftsættelse

Anbring et lag på fem centimeter (5 cm) af Biolan bulkmateriale i bunden af kompostbeholderen.

Begynd at bruge kompostbeholderen på den måde, der er beskrevet i kapitel 5. Når du putter affald i kompostbeholderen første gang, skal du bruge mere bulkmateriale end anbefalet – du kan reducere mængden senere.

### 4.1 Påbegyndelse af komposteringsprocessen

Komposteringsprocessen begynder, når der er tilstrækkeligt affald i kompostbeholderen, dvs. når kompostbeholder er ca. halvt fyldt. Når processen er startet, bliver affaldet til dækjord i løbet af ca. fem til otte uger. Starten på processen kan være langsommere ved en udendørstemperatur på under 0 °C. Populationen af mikroorganismer, der udvikles i kompostbeholderen, øger temperaturen inde i kompostbeholderen og holder temperaturen på dette niveau, forudsat at der regelmæssigt fyldes affald i kompostbeholderen. Kompostbeholderens termiske isoleringsmateriale holder på varmen og forhindrer, at udendørstemperaturen afkøler kompostmassen.

Den bedste indikator for en velfungerende kompostbeholder er kompostmassens kvalitet, når enheden tømmes. Hvis kompostbeholderen fungerer fint, nedbrydes affaldet med undtagelse af skræller fra citrusfrugter eller æggeskaller, som det stadig kan være muligt klart at identificere.

## 5. Brug af Biolan kompostbeholder til bioaffald

Kompostbeholderen er udelukkende beregnet til bionedbrydelige materialer. Anbring ikke noget i kompostbeholderen, der kan hindre komposteringsprocessen, eller som ikke omdannes til kompost, såsom:

- Plastic, gummi, glas, læder
- Kemikalier, træimpregneringsmidler og desinfektionsmidler, maling, opløsningsmidler, benzin
- Rengøringsmidler, vaskevand
- Kalk
- Aske, cigaretskodder, tændstikker
- Støvsugerposer
- Reklamer på farvet papir
- Store mængder papir

### 5.1 Fyldning

- Tøm beholderen med bioaffald i kompostbeholderen. Bemærk, at jo større stykker affald, du lægger i kompostbeholderen, jo længere tager det, før affaldet nedbrydes.
- Hvis du bruger bionedbrydelige affaldsposer, skal du tømme posens indhold i kompostbeholderen og lægge posen i separat.
- Dæk altid affaldet med Biolan bulkmateriale. Den korrekte mængde er sædvanligvis ca. en tredjedel til halvdelen af mængden af nyt affald, der kommer i kompostbeholderen. Hvis affaldet er vådt, skal du bruge mere bulkmateriale.
- Fortsæt med at tilføje mere affald i kompostbeholderen, efterhånden som du generer mere affald. Prøv at tilføje mere affald i kompostbeholderen flere gange om ugen. Dette er især vigtigt i koldt vejr.
- Rør rundt i den nyeste kompost ned til ca. 20–30 cm fra overfladen. Du behøver ikke blande komposten efter hver påfyldning. Jo mere bulkmateriale, du bruger, jo mindre blanding af massen kræves.
- Bland ikke hele kompostmassen helt ned til bunden for at forhindre, at de nederste, allerede afkølede lag nedkøler den kompostmasse, der stadig er varm.

### 5.2 Tømning

- Biolan kompostbeholder til bioaffald skal tømmes året rundt. Tøm kompostbeholderen, når den er næsten fyldt, oftere i koldt vejr end når det er varmt. Når kompostbeholderen er tømt, er der mere ilt i den, hvilket ofte øger temperaturen inde i kompostbeholderen.
- Om vinteren skal du kun fjerne en lille smule kompostmasse ad gangen. Om sommeren kan du fjerne mere, men du må til enhver tid kun fjerne halvdelen af kompostmassen.
- Åbn døren til tømning (del 5), og fjern noget af massen fra bunden af kompostbeholderen med en skovl.
- Rengør også området under pladen til sivevæske (del 15) og sørg for, at slangen til sivevæske ikke er blokeret.
- Hvis den masse, du har fjernet, er meget våd, skal du anbringe et par skovlfulde Biolan bulkmateriale i bunden af kompostbeholderen.
- Luk døren til tømning.
- Tryk ned på massen fra toppen med f.eks. en skovl. Det er nemmere, hvis du starter i hjørnerne. Pas på ikke at beskadige kanalen til indsugningsluft, der er placeret i midten af kompostbeholderen.
- Tøm, om nødvendigt, beholderen til sivevæske.

DA

### 5.3 Problemer, der skal tages højde for ved koldt vejr

Det affald, der komposterer, genererer varme inde i kompostbeholderen, enheden generer i sig selv ikke nogen varme. Mikroorganismer kræver frisk affald regelmæssigt for at opretholde deres vitale funktioner.

Den termiske isolering i Biolan kompostbeholder til bioaffald forhindrer, at varmen slipper ud og fremmer derved driften af kompostbeholderen og forhindrer, at kompostmassen fryser til.

- Regelmæssig brug af kompostbeholderen, dvs. påfyldning og tømning, er især vigtig i koldt vejr. Det er den eneste måde at holde forholdene inde i kompostbeholderen gunstige for mikroorganismerne og derved holde komposteringsprocessen i gang.
- Du må ikke reducere mængden af bulkmateriale eller helt stoppe med at bruge bulkmateriale i koldt vejr: brug af tilstrækkeligt bulkmateriale er især vigtigt, når det er koldt, da våd kompostmasse nemmere fryser til.
- Opbevar bulkmaterialet på et varmt sted, hvor det er beskyttet mod regn.
- Sørg for, at kompostbeholderens ventil til ind- og udsugningsluft (del 9 og 3) ikke fryser til, da det forhindrer korrekt ventilation af kompostbeholderen. Fjern eventuel is.
- Kompostbeholderen, dens dele eller kompostmassen beskadiges ikke, hvis kompostmassen fryser til. Komposteringsprocessen fortsætter senest, når kompostmassen tør.

### 5.4 Rengøring af Biolan kompostbeholder til bioaffald

- Du må ikke vaske kompostbeholderen. Forskellige slags mug og strålesvampe er vigtige komposteringsorganismer, og du bør ikke vaske dem væk.
- Rengør ventilen til indsugningsluft (del 9), ventilen til udsugningsluft (del 3) og slangen til sivevæske (hvis der er en sådan) med vand, om nødvendigt.

## 6. Brug af kompost og sivevæske i haven

Kompost er et fremragende jordforbedringsmiddel og indeholder næringsstoffer med en langvarig effekt på planter. Kompostjord er sædvanligvis inddelt i to grupper baseret på, hvor modent det er: semimodent dækjord og modent kompostjord.

#### Modnet dækjord til kompostjord

Når du tømmer massen fra Biolan kompostbeholder til bioaffald, er massen sædvanligvis modnet til stadiet dækjord. Det anbefales, at dækjord kun bruges til at dække bede, hvor der vokser pryplanter. Hvis du ønsker at bruge jorden til spiselige planter, bør du efterkompostere jorden i endnu et år for at modne den til korrekt kompostjord.

#### Brug af dækjord

Dækjord henviser til semimoden kompostmasse. Komposteringsprocessen har udviklet sig til et stadie, hvor madaffald er komposteret. Hårdt træ, æggeskaller og skræller fra citrusfrugter kan f.eks. stadig være synlige, så dækjorden fremstår grov. Semimoden kompost kan stadig indeholde stoffer, der hindrer vækst og spiring, så det bør ikke anvendes som vækstmedium. Dækjord er ikke skadelig for planter, når spredes til blomsterbede med pryplanter i et lag på et par centimeter. Dette frigiver næringsstofferne i komposten, så planterne kan bruge dem.

### 6.1 Brug af modnet kompostjord

Gødningseffekten af komposten afhænger af kompostens råmaterialer. Næringsværdien af kompost fra husholdningsaffald er sædvanligvis højere end kompost fra haveaffald. Kompostjord alene udgør ikke et godt substrat. I stedet bør du tilføje en tredjedel til halvt mineraljord, såsom sand, mudder, lermuld eller ler.

### 6.2 Brug af sivevæske

Hvis du bruger en slange tilsluttet til kompostbeholderens åbning til sivevæske for at opsamle overskydende væske fra bunden af kompostbeholderen, kan du bruge det i haven. Sivevæsken indeholder næringsstoffer, som planterne kan bruge.

- Brug sivevæske fortyndet med vand (minimumsforhold 1:2), når du vander planterne i haven.
- Du kan også genbruge sivevæske i din kompostbeholder til bioaffald ved at hælde det tilbage i toppen af kompostmassen. Tilføj noget bulkmateriale, og absorber maksimalt 5 liter væske om dagen. Hvis massen allerede er våd, skal du ikke fugte den med sivevæske.

## 7. Fejlfinding

### 7.1 Rådden lugt

Hvis kompostbeholderen lugter af råd eller forrådnelse, er kompostmassen for kompakt eller våd, eller der er ingen ilt i kompostbeholderen.

- Sørg for, at du bruger bulkmateriale, der er egnet til en kompostbeholder.
- Sørg for, at du har brugt tilstrækkeligt Biolan bulkmateriale.
- Øg mængden af bulkmateriale midlertidigt, indtil kompostmassen ikke længere er for våd.
- Husk at åbne og tømme bionedbrydelige poser, før du putter dem i kompostbeholderen.
- Tøm noget våd kompostmasse ud af bunden af kompostbeholderen (se kapitel 5.2). Anbring et par centimeter af massen rundt om dine pryplanter. Den ubehagelige lugt forsvinder i løbet af nogle få dage. Tilføj et par skovfulde Biolan bulkmateriale i bunden af kompostbeholderen via døren til tømning (dør 5). Pres massen sammen, og bland rigeligt med Biolan bulkmateriale i den.

### 7.2 Ammoniaklugt

- Hvis kompostbeholderen lugter som skarp ammoniak, udskiller kompostmassen kvælstof. Hvis der er for meget kvælstof i forhold til kulstof, kan mikroorganismerne ikke bruge det.
- Sørg for, at du ikke har tilføjet for mange materialer, der indeholder kvælstof, såsom urin eller afføring fra kyllinger, i kompostbeholderen. Stop med at tilføje for meget kvælstof i kompostbeholderen.
- Du må ikke komme aske eller kalk i kompostbeholderen.
- Sørg for, at du bruger bulkmateriale, der er egnet til en kompostbeholder.
- Sørg for, at du har brugt tilstrækkeligt Biolan bulkmateriale.
- Øg midlertidigt den mængde bulkmateriale, du bruger, når du fylder kompostbeholderen, indtil den ubehagelige lugt forsvinder.
- Bland kompostmassen.

### 7.3 Komposteringsprocessen påbegynder ikke

- Bland den øverste del af kompostmassen, og kig gennem døren til tømning for at kontrollere, at massen er tilpas fugtig:

#### Hvis massen er tilpas fugtig:

1. Komposteringsprocessen er endnu ikke begyndt (se kapitel 4.1). Fortsæt med at fylde kompostbeholderen som normalt.
2. Mængden af affald er så lav, at temperaturen inde i kompostbeholderen ikke er høj nok. Det tager længere tid, før affaldet omdannes til kompost. Fortsæt med at bruge kompostbeholderen som normalt. Det er vigtigere, om der er tilstrækkelig tid til, at affaldet kan blive omdannet til kompost, før du tømmer kompostbeholderen, end at der er en høj temperatur. Tilføj mere kvælstof, hvis du ønsker at fremskynde komposteringsprocessen. Du kan f.eks. bruge Biolan komposteringsaccelerator udviklet til kompostbeholderen.
3. Massens i bunden af kompostbeholderen er komposteret til et stadie, hvor det ikke længere er varmt. Tøm noget af kompostmassen af, og fortsæt med at bruge kompostbeholderen.

### Kompostmassen er for våd:

- Sørg for, at du bruger bulkmateriale, der er egnet til en kompostbeholder.
- Sørg for, at du har brugt tilstrækkeligt Biolan bulkmateriale.
- Øg mængden af bulkmateriale midlertidigt, indtil kompostmassen ikke længere er for våd.
- Fjern den vådeste del af kompostmassen fra bunden af kompostbeholderen. Tilføj et par skovfulde Biolan bulkmateriale i bunden af kompostbeholderen via døren til tømning. Tryk massen sammen fra toppen, og bland rigeligt med Biolan bulkmateriale i den.
- Sørg fremover for, at kompostmassen ikke bliver for våd.
- Kompostmassen er for tør:
- Brug varmt vand til at gøre massen våd.
- Fjern overdrevent tørt affald i bunden af kompostbeholderen, gør det vådt, og kom det tilbage i kompostbeholderen.
- Sørg fremover for, at kompostmassen forbliver fugtig nok.

### 7.4 Komposteringsmassen fryser til is

- Gør noget, før kompostmassen fryser helt til is. Hvis kompostbeholderen er fuld, skal du tømme noget af massen af, også selv om det er vinter.
- Undgå at beholderen fryser til ved at bruge den (= fylde og tømme den) for at holde mikroorganismene aktive. Se kapitel 5 og 5.1–5.4.
- Sørg for, at kompostbeholderen er nogenlunde fyldt om vinteren, tøm kun små mængder af kompostmasse af ad gangen.
- Vær opmærksom på, hvor fugtig kompostmassen er: våd kompostmasse fryser hurtigere til is (se kapitel 7.3).
- Brug rigeligt Biolan bulkmateriale om vinteren. Du kan tilføje Biolan komposteringsaccelerator til overfladelaget for at fremme komposteringsprocessen. Dæk med et lag af bulkmateriale.
- Saml noget sne omkring kompostbeholderen for at holde den varmere.
- Varm kompostmassen ved f.eks. at placere en cylinder fyldt med varmt vand i det øverste lag og udskifte vandet tilstrækkeligt ofte.

### 7.5 Kompostmassen er for kompakt

- Tilføj rigeligt Biolan bulkmateriale Bland bulkmaterialet i kompostmassen.
- Fremover skal du bruge mere bulkmateriale og sørge for ikke at skabe kompakte lag af græs, skræller fra rodfrugter, blade osv., når du fylder kompostbeholderen.

### 7.6 Fluer eller fluelarver i kompostbeholderen

- Hvis massen er for våd, er der risiko for, at kompostmassen indeholder fluer. Fluelarver og hvide orme med sort hoved. De har en længde på ca. 1 cm. Se også kapitel 7.3.
- Tilføj rigeligt Biolan bulkmateriale, bland det i kompostmassen, og brug mere bulkmateriale fremover.
- Bland den øverste del af kompostmassen i resten af massen. Fluelarver dør, når temperaturen når ca. +43 °C.
- Tilføj et lag på ca. 2 cm bulkmateriale i toppen. Fremover skal du sørge for, at især kød- og fiskerester er dækket korrekt.
- Skyl omhyggeligt kompostbeholderens indvendige side og låget med varmt vand for at ødelægge eventuelle æg og larver.
- Du kan også sprøjte et pesticid indeholdende pyrethrin som det aktive stof i kompostbeholderen for at undgå fluer. Spørg i den butik, hvor du køber haveartikler, hvordan du vælger et egnet produkt.

### 7.7 Myrer i kompostbeholderen

Kompostbeholderen indeholder mad, og er et godt miljø for myrer, hvilket betyder at det er svært at holde dem væk. Myrer kan sædvanligvis godt lide at opbygge deres bo i kompostmassen i bunden af kompostbeholderen, der køler ned. Myrerne er ikke skadelige for komposteringsprocessen.

- Sørg for, at kompostmassen ikke er for tør.
- At tømme små mængder af kompostmassen af med jævne mellemrum forhindrer, at myrerne bliver for veltilpasse i deres omgivelser.

### 7.8 Mug i kompostbeholderen

Mug er én af nedbryderne i en kompostbeholder, og det er normalt, at der er mug i en kompostbeholder.

- Fjern ikke muggen.
- Fortsæt med at bruge kompostbeholderen som normalt.

### 7.9 Svamp i kompostbeholderen

- Svampe fordøjer træ i kompostmassen, såsom den uforarbejdede del af bulkmaterialet, og det er normalt, at der er svampe i en kompostbeholder.
- Lad svampene være, de forsvinder af sig selv.
- Fortsæt med at bruge kompostbeholderen som normalt.

DA

## Bortskaffelse af produkt

De materialer, produktet er fremstillet af, fremgår af listen over dele (s. 19). Bortskaf enhver del på korrekt vis. Følg altid regionale instruktioner eller instruktioner, der er specifikke for opsamlingsstedet.



Indsamling til energiudnyttelse eller genbrug af plastic:

EPDM = ethylenpropylen

PE = polyethylen

PP = polypropylen

EPP = Expanderede polypropylene



Indsamling til energiudnyttelse:

PU = polyurethan

Silicone



Genbrug af metal:

RST = rustfrit stål

Indsamling af papiraffald

Papir

## Garanti

### Biolan kompostbeholder til bioaffald har en garanti på et (1) år.

1. Garantien gælder fra købsdatoen og gælder enhver væsentlig fejl i materialer og kvalitet. Garantien dækker ikke nogen indirekte skader.
2. Biolan Oy forbeholder sig retten til at reparere eller udskifte beskadigede dele efter eget valg.
3. Enhver skade, der opstår som følge af uforsvarlig eller voldsom håndtering, manglende overholdelse af brugsanvisningen eller normal slitage er ikke dækket af denne garanti.

Kontakt Biolan Oy direkte, hvis du spørgsmål vedrørende garantien.

# Biowaste Komposter

## Bedienungsanleitung

Der Biolan Biowaste Komposter ist für die ganzjährige Kompostierung von Küchenabfällen geeignet. Die Thermoisolierung des Komposters mit seinem effektiven Entlüftungssystem sorgt für eine rasche Kompostierung. Der Biolan Biowaste Komposter ist für die Bioabfälle einer Familie bemessen. Die sachgemäße Verwendung des Biolan Biowaste Komposters ermöglicht eine effiziente Kompostierung der Abfallmengen und vereinfacht die Handhabung sowie die Entleerung des Komposters.

**DE**

### Inhaltsverzeichnis

Maße	23
Teileliste	24
1. GENEHMIGUNGEN UND VORSCHRIFTEN BEZÜGLICH DER KOMPOSTIERUNG	25
2. AUSWAHL DES GEEIGNETEN STANDORTS FÜR DEN KOMPOSTER	25
3. VOR DER VERWENDUNG	25
3.1 Anschluss und Verwendung des Schlauchs zur Ableitung der Sickerflüssigkeit	25
4. INBETRIEBNAHME	25
4.1 Beginn des Kompostierungsprozesses	25
5. VERWENDUNG DES BIOLAN BIOWASTE KOMPOSTERS	25
5.1 Befüllung	25
5.2 Entleerung	25
5.3 Worauf in der kalten Jahreszeit zu achten ist	26
5.4 Reinigung des Biolan Biowaste Komposters	26
6. VERWENDUNG DES KOMPOSTS UND DER SICKERFLÜSSIGKEIT IM GARTEN	26
6.1 Verwendung des reifen Fertigungskomposts	26
6.2 Verwendung der Sickerflüssigkeit	26
7. PROBLEMBEHANDLUNG	26
7.1 Fauliger Geruch	26
7.2 Ammoniakgeruch	26
7.3 Kompostierung beginnt nicht	26
7.4 Die Kompostmasse gefriert	27
7.5 Die Kompostmasse ist zu dicht	27
7.6 Fliegen oder Fliegenlarven im Komposter	27
7.7 Ameisen im Komposter	27
7.8 Schimmel im Komposter	27
7.9 Pilze im Komposter	27
Entsorgung des Produkts	27
Garantiebestimmungen	27



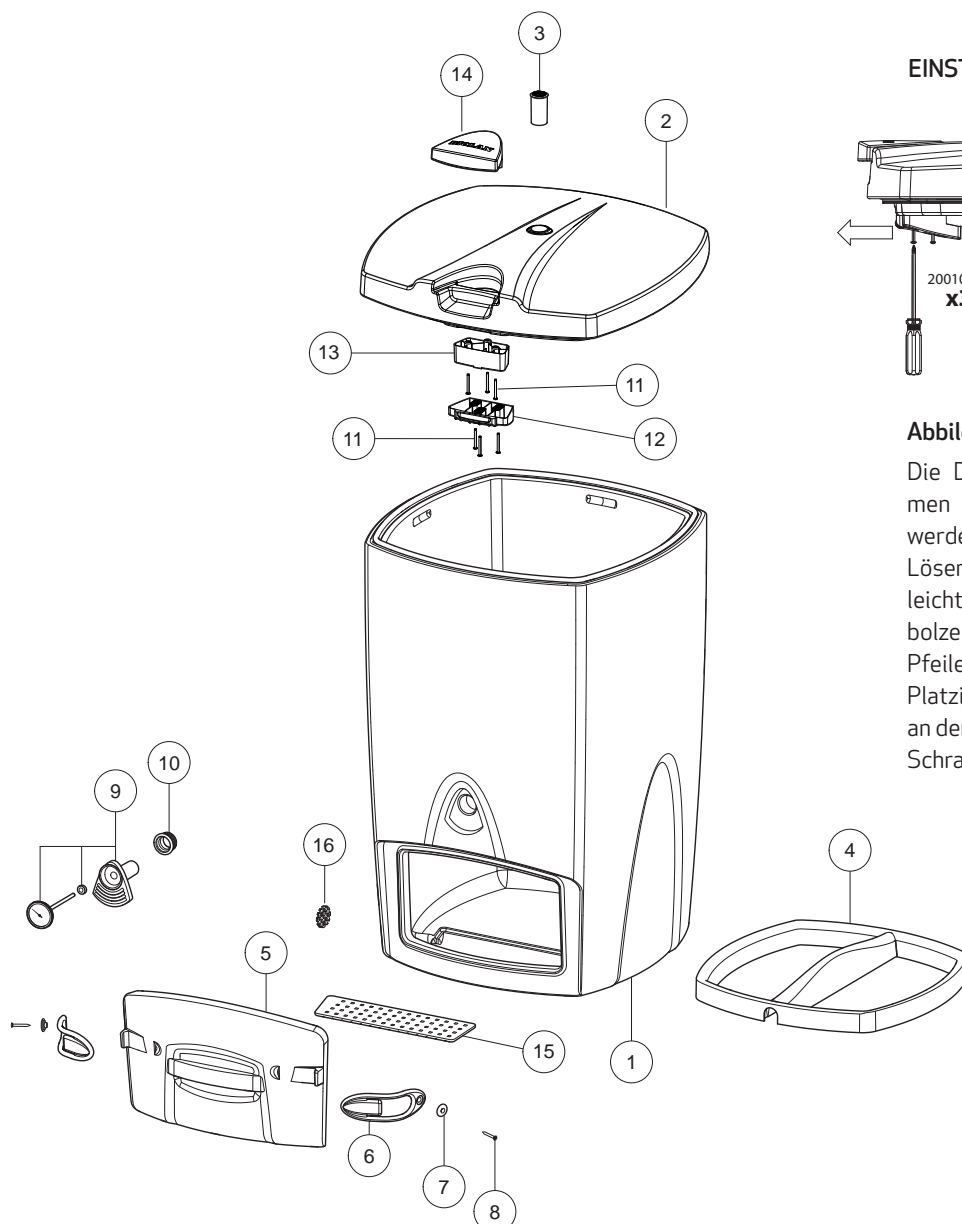
### Maße

Fassungsvermögen ca.	200 Liter
Kapazität je nach Umfang und Art der Abfälle	1-6 Personen
Bodenfläche (B x T)	54 x 54 cm
Deckelfläche (B x T)	62 x 63 cm
Gesamthöhe des Komposters	100 cm
Arbeitshöhe	91 cm
Gewicht unbefüllt ca.	21 kg
Gewicht befüllt ca.	100-150 kg
Gewicht des Deckels beim Öffnen	1.5 kg
Durchmesser des Auslasses für die Sickerflüssigkeit	32 mm

## Teilleiste

Einzelteil	Bezeichnung	Teilnummer	Material
1	Rahmen	17792901	PE+PU
2	Deckel	17710040	EPP
3	Abluftventil	18710400	PP
4	Lufteinlasskanal	18792003	PE
5	Entladetür	18790950	PE+PU
6	Riegel	18710370	EPDM
7	Unterlagscheibe für Gummiriegel	18726140	PE
8	Schraube für Riegel	20010023	RST
9	Lufteinlassventil	18792903	PE
	Dichtungsring		Silikon
	Thermometer		RST
10	Durchführungsgummi, 30/40	19780050	EPDM
11	Schraube zur Befestigung des Griffs	20010024	RST
12	Verriegelungsbolzen	18704098	PP
13	Verschlussstück	18704097	PP
14	Griff	18704095	PP
15	Platte zur Flüssigkeitsabtrennung	18710141	PE
16	Nagetierschild	21900020	RST
Außer den angeführten Teilen umfasst der Komposter Folgendes:			
	Bedienungsanleitung	27579070	Papier
Installiert	Deckel-Dichtung	19733220	Silikon
Installiert	Dichtung für die Entladetür	19733210	PE

DE



### EINSTELLUNG DER DECKELVERRIEGELUNG

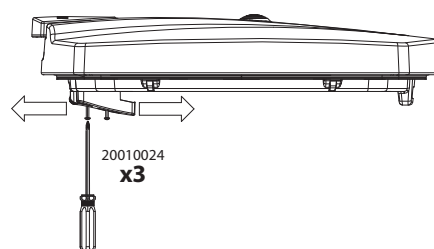


Abbildung 1.

Die Deckelverriegelung kann am Rahmen enger oder lockerer eingestellt werden, wie in Abbildung 1 dargestellt. Lösen Sie die Schrauben (3 Schrauben) leicht, sodass sich der Verriegelungsbolzen (Teilnummer 12) in die von den Pfeilen angegebene Richtung bewegt. Platzieren Sie den Verriegelungsbolzen an der richtigen Stelle und ziehen Sie die Schrauben fest.

# 1. GENEHMIGUNGEN UND VORSCHRIFTEN BEZÜGLICH DER KOMPOSTIERUNG

Erforderliche Genehmigungen und Vorschriften für die Kompostierung variieren von Land zu Land und von Gemeinde zu Gemeinde. Erkundigen Sie sich daher bitte bei Ihrer lokalen Umweltbehörde nach den in Ihrer Gemeinde geltenden Vorschriften.

## 2. AUSWAHL DES GEEIGNETEN STANDORTS FÜR DEN KOMPOSTER

Platzieren Sie den Biolan Biowaste Komposter an einer Stelle, an dem Sie die Abfälle einfach entnehmen können und eine unkomplizierte Entleerung ganzjährig möglich ist.

Wählen Sie für den Standort eine feste Oberfläche, an der sich kein Wasser ansammelt. Achten Sie darauf, dass der Komposter eben aufgestellt ist.

Der Biolan Biowaste Komposter hat eine Öffnung im hinteren unteren Teil des Gehäuses, um das Abfließen von überschüssiger Flüssigkeit zu ermöglichen. Stellen Sie den Komposter direkt auf dem Erdboden auf, damit die Sickerflüssigkeit vom Boden aufgenommen werden kann. Wahlweise können Sie die Sickerflüssigkeit auch zur späteren Verwendung sammeln (siehe Kapitel 3.1).

Ist die Kompostmasse ungewöhnlich nass, kann es zum Austreten von Sickerflüssigkeit durch die Entladetür (Teil 5) und durch das Lufteinlassventil an der Vorderseite des Komposters (Teil 9) kommen.

DE

## 3. VOR DER VERWENDUNG

Positionieren Sie die Platte zur Flüssigkeitsabtrennung (Teil 15) in der Ausnehmung am Boden des Komposters (die Rinne für die Sickerflüssigkeit). Mit der Platte zur Flüssigkeitsabtrennung soll überschüssige Flüssigkeit aus der Kompostmasse entfernt werden. Falls erforderlich kann die Platte entfernt und gereinigt werden.

### 3.1 Anschluss und Verwendung des Schlauchs zur Ableitung der Sickerflüssigkeit

Im Biolan Biowaste Komposter befindet sich eine Öffnung an der unteren linken Seite, die dem Abfließen von überschüssiger Flüssigkeit aus dem Komposter in den Erdboden dient. Auf Wunsch können Sie die Sickerflüssigkeit auch in einen Sammelbehälter ableiten. Dies ist aber nicht erforderlich. Entfernen Sie den Nagetierrschild von der Sickerflüssigkeitsöffnung im hinteren Teil des Geräts, zum Beispiel mit einem Schraubenzieher. Schließen Sie einen Gartenschlauch mit einem Durchmesser von 32 mm an die Auslassöffnung für die Sickerflüssigkeit an der Unterkante des Komposters an. Führen Sie das andere Ende des Schlauchs in einen Behälter, der so aufgestellt ist, dass die Flüssigkeit abwärts fließen kann.

## 4. INBETRIEBNAHME

Bringen Sie eine 5 cm dicke Schicht Biolan Kompoststreu auf dem Boden des Komposters auf.

Beginnen Sie mit der Verwendung des Komposters gemäß Kapitel 5. Geben Sie bei der ersten Befüllung eine großzügige Menge an Streumaterial zu. Danach kann diese Menge reduziert werden.

### 4.1 Beginn des Kompostierungsprozesses

Der Kompostierungsprozess beginnt, sobald sich genügend Abfall im Komposter befindet, d. h., wenn der Komposter ungefähr halb voll ist. Nach dem Beginn des Prozesses erreicht der Abfall in etwa 5-8 Wochen das Stadium des Frischkomposts. Der Beginn des Prozesses kann sich verzögern, wenn die Außentemperatur unter 0 °C liegt. Die Mikroorganismen, die sich im Komposter entwickeln, erhöhen die Temperatur im Komposter und halten sie auf diesem Niveau, sofern regelmäßig Abfälle in den Komposter nachgefüllt werden. Durch die Isolierung des Komposters wird die Temperatur im Inneren aufrechterhalten und das Auskühlen der Kompostmasse verhindert.

Die ordnungsgemäße Funktion des Komposters kann am besten über die Qualität der entleerten Kompostmasse beurteilt werden. In einem gut funktionierenden Komposter werden Abfälle vollständig zersetzt, mit Ausnahme der Schalen von Zitrusfrüchten oder Eierschalen, die immer noch erkennbar sein können.

## 5. VERWENDUNG DES BIOLAN BIOWASTE KOMPOSTERS

Der Komposter ist ausschließlich für biologisch abbaubare Abfälle vorgesehen. Geben Sie keine Materialien in den Kompost, die den Kompostierungsprozess beeinträchtigen könnten oder sich nicht kompostieren lassen, wie zum Beispiel:

- Kunststoffe, Gummi, Glas, Leder
- Chemikalien, Holzschutzmittel, Desinfektionsmittel, Farben, Lösungsmittel, Kraftstoffe
- Waschmittel, Waschwasser
- Kalk
- Asche, Zigarettenstummel, Zündhölzer
- Staubsaugersäcke
- Farbige Werbematerial
- Große Mengen an Papier

### 5.1 Befüllung

- Entleeren Sie den Behälter mit Bioabfall in den Komposter. Bitte beachten Sie: Je größer die Stücke sind, die in den Komposter eingebracht werden, desto länger dauert der Zersetzungsprozess.
- Bei der Verwendung von biologisch abbaubaren Beuteln, muss der Inhalt der Beutel zuerst entleert und dann der Beutel getrennt in den Kompost eingebracht werden.
- Bedecken Sie die Abfälle immer mit Biolan Kompoststreu. Eine geeignete Menge beträgt in etwa ein Drittel bis die Hälfte der neu in den Komposter gegebenen Abfallmenge. Verwenden Sie eine größere Menge an Streumaterial, wenn die Abfallmasse feucht ist.
- Setzen Sie die Befüllung des Komposters fort, sobald sich neuer Abfall angesammelt hat. Wenn möglich, sollte mehrmals pro Woche Abfall in den Komposter zugegeben werden. Das ist vor allem während der kalten Jahreszeit besonders wichtig.
- Mischen Sie den frischesten Kompost etwa 20-30 cm unter die Oberfläche. Ein Durchmischen ist nicht nach jeder Zugabe von Abfällen erforderlich. Je mehr Streumaterial Sie verwenden, desto weniger muss die Masse gemischt werden.
- Mischen Sie die nicht die gesamte Kompostmasse bis auf den Boden durch, damit die bereits ausgekühlten untersten Schichten nicht die noch warme Kompostmasse abkühlt.

### 5.2 Entleerung

- Der Biolan Biowaste Komposter muss ganzjährig entleert werden. Entleeren Sie den Komposter, wenn er beinahe voll ist.
- Der Komposter muss während der kalten Jahreszeit häufiger entleert werden als während der Sommermonate. Nach der Entleerung des Komposters befindet sich mehr Sauerstoff darin, was häufig die Temperatur im Komposter ansteigen lässt.
- Entnehmen Sie während der Wintermonate jeweils nur eine geringe Menge der Kompostmasse auf einmal. Während der Sommermonate kann eine größere Menge entnommen werden, jedoch maximal die Hälfte der Kompostmasse.
- Öffnen Sie die Entladetür (Teil 5) und entnehmen Sie im unteren Bereich ein wenig Masse mithilfe eines Spatens.
- Reinigen Sie auch den Bereich unterhalb der Platte zur Flüssigkeitsabtrennung (Teil 15) und überprüfen Sie, dass der Schlauch für die Sickerflüssigkeit nicht verstopft ist.
- Ist die entnommene Masse sehr nass, streuen Sie einige Spaten voll Biolan Kompoststreu auf den Boden des Komposters.
- Schließen Sie die Entladetür.
- Drücken Sie die Masse von oben beispielsweise mit einem Spaten nach unten. Am einfachsten ist es dabei, von den Ecken her zu beginnen. Achten Sie dabei darauf, den Lufteinlasskanal in der Mitte des Komposters nicht zu beschädigen.
- Entleeren Sie bei Bedarf den Sammelbehälter für die Sickerflüssigkeit.



### 5.3 Worauf in der kalten Jahreszeit zu achten ist

Die Wärme im Komposter wird durch die Kompostabfälle erzeugt. Das Gerät selbst erzeugt keine Wärme. Die Mikroorganismen benötigen ständig neuen Abfall, um ihre Lebensfunktionen aufrechterhalten zu können.

Die Thermoisolierung des Biolan Biowaste Komposters verhindert das Entweichen der Wärme, unterstützt dadurch die Funktion des Komposters und verhindert das Einfrieren der Kompostmasse.

- Die regelmäßige Verwendung des Komposters, d. h. das Befüllen und Entleeren ist in der kalten Jahreszeit sehr wichtig. Nur so können die richtigen Bedingungen für die Mikroorganismen geschaffen werden, um dafür zu sorgen, dass die Kompostierung weitergeht.
- Reduzieren oder unterbrechen Sie auf keinen Fall die Menge bzw. Verwendung von Streumaterial während der kalten Jahreszeit, weil gerade während dieser Zeit die ausreichende Verwendung von Streumaterial besonders wichtig ist. Eine nasse Kompostmasse gefriert schneller.
- Bewahren Sie das Streumaterial an einem warmen Ort auf, wo es vor Regen geschützt ist.
- Sorgen Sie dafür, dass der Luftaustausch nicht durch Gefrieren des Lufterinlass- oder -auslassventils (Teile 9 und 3) behindert wird. Entfernen Sie alles Eis.
- Das Gefrieren der Kompostmasse beschädigt weder den Komposter, seine Bestandteile noch die Kompostmasse. Die Kompostierung wird spätestens dann fortgesetzt, wenn die Kompostmasse auftaut.

### 5.4 Reinigung des Biolan Biowaste Komposters

- Waschen Sie den Komposter nicht. Verschiedene Schimmel- und Strahlenpilze haben eine wichtige zersetzende Funktion im Kompost und sollten nicht gewaschen werden.
- Reinigen Sie nach Bedarf das Lufterinlassventil (Teil 9), das Abluftventil (Teil 3) und den Schlauch für die Sickerflüssigkeit (falls vorhanden) mit Wasser.

## 6. VERWENDUNG DES KOMPOSTS UND DER SICKERFLÜSSIGKEIT IM GARTEN

Kompost eignet sich hervorragend als Bodenverbesserer und enthält Nährstoffe, die von den Pflanzen nachhaltig genutzt werden können. In der Regel wird Kompost je nach Reifegrad in zwei Gruppen eingeteilt: Deckerde und Komposterde.

#### Ausreifung der Deckerde zu Komposterde

Die aus dem Biolan Biowaste Komposter entnommene Masse ist in der Regel als Deckerde ausgereift. Es wird empfohlen, Deckerde nur im Pflanzbett von Zierpflanzen auszubringen. Wenn Sie sie für essbare Pflanzen verwenden wollen, sollte ein weiteres Jahr nachkompostiert werden, damit die Masse zu richtiger Komposterde ausreift.

#### Verwendung von Deckerde

Bei Deckerde handelt es sich um halbreife Kompostmasse. Dann hat der Zersetzungsprozess ein Stadium erreicht, bei dem alle Nahrungsmittelabfälle abgebaut wurden. Härteres Holz und beispielsweise Eierschalen und Schalen von Zitrusfrüchten sind eventuell noch sichtbar, weshalb die Deckerde grob aussieht. Der halbreife Frischkompost enthält möglicherweise Stoffe, die das Wachstum und die Keimung der Pflanzen behindern, und sollte daher nicht als Substrat verwendet werden. Deckerde ist jedoch nicht schädlich, wenn sie als einige Zentimeter dicke Schicht im Pflanzbett von Zierpflanzen ausgebracht wird. So können die im Kompost enthaltenen Nährstoffe freigesetzt und von den Pflanzen aufgenommen werden.

### 6.1 Verwendung des reifen Fertigkomposts

Die Eigenschaften Kompost als Düngemittel hängen von seinen Ausgangsmaterialien ab. Kompost aus Haushaltsabfällen hat in der Regel einen höheren Nährstoffgehalt als Kompost aus Gartenabfällen. Fertigkompost allein stellt kein gutes Substrat dar und sollte daher in einem Verhältnis von einem Drittel bis zur

Hälfte mit Mineralerde, wie z. B. Sand, Schlick, Lehm oder Ton vermischt werden.

### 6.2 Verwendung der Sickerflüssigkeit

Wenn die überschüssige Flüssigkeit vom Boden des Komposters mithilfe eines Schlauchs an der Öffnung für die Sickerflüssigkeit abgeleitet wird, können Sie diese Flüssigkeit im Garten verwenden. Die Sickerflüssigkeit enthält Nährstoffe, die von Pflanzen sofort aufgenommen werden können.

- Verdünnen Sie zur Bewässerung Ihrer Gartenpflanzen die Sickerflüssigkeit mit Wasser (Verhältnis von mindestens 1:2).
- Sie können die Sickerflüssigkeit auch wiederverwerten, indem Sie sie von oben zurück auf die Kompostmasse leeren. Geben Sie Streumaterial zu und bringen Sie maximal 5 Liter Flüssigkeit pro Tag ein. Ist die Masse bereits nass, geben Sie keine weitere Sickerflüssigkeit zum Kompost hinzu.

## 7. PROBLEMBEHANDLUNG

### 7.1 Fauliger Geruch

Tritt im Komposter Geruch von Fäulnis oder Zerfall auf, ist die Masse zu dicht gepackt, zu nass oder kein Sauerstoff im Komposter vorhanden.

- Achten Sie darauf, nur für einen Komposter geeignetes Streumaterial zu verwenden.
- Vergewissern Sie sich, dass Sie ausreichend Biolan Kompoststreu verwendet haben.
- Erhöhen Sie vorübergehend die Menge an, bis die Kompostmasse nicht mehr zu nass ist.
- Öffnen und entleeren Sie biologisch abbaubare Beutel, bevor Sie sie in den Komposter geben.
- Entleeren Sie einen Teil der nassen Kompostmasse vom Boden des Komposters (siehe Kapitel 5.2). Bringen Sie die Masse mit einer Dicke von einigen Zentimetern unter Ihren Zierpflanzen aus. Der unangenehme Geruch verschwindet in ein paar Tagen. Bringen Sie durch die Entladetür (Teil 5) einige Spaten voll Biolan Kompoststreu auf den Boden des Komposters ein. Komprimieren Sie die Masse und mischen Sie großzügig Biolan Kompoststreu unter.

### 7.2 Ammoniakgeruch

Wenn der Komposter einen stechenden Ammoniakgeruch verbreitet, tritt Stickstoff aus der Kompostmasse aus. Ist der Stickstoffgehalt im Verhältnis zum Kohlenstoffgehalt zu hoch, können die Mikroorganismen diesen nicht verarbeiten.

- Vergewissern Sie sich, dass keine Substanzen mit hohem Stickstoffgehalt wie Urin oder Hühnermist, in den Komposter eingebracht wurden. Befüllen Sie den Komposter nicht mit noch mehr Stickstoff.
- Füllen Sie keine Asche und keinen Kalk in den Komposter.
- Achten Sie darauf, nur für einen Komposter geeignetes Streumaterial zu verwenden.
- Vergewissern Sie sich, dass Sie ausreichend Biolan Kompoststreu verwendet haben.
- Erhöhen Sie vorübergehend die Menge an Streumaterial beim Befüllen des Komposters bis sich der unangenehme Geruch verflüchtigt hat.
- Mischen Sie die Kompostmasse.

### 7.3 Kompostierung beginnt nicht

- Mischen Sie die obere Lage der Kompostmasse und prüfen Sie durch die Entladetür, dass die Masse ausreichend feucht ist.

#### Wenn die Masse ausreichend feucht ist:

1. Die Kompostierung hat noch nicht begonnen (siehe Kapitel 4.1). Befüllen Sie den Komposter weiterhin wie gewohnt.
2. Die Abfallmenge ist zu gering, um die erforderliche Temperatur zu erreichen. Der Abfall wird langsamer zersetzt. Verwenden Sie den Komposter weiterhin wie gewohnt. Viel wichtiger als die Temperatur ist, ob die Abfallmasse vor der Entleerung ausreichend Zeit hatte, um zersetzt zu werden. Wenn Sie den Kompostierungsprozess beschleunigen möchten, fügen Sie mehr Stickstoff hinzu. Sie können beispielsweise den Kompostierungsbeschleuniger von Biolan verwenden, der eigens für Komposter entwickelt wurde. 25

- Die Masse unten im Komposter wurde kompostiert und hat die warme Phase abgeschlossen. Entleeren Sie einen Teil der Kompostmasse und verwenden Sie den Komposter weiterhin wie gewohnt.

#### Die Kompostmasse ist zu nass:

- Achten Sie darauf, nur für einen Komposter geeignetes Streumaterial zu verwenden.
- Vergewissern Sie sich, dass Sie ausreichend Biolan Kompoststreu verwendet haben.
- Erhöhen Sie vorübergehend die Menge an, bis die Kompostmasse nicht mehr zu nass ist.
- Entfernen Sie den nassesten Teil der Kompostmasse vom Boden des Komposters. Bringen Sie durch die Entladetür einige Spaten voll Biolan Kompoststreu auf den Boden des Komposters ein. Komprimieren Sie die Masse von oben und mischen Sie großzügig Biolan Kompoststreu unter.
- Achten Sie in Zukunft darauf, dass die Kompostmasse nicht zu feucht wird.

#### Die Kompostmasse ist zu trocken:

- Befeuchten Sie die Masse mit warmem Wasser.
- Entfernen Sie den zu trockenen Kompost aus der Bodenschicht, befeuchten Sie ihn und füllen Sie ihn wieder in den Komposter ein.
- Achten Sie in Zukunft darauf, dass die Kompostmasse feucht genug bleibt.

#### 7.4 Die Kompostmasse gefriert

- Unternehmen Sie etwas, bevor die Kompostmasse vollständig gefriert. Wenn der Komposter voll ist, sollte er auch im Winter entleert werden.
- Verhindern Sie das Gefrieren durch häufige Verwendung des Komposters (Befüllung und Entleerung), weil dadurch die Mikroorganismen aktiv bleiben. Siehe Kapitel 5 und 5.1–5.4.
- Sorgen Sie dafür, dass der Komposter im Winter möglichst voll ist und entleeren Sie nur kleine Mengen der Kompostmasse auf einmal.
- Achten Sie auf den Feuchtigkeitsgehalt der Kompostmasse, da eine feuchte Masse leichter gefriert (siehe Kapitel 7.3).
- Verwenden Sie im Winter viel Biolan Kompoststreu. Sie können auf der Oberfläche Kompostierungsbeschleuniger von Biolan hinzufügen, um die Kompostierung zu fördern. Bedecken Sie ihn mit einer Schicht Streumaterial.
- Häufen Sie Schnee um den Komposter an, damit er besser isoliert wird.
- Erwärmen Sie die Kompostmasse, indem Sie beispielsweise einen 10-Liter-Kanister mit warmem Wasser in der obersten Schicht eingraben und das Wasser häufig wechseln.

#### 7.5 Die Kompostmasse ist zu dicht

- Fügen Sie viel Biolan Kompoststreu hinzu. Mischen Sie das Streumaterial unter die Kompostmasse.
- Verwenden Sie in Zukunft mehr Streumaterial und achten Sie darauf, dass sich beim Befüllen des Komposters mit Gras, Hackfruchtschalen, Blättern usw. keine dichten Schichten bilden.

#### 7.6 Fliegen oder Fliegenlarven im Komposter

Bei einer zu nassen Kompostmasse können Fliegen im Kompost enthalten sein. Fliegenlarven sind weiße Würmer mit einem schwarzen Kopf. Sie sind etwa einen Zentimeter lang. Siehe auch Kapitel 7.3.

- Fügen Sie viel Biolan Kompoststreu hinzu, mischen Sie es unter die Kompostmasse und verwenden Sie in Zukunft mehr Streumaterial.
- Mischen Sie den obersten Teil der Kompostmasse unter die restliche Masse. Fliegenlarven sterben bei einer Temperatur ab ca.+43°C ab.
- Bringen Sie eine ca. 2 cm dicke Schicht Streumaterial auf der Oberfläche auf. Achten Sie in Zukunft vor allem darauf, Fleisch- und Fischreste gründlich zu bedecken.
- Spülen Sie die inneren Wände und den Deckel des Komposters mit warmem Wasser, um die Eier und Larven der Fliegen zu vernichten.

- Sie können auch Pflanzenschutzmittel mit dem Wirkstoff Pyrethrin über die Kompostmasse sprühen, um Fliegen zu vermeiden. Wenden Sie sich an Ihr Gartencenter für die Beratung bei der Auswahl der geeigneten Produkte.

#### 7.7 Ameisen im Komposter

Der Komposter bietet Ameisen Nahrung und ein angenehmes Umfeld. Deshalb ist es schwierig, sie fernzuhalten. Ameisen bauen ihre Nester in der Regel im unteren Teil des Komposters, der gerade abkühlt. Die Ameisen stören die Kompostierung nicht.

- Achten Sie darauf, dass die Kompostmasse nicht zu trocken ist.
- Das regelmäßige Entleeren kleiner Mengen der Kompostmasse sorgt dafür, dass die Ameisen in ihrem Umfeld gestört werden.

#### 7.8 Schimmel im Komposter

Schimmelpilze gehören zu den zersetzenden Mikroorganismen in einem Komposter und ihr Vorhandensein ist völlig normal.

- Entfernen Sie den Schimmel nicht.
- Verwenden Sie den Komposter weiterhin wie gewohnt.

#### 7.9 Pilze im Komposter

Pilze zersetzen Holz, wie etwa die groben Teile des Streumaterials, in der Kompostmasse und ihr Vorhandensein im Komposter ist völlig normal.

- Kümmern Sie sich nicht um die Pilze, sie verschwinden von allein.
- Verwenden Sie den Komposter weiterhin wie gewohnt.

#### Entsorgung des Produkts

Die Materialien der Bestandteile des Produkts sind in der Teilleiste aufgeführt (S. 24). Entsorgen Sie jedes Einzelteil gemäß den Anweisungen. Befolgen Sie immer die entsprechenden regionalen Richtlinien sowie die Bestimmungen der jeweiligen Abfallentsorgungsstelle.



Energiegewinnung aus Abfall oder Kunststoffrecycling:  
EPDM = Ethylenpropylen  
PE = Polyethylen  
PP = Polypropylen  
EPP = Polypropylen-Hartschaum



Energiegewinnung aus Abfall:  
PU = Polyurethan  
Silikon



Metallrecycling:  
RST = rostfreier Stahl  
  
Altpapiersammlung:  
Papier

#### Garantiebestimmungen

**Der Biolan Biowaste Komposter hat eine Garantie von einem (1) Jahr.**

- Die Garantie gilt ab dem Kaufdatum und deckt möglicherweise auftretende Material- und Herstellungsfehler. Die Garantie gilt nicht für indirekte Schäden.
- Biolan Oy behält sich das Recht vor, nach eigenem Ermessen über die Reparatur oder den Ersatz von beschädigten Teilen zu entscheiden.
- Diese Garantie deckt keine Schäden, die durch unsachgemäße oder gewaltsame Handhabung des Geräts, Nichtbefolgen der Gebrauchsanleitung oder normale Abnutzung entstehen.

Bitte wenden Sie sich bei allen diese Garantie betreffenden Angelegenheiten direkt an Biolan Oy.

# Composteur Biodéchets

## Instructions d'utilisation

Le Composteur Biodéchets Biolan est un appareil adapté pour le compostage des déchets de cuisine tout au long de l'année. Grâce au composteur thermo-isolé et son système de ventilation breveté, on obtient rapidement du compost. Le Composteur Biodéchets Biolan est dimensionné pour traiter les déchets organiques d'un ménage. Correctement utilisé, le Composteur Biodéchets Biolan offre un compostage efficace de la masse ; il est pratique à utiliser et facile à vider.

### Index

Dimensions	28
Liste des pièces	29
1. Autorisations et réglementations relatives au compostage	30
3. Avant toute utilisation	30
3.1 Raccordement du tuyau d'évacuation du lixiviat et acheminement du liquide	30
4. Mise en service	30
4.1 Commencez le processus de compostage	30
5. Utilisation du Composteur Biodéchets Biolan	30
5.1 Remplissage	30
5.2 Vidange	30
5.3 À prendre en compte pendant la saison froide	31
5.4 Nettoyage du Composteur Biodéchets Biolan	31
6. Utilisation du compost et du lixiviat dans le jardin	31
6.1 Utilisation du compost mûr	31
6.2 Utilisation du lixiviat	31
7. Règlement des problèmes	31
7.1 Odeur de putréfaction	31
7.2 Odeur d'ammoniac	31
7.3 Le processus de compostage ne commence pas.	31
7.4 La masse de compost gèle.	32
7.5 La masse de compost est trop compacte.	32
7.6 Mouches ou asticots dans le composteur	32
7.7 Fourmis dans le composteur	32
7.8 Moisissures dans le compost	32
7.9 Champignons dans le composteur	32
Mise au rebut	32
Informations relatives à la garantie	32


**FR**

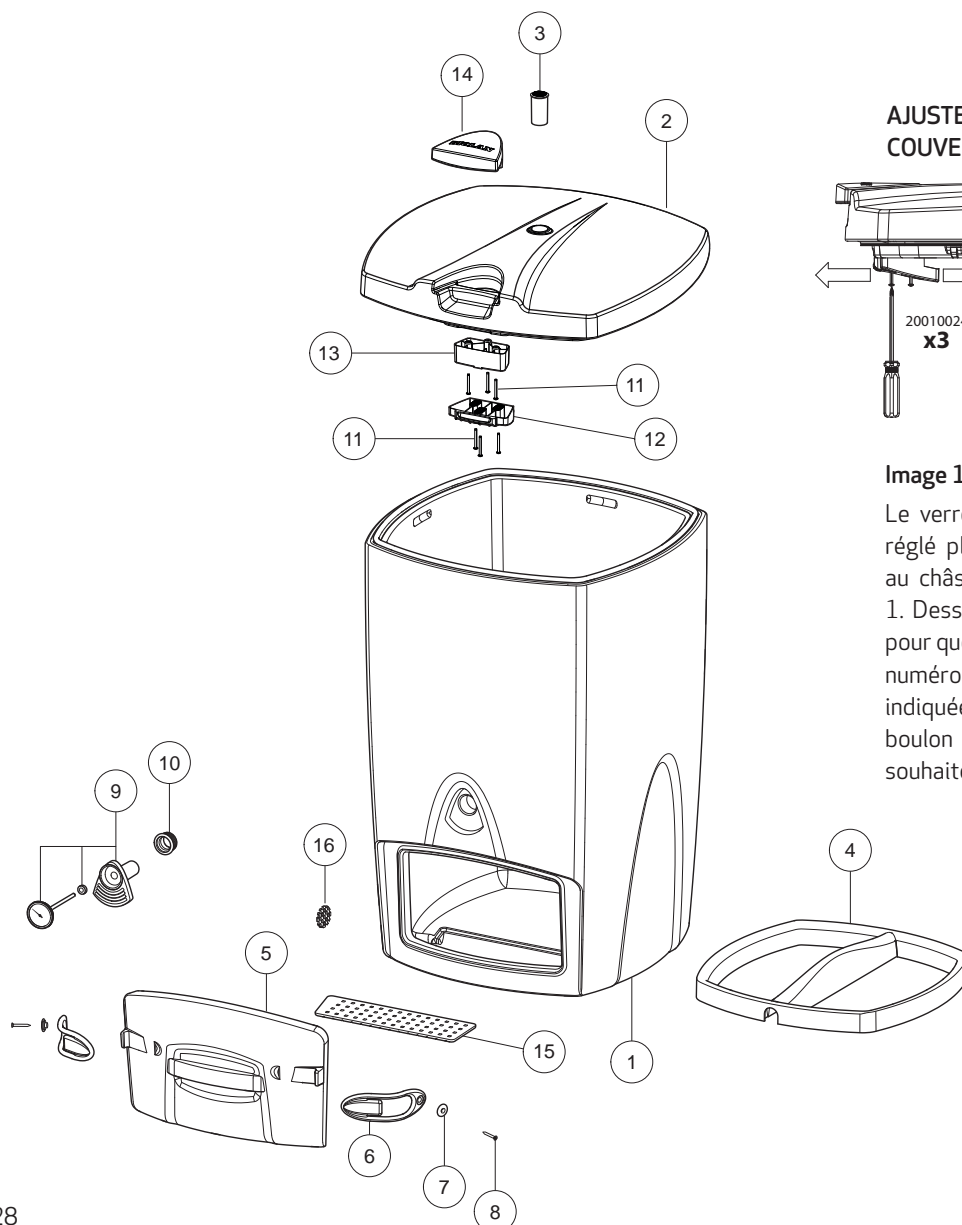
### Dimensions

Volume d'environ	200 l
Capacité de	1 à 6 personnes
selon la quantité et le type de déchets	
Surface du fond (l x p)	54 x 54 cm
Couvercle 62 x 63 (l x p)	62 x 63 cm
Hauteur totale du composteur	100 cm
Hauteur utile	91 cm
Poids approximatif du composteur vide	21 kg
Poids approximatif du composteur plein	100-150 kg
Poids du couvercle à l'ouverture	1.5 kg
Diamètre de l'orifice du lixiviat	32 mm

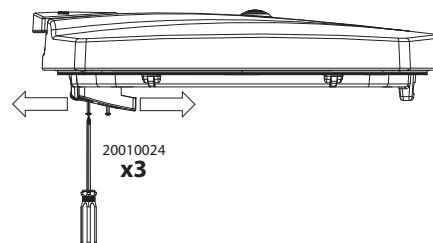
## Liste des pièces

Pièce	Désignation	N° de pièce	Matériau
1	châssis	17792901	PE + PU
2	couvercle	17710040	EPP
3	clapet d'aération	18710400	PP
4	canal d'entrée d'air	18792003	PE
5	trappe de vidange	18790950	PE + PU
6	attache	18710370	EPDM
7	Rondelle du joint d'attache	18726140	PE
8	vis d'attache	20010023	RST
9	clapet de ventilation	18792903	PE
	Joint torique		Silicone
	Thermomètre		RST
10	caoutchouc de traversée 30/40	19780050	EPDM
11	vis de tirette de loquet	20010024	RST
12	Boulon de verrouillage	18704098	PP
13	Pièce de verrouillage	18704097	PP
14	tirette	18704095	PP
15	plaque de séparation des liquides	18710141	PE
16	protection anti-rongeurs	21900020	RST
	Outre les éléments figurant sur l'illustration, le composteur comprend également :		
	Instructions d'utilisation	27579070	Papier
installée	Joint du couvercle	19733220	Silicone
installée	Joint de porte de vidange	19733210	PE

FR



### AJUSTEMENT DU VERROUILLAGE DU COUVERCLE



#### Image 1.

Le verrouillage du couvercle peut être réglé plus ou moins serré par rapport au châssis, comme indiqué sur l'image 1. Desserrez légèrement les vis (3 vis) pour que le boulon de verrouillage (pièce numéro 12) se déplace dans la direction indiquée par les flèches. Installez le boulon de verrouillage à la position souhaitée et serrez les vis.

## 1. Autorisations et réglementations relatives au compostage

Les autorisations et réglementations relatives au compostage varient d'un pays à l'autre, et aussi d'une commune à l'autre. Consultez les services chargés de l'environnement à la mairie la plus proche de votre domicile pour connaître les réglementations en vigueur dans votre municipalité.

## 2. Choisir le bon emplacement du composteur

Placez le Composteur Biodéchets Biolan à un endroit où il est aisé d'amener les déchets et où il est facile de vider le composteur tout au long de l'année.

Placez le composteur sur une surface ferme dans un endroit bien drainé. Veillez à l'installer sur un plan nivelé.

Le Composteur Biodéchets Biolan est muni d'un orifice dans sa partie inférieure gauche pour permettre l'évacuation de l'éventuel excès de liquide. Mettez le composteur en contact direct avec le sol de manière à ce que le liquide qui peut éventuellement s'en échapper soit absorbé par le sol. Vous avez également la possibilité de récupérer le lixiviat (voir point 3.1).

Si la masse de compost est exceptionnellement humide, il se peut que du lixiviat s'échappe de la porte de vidange par en dessous (pièce 5) ou par le clapet d'aération sur la paroi avant (pièce 9).

## 3. Avant toute utilisation

Mettez la plaque de séparation des liquides (pièce 15) en place dans le renforcement situé au fond du composteur, c'est-à-dire dans la goulotte du lixiviat. La plaque de séparation des liquides a pour but de séparer l'éventuel surplus de liquide de la masse de compost. Par la suite, il sera possible de détacher et de nettoyer la plaque.

### 3.1 Raccordement du tuyau d'évacuation du lixiviat et acheminement du liquide

Le Composteur Biodéchets Biolan est muni d'un orifice sur sa partie inférieure gauche pour permettre l'évacuation de l'excès de liquide et son absorption par le sol. Ou bien, si vous voulez, vous pouvez acheminer le lixiviat dans un collecteur, mais ceci n'est pas obligatoire. Retirez la protection antirongeurs de l'orifice de lixiviat, sur le bord inférieur de l'appareil, par exemple en utilisant un tournevis. Raccordez un flexible liquide de 32 mm de diamètre à l'orifice de lixiviat situé sur le bord inférieur de l'appareil. Placez l'autre extrémité du tuyau dans un collecteur situé à un endroit tel que le liquide s'écoule par gravité.

## 4. Mise en service

Déposez sur le fond une couche de cinq centimètres (5 cm) d'épaisseur de Litière Biolan.

Commencez à utiliser le composteur conformément aux instructions du point 5. Pour le premier remplissage, ajoutez une bonne quantité de litière. Par la suite, vous pourrez en mettre moins.

### 4.1 Commencez le processus de compostage

Le compostage commence dès qu'il y a une quantité de déchets suffisante dans le composteur, c'est-à-dire lorsque le composteur est à peu près à moitié plein. Une fois le processus de décomposition entamé, les déchets se transforment en terreau de compost en 5-8 semaines environ. Le démarrage risque d'être retardé si la température extérieure est en dessous de 0°C. Ce sont les micro-organismes qui se développent dans le composteur qui élèvent la température intérieure et la maintiennent, à condition d'y ajouter régulièrement des déchets. L'isolation du composteur maintient la chaleur à l'intérieur et empêche l'air extérieur de refroidir la masse.

Le meilleur indicateur du bon fonctionnement d'un composteur est la qualité de la masse que l'on en retire. Dans un composteur en bon état de marche, le compost parvient à un état de décomposition complet, sauf pour les épiluchures d'agrumes ou les coquilles d'œuf qui peuvent encore être clairement identifiables.

## 5. Utilisation du Composteur Biodéchets Biolan

Ce composteur est destiné uniquement aux déchets biodégradables. N'y mettez pas de matériaux qui risquent de ralentir le processus de compostage ou qui ne se décomposent pas, tels que :

- plastique, caoutchouc, verre, cuir
- produits chimiques, produits de préservation du bois ou désinfectants, peintures, solvants, pétrole
- détergents, eau de lessive
- chaux
- cendres, mégots de cigarette, allumettes
- sacs d'aspirateur
- publicités couleur
- grosse quantité de papier

### 5.1 Remplissage

- Videz le collecteur à biodéchets dans le composteur. Veuillez noter que plus les morceaux que vous mettez dans le composteur sont gros, plus ils mettent de temps à se décomposer.
- Si vous utilisez des sacs biodégradables, videz leur contenu dans le composteur et mettez-y les sacs séparément.
- Recouvrez toujours les déchets avec de la Litière Biolan. Généralement, la bonne quantité est d'environ 1/3-1/2 de la quantité de nouveaux déchets qui ont été ajoutés dans le composteur. Utilisez davantage de litière si les déchets sont humides.
- Continuez à remplir au fur et à mesure que les déchets s'accumulent. Essayez d'ajouter les déchets au composteur plusieurs fois par semaine. C'est particulièrement important pendant la saison froide.
- Mélangez les déchets les plus récents, c'est-à-dire les 20 à 30 cm qui forment la couche supérieure. Par la suite, il ne sera plus nécessaire de mélanger chaque fois que l'on ajoute des déchets. Plus vous ajoutez de litière, moins vous aurez besoin de mélanger la masse.
- Ne mélangez pas la masse de compost jusqu'au fond afin que la couche la plus basse qui a déjà refroidi ne refroidisse pas le compost qui est en phase de réchauffement.

### 5.2 Vidange

- Le Composteur Biodéchets Biolan doit être vidé tout au long de l'année. Videz le composteur lorsqu'il est presque plein, plus souvent en saison froide qu'en saison chaude. Une fois le composteur vidé, il contient plus d'oxygène, ce qui augmente souvent la température à l'intérieur de l'appareil.
- En hiver, videz de petites quantités à la fois. En été vous pouvez vider une plus grande quantité, mais toujours au maximum la moitié du contenu.
- Ouvrez la trappe de vidange (pièce 5) et sortez la masse qui se trouve dans la partie inférieure de l'appareil à l'aide d'une pelle.
- Nettoyez aussi l'espace sous la plaque du séparateur de liquide (pièce 15) et assurez-vous que le tuyau du lixiviat n'est pas bouché.
- Si la masse que vous avez retirée était très mouillée, mettez deux pelles de Litière Biolan au fond du composteur.
- Refermez la trappe de vidange.
- Enfoncez la masse par le haut avec la pelle, par exemple. Ceci est plus facile si on commence par les coins. Faites attention à ne pas endommager l'amenée d'air située au milieu du composteur.
- Si nécessaire, videz le récipient à lixiviat.

FR

### 5.3 À prendre en compte pendant la saison froide

La combustion des déchets génère de la chaleur à l'intérieur du composteur. L'appareil lui-même ne produit aucune chaleur. Les micro-organismes ont régulièrement besoin de déchets frais pour pouvoir continuer à assurer leurs fonctions vitales.

L'isolation thermique du Composteur Biodéchets Biolan empêche la chaleur de s'échapper, ce qui permet un meilleur fonctionnement du composteur et l'aide à ne pas geler.

- Pendant la saison froide, il est important d'utiliser régulièrement le composteur, c'est-à-dire le remplir et le vider. C'est la seule façon de maintenir les conditions à l'intérieur du composteur favorables aux micro-organismes et de poursuivre le processus de compostage.
- Ne réduisez pas la quantité de litière et ne cessez pas d'en mettre pendant la saison froide car c'est le moment où il est particulièrement important d'en utiliser en grandes quantités puisque la masse de compost gèle plus facilement quand elle est mouillée.
- Conservez la litière dans un endroit chaud, à l'abri du gel et de la pluie.
- Assurez-vous que le clapet d'aération (pièces 9 et 3) du composteur ne gèle pas car cela empêcherait une bonne ventilation du composteur. Retirez toute trace de glace.
- Le composteur, ses pièces ou la masse ne seront pas endommagés si la masse elle-même gèle. Le processus de compostage se poursuivra lorsque la masse aura dégelé au plus tard.

### 5.4 Nettoyage du Composteur Biodéchets Biolan

- Ne lavez pas le composteur. Ce sont diverses moisissures et actinomycètes qui font office de décomposeurs dans le compost : il ne faut donc pas les éliminer lors du nettoyage.
- Nettoyez le clapet de ventilation (pièce 9), l'ouverture du clapet d'aération (pièce 3) et le tuyau du lixiviat, si nécessaire.

FR

## 6. Utilisation du compost et du lixiviat dans le jardin

Le compost constitue un excellent améliorant du sol et contient des nutriments ayant un effet durable et sont utilisables par les plantes. Généralement, la terre à compost se divise en deux groupes selon sa maturité : le terreau ou le compost mûr.

### Maturation du terreau de couverture en compost

La masse à vider du Composteur Biodéchets Biolan a généralement atteint la phase de terreau de couverture. Il est recommandé d'utiliser le terreau de couverture uniquement au pied des plantes ornementales. Si vous voulez l'utiliser pour des légumes à consommer, il faut continuer de le composter encore pendant un an afin qu'il puisse se transformer en compost à proprement parler.

### Utilisation du terreau de couverture

Par terreau de couverture, nous entendons la masse de compost semi-mûr. Le processus de décomposition a atteint le niveau où les déchets alimentaires se sont décomposés. Les matériaux ligneux durs, les coquilles d'œuf et les peaux d'agrumes, par exemple, peuvent encore être visibles ; le terreau de couverture a donc un aspect assez grossier. Le compost semi-mûr peut encore contenir des substances qui empêcheront la croissance. Il ne faut donc pas l'utiliser comme substrat de culture. Le terreau de couverture n'est pas nuisible pour les plantes, si on le répand pour couvrir la zone de plantation des plantes ornementales, en couches de quelques centimètres. Les nutriments contenus dans le compost sont ainsi libérés au profit des plantes.

### 6.1 Utilisation du compost mûr

Le pouvoir fertilisant du compost dépend des matières premières qu'il contient. Le compost provenant de déchets ménagers a en général une meilleure valeur nutritive que le compost produit à partir de déchets de jardin. Le simple compost issu des déchets ne fait pas un bon substrat de croissance. Il faut donc le mélanger avec 1/3-1/2 de terre minérale, par exemple du sable, de la vase ou de l'argile.

### 6.2 Utilisation du lixiviat

Si vous avez recueilli le liquide excédentaire provenant du fond du composteur par un tuyau relié à l'orifice de lixiviat du composteur, vous pouvez vous en servir dans le jardin. Il contient des nutriments exploitables par les plantes.

- Pour arroser vos plantes potagères, utilisez le lixiviat dilué à raison de deux volumes d'eau pour un volume de liquide.
- Vous pouvez aussi le recycler en le déversant par le dessus dans la masse contenue dans le Composteur Biodéchets. Ajoutez de la litière et absorbez au maximum 5 litres de liquide par jour. Mais si la masse est déjà humide, n'y rajoutez pas de lixiviat.

## 7. Règlement des problèmes

### 7.1 Odeur de putréfaction

Si le composteur sent la pourriture ou le mois, la masse est trop tassée ou trop humide, ou il n'y a pas assez d'oxygène dans le composteur.

- Assurez-vous que la litière utilisée est bien adaptée à un composteur.
- Assurez-vous que vous avez utilisé une quantité suffisante de Litière Biolan.
- Augmentez temporairement la quantité de litière jusqu'à ce que la masse ne soit plus trop humide.
- N'oubliez pas d'ouvrir et de vider les sacs biodégradables avant de les mettre dans le composteur.
- Videz une partie de la masse humide du composteur à partir de la partie inférieure (voir point 5.2). Mettez-en une couche d'un ou deux centimètres d'épaisseur au pied de vos plantes ornementales. L'odeur désagréable disparaîtra en quelques jours. Ajoutez une ou deux pelletées de Litière Biolan par la porte de vidange (pièce 5) sur le fond du composteur. Comprimez la masse et mélangez-la avec une grande quantité de Litière Biolan.

### 7.2 Odeur d'ammoniac

Si une forte odeur d'ammoniac se dégage du composteur, cela signifie que la masse libère de l'azote. Si la teneur en azote est trop élevée par rapport à la teneur en carbone, les micro-organismes ne pourront pas exploiter l'azote.

- Assurez-vous de ne pas avoir ajouté dans le composteur trop de matériaux contenant de l'azote, par exemple de l'urine ou du fumier de volaille. Arrêtez de mettre trop de produits azotés dans le composteur.
- Ne mettez pas de cendres, ni de chaux dans le composteur.
- Assurez-vous que la litière utilisée est bien adaptée à un composteur.
- Assurez-vous que vous avez utilisé une quantité suffisante de Litière Biolan.
- Augmentez temporairement la quantité de litière que vous utilisez lorsque vous remplissez le composteur jusqu'à ce que l'odeur désagréable disparaisse.
- Mélangez la masse.

### 7.3 Le processus de compostage ne commence pas.

- Retournez la surface de la masse et vérifiez par la trappe de vidange que la masse est bien humide.

#### Si la masse est bien humide :

1. Le processus de compostage n'a pas encore commencé (voir point 4.1). Continuez à remplir le composteur normalement.
2. La quantité de déchets est tellement faible que la température n'est pas assez élevée. Il faudra plus de temps pour que les déchets deviennent du compost. Continuez à utiliser le composteur comme d'habitude. Le facteur encore plus important que celui de la température est de savoir si les déchets ont le temps de se décomposer avant la vidange. Si vous souhaitez accélérer le processus de compostage, ajoutez plus d'azote. Vous pouvez utiliser par exemple l'accélérateur de compostage Biolan conçu pour les composteurs.
3. La masse au fond du composteur a été réduite en compost à un point où elle n'est plus chaude. Videz partiellement le composteur et continuez à l'utiliser.

#### La masse de compost est trop mouillée :

- Assurez-vous que la litière utilisée est bien adaptée à un composteur.
- Assurez-vous que vous avez utilisé une quantité suffisante de Litière Biolan.
- Augmentez temporairement la quantité de litière jusqu'à ce que la masse ne soit plus trop humide.
- Videz la partie la plus humide de la masse du fond du composteur. Ajoutez une ou deux pelletées de Litière Biolan au fond du composteur par la porte de vidange. Comprimez la masse du dessus et mélangez-la avec une grande quantité de Litière Biolan.
- Par la suite, assurez-vous que la masse ne s'humidifie pas trop.

#### La masse de compost est trop sèche :

- Arrosez-la d'eau chaude.
- Enlevez les déchets trop secs du fond du composteur et une fois qu'ils ont été humidifiés, remettez-les dans le composteur.
- Par la suite, veillez à ce que la masse reste suffisamment humide.

#### 7.4 La masse de compost gèle.

- Agissez avant que la masse de compost ne gèle complètement. Si le composteur est plein, videz-le partiellement, aussi en hiver.
- Évitez que la masse ne gèle en utilisant le composteur (c'est-à-dire en le remplissant et en le vidant) afin de permettre aux micro-organismes de rester actifs. Voir les points 5 et 5.1-5.4.
- En hiver, assurez-vous que le composteur est relativement plein ; ne le videz que par petites quantités à la fois.
- Veillez également à la teneur en humidité de la masse de compost : celle-ci gèle plus facilement lorsqu'elle est mouillée (voir point 7.3).
- En hiver, utilisez abondamment de la Litière Biolan. Vous pouvez ajouter à la surface du compost l'accélérateur de compostage Biolan pour favoriser le processus de compostage. Recouvrez d'une couche de litière.
- Pour le garder plus chaud, amassez de la neige autour du composteur.
- Réchauffez la masse en enfouissant, par exemple, un bidon de 10 litres rempli d'eau chaude dans la couche supérieure et changez assez souvent l'eau chaude.

#### 7.5 La masse de compost est trop compacte.

- Ajoutez une bonne quantité de Litière Biolan. Mélangez la litière dans la masse.
- Par la suite, utilisez davantage de litière et veillez à ce que vous ne formiez pas de couches compactes lorsque vous remplissez le composteur, par exemple d'herbe, d'épluchures de légumes racines ou de feuilles.

#### 7.6 Mouches ou asticots dans le composteur

Il risque d'y avoir des mouches dans le compost si la masse est trop mouillée. Les asticots de mouches sont des vers blancs à tête noire. Ils font environ un centimètre de long. Voir aussi le point 7.3.

- Ajoutez une grande quantité de Litière Biolan tout en mélangeant le compost. Par la suite, mettez davantage de litière.
- Retournez la couche de surface et enfouissez-la plus profondément dans le compost. Les asticots de mouches meurent lorsque la température atteint environ +43°C.
- Ajoutez en surface une couche de litière d'environ 2 cm d'épaisseur. Veillez par la suite à bien recouvrir tous les restes de viande et de poisson en particulier.
- Rincez soigneusement les parois intérieures et le couvercle du composteur à l'eau chaude afin de détruire les œufs et les asticots.
- Vous pouvez également pulvériser dans le compost un pesticide contenant de la pyréthrine comme ingrédient actif pour empêcher la présence de mouches. Demandez conseil à votre jardinerie pour choisir le produit adapté.

#### 7.7 Fourmis dans le composteur

Le composteur offre aux fourmis de la nourriture et un environnement favorable. C'est pourquoi il est difficile de les en éloigner. Les fourmis aiment généralement séjourner dans la partie inférieure du composteur pendant la phase de refroidissement. Les fourmis ne sont pas nuisibles au compostage.

- Assurez-vous que la masse n'est pas trop sèche.
- Vous dérangerez le confort relatif des fourmis en sortant régulièrement de petites quantités de compost.

#### 7.8 Moisissures dans le compost

Les moisissures font partie des organismes en décomposition dans un composteur, et leur présence est normale.

- Ne retirez pas les moisissures.
- Continuez à utiliser le composteur comme d'habitude.

#### 7.9 Champignons dans le composteur

Les champignons décomposent les matériaux ligneux (bois) de la masse tels que la substance grossière qui compose la litière et leur présence dans le composteur est normale.

- N'empêchez pas la présence de champignons car ils disparaissent d'eux-mêmes.
- Continuez à utiliser le composteur comme d'habitude.

#### Mise au rebut

Les matériaux dont est fait le produit sont indiqués dans la liste (p. 29). Chaque pièce doit être éliminée de la manière appropriée. Conformez-vous toujours aux instructions régionales et à celles des points de collecte.



Pour la collecte des déchets recyclables en énergie ou le recyclage du plastique :

EPDM = éthylène-propylène

PE = polyéthylène

PP = polypropylène

EPP = polypropylène expansé

Pour la collecte des déchets recyclables en énergie :

PU = polyuréthane

Silicone

Pour le recyclage du métal :

RST = acier inoxydable

Pour la collecte des déchets de papier :  
Papier

FR

#### Informations relatives à la garantie

**Le Composteur Biodéchets Biolan est garanti un (1) an.**

1. La garantie est valable à partir de la date d'achat et couvre les éventuels défauts de matériau et de fabrication. Elle ne couvre pas les dommages indirects.
2. À sa discrétion, Biolan Oy se réserve le droit de réparer ou de remplacer les pièces endommagées.
3. Tous les dommages résultant d'une manipulation négligente ou brutale de l'appareil, du non-respect des instructions du mode d'emploi ou de l'usure normale ne sont pas couverts par cette garantie.

Pour toutes questions liées à la garantie, nous vous invitons à vous adresser directement à Biolan Oy.

# Biojätmete komposter

## Kasutusjuhend

Biolani Biojätmete komposter on ette nähtud bioloogiliste köögijätmete aastaringseks kompostimiseks. Tänu soojustatud konstruktsioonile ja tõhusale ventilatsioonisüsteemile valmib kompost kiiresti. Biojätmete komposter on arvestatud ühe perekonna biojätmete kompostimiseks. Biojätmete kompostris õigesti ja korralikult tehtud kompost on tumepruun, sömer materjal, mis sarnaneb läbikõdunenud sõnnikuga.

### Sisukord

Mõõtmed	33
Osade loend	34
1. Kompostimist käsitlevad load ja eeskirjad	35
2. Kompostri asukoha valimine	35
3. Enne kasutuselevõttu	35
3.1 Imbvedeliku vooliku ühendamine ja vedeliku ärajuhtimine	35
4. Kasutuselevõtt	35
4.1 Kompostimise käivitamine	35
5. Biolani Biojätmete kompostri kasutamine	35
5.1 Täitmine	35
5.2 Tühjendamine	35
5.3 Kasutamine külmal aastaajal	36
5.4 Biolani biojätmete kompostri puhastamine	36
6. Komposti ja imbvedeliku kasutamine aias	36
6.1 Kõrge kompostmulla kasutamine	36
6.2 Imbvedeliku kasutamine	36
7. Tõrkeotsing	36
7.1 Mäda lõhn	36
7.2 Ammoniaagi lõhn	36
7.3 Kompostimisprotsess ei käivitu	36
7.4 Kompostimass jääb tihedaks	37
7.5 Kompostimass on liiga tihedaks	37
7.6 Kompostis on kärbsed või kärbsede vastsed	37
7.7 Sipelgad kompostis	37
7.8 Hallitus kompostis	37
7.9 Seened kompostis	37
Toote utiliseerimine	37
Garantii	37

**ET**

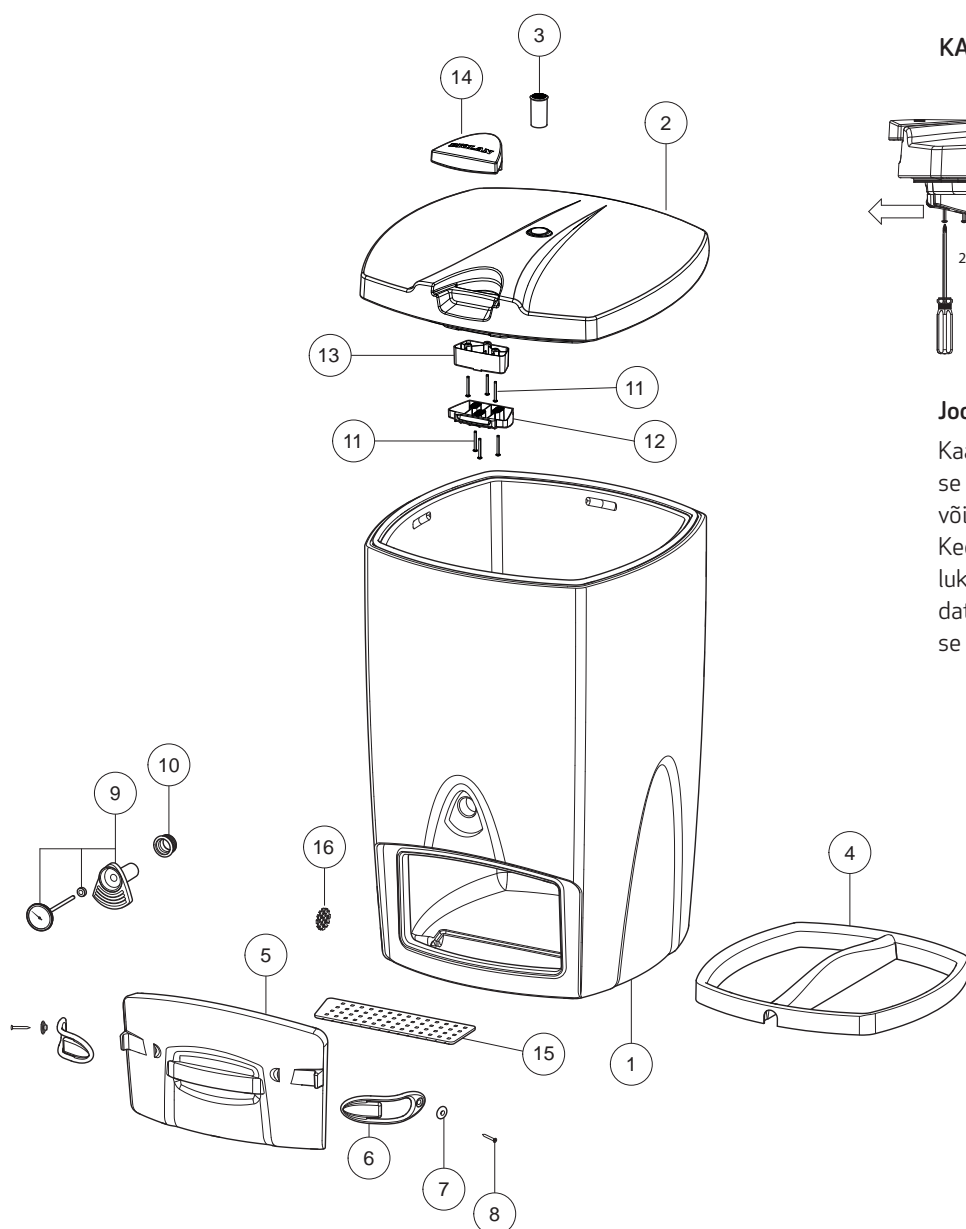

### Mõõtmed

Maht umbes	200 liitrit
Mõeldud sõltuvalt jäätmete liigist ja kogusest	1–6 liikmelisele perele
Põhja mõõtmed (l × s)	54 × 54 cm
Kaane mõõtmed (l × s)	62 × 63 cm
Kompostri kõrgus	100 cm
Töö kõrgus	91 cm
Tühja kompostri kaal	21 kg
Täis kompostri kaal umbes	100–150 kg
Kaane mass avamisel	1.5 kg
Imbvedeliku ava läbimõõt	32 mm

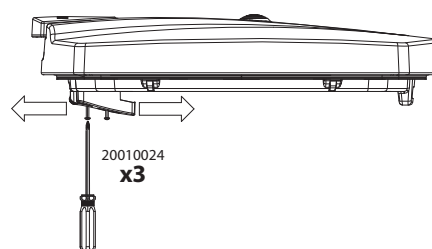


## Osade loend

Osa	Nr	Osa nr	Materjal
1	Korpus	17792901	PE+PU
2	Kaas	17710040	EPP
3	Õhutoru	18710400	PP
4	Õhuskanal	18792003	PE
5	Tühjendusluugi kaas	18790950	PE+PU
6	Sulgur	18710370	EPDM
7	Kummist sulguri seib	18726140	PE
8	Sulguri kruvi	20010023	RST
9	Õhu sisselaskeklapp	18792903	PE
	Rõngastihend		Silikoon
	Termomeeter		RST
10	Läbiviiguava kummiäärrik 30/40	19780050	EPDM
11	Käepideme kinnitamise kruvid	20010024	RST
12	Lukuriiv	18704098	PP
13	Lukukorpus	18704097	PP
14	Käepide	18704095	PP
15	Vedeliku eraldusplaat	18710141	PE
16	Näriliste tõke (imbvedeliku avasse)	21900020	RST
	Komposti juurde kuuluvad lisaks koostejoonisel näidatule veel:		
	Kasutusjuhend	27579070	Paber
Paigaldatud	Kaane tihend	19733220	Silikoon
Paigaldatud	Tühjendusluugi tihend	19733210	PE



### KAANE LUKU REGULEERIMINE



#### Joonis 1.

Kaane luku kinnitumise tugevust korpusse külge saab reguleerida tugevamaks või lõdvemaks, nagu on näha joonisel 1. Keerake kruvid (3 kruvi) kergelt lahti, et lukuriiv (osa nr 12) liiguks nooltega näidatud suunas. Liigutage lukuriiv sobivasse kohta ja keerake kruvid kinni.

ET

## 1. Kompostimist käsitlevad load ja eeskirjad

Kompostimist käsitlevad load ja nõuded võivad igas riigis, samuti igas kohalikus omavalitsuses erineda. Küsige kohaliku omavalitsuse keskkonnaspetsialistilt, millised on teie piirkonnas kehtivad eeskirjad.

## 2. Kompostriale asukoha valimine

Paigutage Biolani Biojäätmete komposter kohta, kuhu on mugav jätmeid viia ja kompostrit aastaringselt tühjendada.

Asetage komposter tugevale aluspinnale kohas, kus kuhu ei kogune seisvat vett. Asetage komposter horisontaalselt.

Biolani Biojäätmete kompostril on taga alumises servas äravoolu jaoks imbvedeliku ava. Asetage komposter otse maapinnale nii, et imbvedelik saaks pinnasesse nõrguda. Teine võimalus on imbvedelikku koguda (vt punkt 3.1).

Kui kompostimass on väga märg, võib vedelikku imbuda ka tühjendamislugu (osa 5) alt ja välja imbuda õhu sisselaskeklaapi kaua esiseinas (osa 9).

## 3. Enne kasutuselevõttu

Asetage vedeliku eraldamise plaat (osa 15) kompostri põhjas asuvasse süvendisse (imbvedeliku äravool). Vedeliku eraldamise plaadi eesmärgiks on eraldada kogu üleliigne vedelik kompostimassist. Vajadusel saab plaadi eemaldada ja seda puhastada.

### 3.1 Imbvedeliku vooliku ühendamine ja vedeliku ärajuhtimine

Biolani Biojäätmete kompostri taga, alumises servas on imbvedeliku ava, mille kaudu nõrgub liigne vedelik pinnasesse. Soovi korral võite imbvedeliku juhtida kogumisanumasse, kuid see pole kohustuslik. Eemaldage kompostri põhjaservast imbvedeliku avalt näriliste tõke näiteks kruvikeerajaga. Ühendage 32 mm läbimõõduga vedelikuvoolik kompostri taga alumises servas oleva imbvedeliku avaga. Juhtige voolik anumasse mis on paigutatud nii, et vedelik voolaks allamäge.

## 4. Kasutuselevõtt

Puistake kompostri põhja viie (5 cm) sentimeetri paksune kiht Biolani Komposti- ja kuivkäimlaturvast.

Alustage kompostri kasutamist nagu on kirjeldatud punktis 5 Esimese täitmise ajal kasutage soovitatust rohkem sideainet, hiljem võite selle kogust vähendada.

### 4.1 Kompostimise käivitumine

Kompostimine käivitub, kui kompostis on piisavalt jätmeid, s.t ligikaudu pool kompostist on täidetud. Kui protsess on käivitunud, muutuvad jätmed kattedekompostiks ligikaudu viie kuni kaheksa nädalaga. Protsessi käivitumine võib olla aeglasem, kui välistemperatuur on alla 0 °C. Temperatuuri kompostis tõstab ja säilitab selles arenevate mikroorganismide elutegevus, kui jätmeid lisatakse korrapäraselt. Kompostri termoisolatsioon hoiab soojust ja takistab välisõhul kompostimassi jahutamist.

Hästitoimiva kompostri tööd iseloomustab kõige paremini tühjendatava komposti kvaliteet. Kompostis lagunevad jätmed lõplikult, välja arvatud tsitrusviljad või munakoored, mis võivad olla veel eristatavad.

## 5. Biolani Biojäätmete kompostri kasutamine

Komposter on ette nähtud ainult biolagunevate köögijäätmete kompostimiseks. Ärge lisage kompostrisse midagi, mis võiks kompostimist takistada või ei komposteeruks, näiteks:

- plast, kumm, klaas, nahk;
- kemikaalid, puidukaitsevahendid ja desinfitseerivad ained, värvid, lahustid, bensiin;
- puhastusvahendid, pesuvesi;
- lubi;
- tuhk; suitsukonid, tikud;
- tolmuimejakotid;
- värvilised reklaamlehed;
- suur kogus paberit.

### 5.1 Täitmine

- Tühjendage biojätmed kompostrisse. Mida suuremad jätmetükid te kompostrisse panete, seda kauem need lagune.
- Kui kasutate biolagunevaid prügikotte, tühjendage koti sisu kompostrisse ja kott pange eraldi.
- Katke jätmed alati Biolani Komposti- ja kuivkäimlaturbaga. Sobiv kogus on umbes kolmandik kuni pool kompostrisse lisatud värske jätmete kogusest. Märgade jätmete korral võiks kompostiturvast lisada rohkem.
- Jätke kompostri täitmist vastavalt sellele, kuidas jätmeid tekib. Püüdke kompostrisse jätmeid lisada mitu korda nädalas. Eriti tähtis on see külmal aastaajal.
- Kobestage kõige värske jätme kihti kompostikobestiga umbes 20–30 cm sügavuselt. Kobestamine ei ole iga täitmise järel tingimata vajalik. Mida rohkem sideainet kasutate, seda vähem vajab kompost segamist.
- Ärge segage kogu kompostimassi põhjani läbi, et kõige alumised jahtunud kihid ei jahutaks veel sooja kompostimassi.

### 5.2 Tühjendamine

- Biojäätmete kompostrit tuleb tühjendada olenemata aastaajast. Tühjendage komposter, kui see on peaaegu täielikult täitunud. Soojal aastaajal ärge võtke kompostrit välja rohkem kui pool kogu selle sisust. Lisanduva hapniku tõttu tõstab tühjendamine sageli massi temperatuuri.
- Tühjendage kompostrit külmal aastaajal sagedamini kui soojal aastaajal, aga vähem korraga.
- Avage tühjendamisluk (osa 5) ja tõstke massi alt labidaga välja.
- Puhastage ka imbvedeliku plaadi (osa 15) alumine pool ja veenduge, et imbvedeliku voolik ei ole ummistunud.
- Kui eemaldatav mass on väga märg, lisage kompostri põhja mõni labidatäis Biolani komposti- ja käimlaturvast.
- Sulgege tühjendamisluk.
- Vajutage kompostikobesti või labidaga mass alla. Lihtsam on alustada nurkadest. Olge ettevaatlik, et te ei vigastaks kompostri keskel asuvat õhu sisselaskeklaapi.
- Vajadusel tühjendage imbvedeliku mahutit.

ET

## 5.3 Kasutamine külmal aastaajal

Kuumus kompostis tekib ainete lagunemise tagajärjel, seade ise energiat ei tooda. Mikroorganismid vajavad elutegevuse säilitamiseks pidevalt värskeid jätmeid.

Biolani Biojätmete kompostri termoisolatsioon takistab soojakadusid ja soodustab kompostri toimimist ning soojana püsimist.

- Kompostri regulaarne kasutamine, s.t täitmine ja tühjendamine on külmal aastaajal väga oluline. Ainult nii võib kompostis välja kujuneda mikroorganismidele sobilik keskkond, et need suudaksid välisõhust kõrgemat temperatuuri säilitada.
- Ärge vähendage ega lõpetage komposti ja käimlaturba kasutamist külmal aastaajal. Turba piisav kasutamine on eriti oluline, kuna märg kompost külmub kiiremini.
- Säilitage komposti ja kuivkäimlaturvast vihma eest kaitstud ja soojas kohas.
- Veenduge, et kompostri õhu sisse- ja väljalaskeklapid (osad 9 ja 3) ei külmuks, sest see takistab kompostri õiget ventilatsiooni. Vajaduse korral eemaldage tekkinud jää.
- Massi jäätumine ei kahjusta kompostit, selle osi ega kompostimassi. Kompostimisprotsess jätkub kohe peale kompostimassi sulamist.

## 5.4 Biolani biojätmete kompostri puhastamine

- Ärge peske kompostit. Komposti lagundavad mitmesugused hallitus- ja kiirikseened, mis pesemisel hävinevad.
- Vajadusel puhastage õhu sisselaskeklappi (osa 9), õhu väljalaskeava (osa 3) ja imbvedeliku voolikut (kui on komplektis) veega.

## 6. Komposti ja imbvedeliku kasutamine aias

Kompost on suurepärase maaparandusaine, mis sisaldab taimedele vajalikke pikatoimelisi toitaineid. Kompostimuld liigitatakse küpsuse järgi: poolküps kattekompost ja küps kompostimuld.

### Kattekomposti lagunemine kompostmullaks

Biolani Biojätmete kompostri saadud mass on tavaliselt lagununud kattekomposti faasis. Kattekomposti on soovitatav kasutada ilutaimede peenarde multšiks. Kui soovite kattekompost lisada söödavatele taimedele, peate seda järelkompostima veel ühe aasta, et see valmiks korralikuks kompostmullaks.

### Kattekomposti kasutamine

Kattekomposti all peetakse silmas poolküpset komposti. Sel juhul on kompost valminud sedavõrd, et toidujätmed on lagununud. Kõvemad puutükid ning nt kanamunade ja tsitrusviljade koored võivad olla veel lagunemata, mistõttu on kattekompost jämedateraline. Poolvalmis kompostis võib olla säilinud taimede idanemist ja kasvu pärssivaid aineid, mistõttu seda ei sobi kasutada kasvualusena. Kattekompost pole taimedele kahjulik, kui seda laotada mõne sentimeetri paksuselt ilutaimede istutuspinna katteks. Kompostis sisalduvad toitained on nii taimedele kättesaadavad.

## 6.1 Küpse kompostmulla kasutamine

Komposti väetamisefekt oleneb selle toorainest. Majapidamisjätmetest valmistatud kompost on enamasti kõrgema toiteväärtusega kui aiajätmetest valmistatud kompost. Kompostimuld ei ole hea kasvupinna, seetõttu võiks kompostile lisada 1/3–1/2 mineraalmulda (nt liiva, saviliiva, savi).

## 6.2 Imbvedeliku kasutamine

Kui olete kompostri imbvedeliku ava külge ühendatud vooliku kaudu kogunud kompostri põhjast erituvat liigset imbvedelikku, võite selle aias ära kasutada. Imbvedelik sisaldab toitaineid taimedele vastuvõetaval kujul.

- Aiataimede kastmiseks lahjendage imbvedelikku veega suhtes vähemalt 1:2.
- Imbvedelikku saab taaskasutada Biojätmete kompostis, valades selle tagasi kompostimassi. Lisage komposti- ja käimlaturvast ja imendage sellesse kuni 5 liitrit imbvedelikku ööpäevas. Kui mass on juba märg, ärge niisutage seda enam imbvedelikuga.

## 7. Tõrkeotsing

### 7.1 Mäda lõhn

Kui kompostri levib roiskunud või mäda lõhna, on kompostimassi liiga tihe või niiske ja hapnikku ei ole piisavalt.

- Veenduge, et kasutatav sidusaine on Biolani kompostri ja käimlaturvast ning et seda oleks kasutatud piisavalt.
- Suurendage ajutiselt sideaine Kompostri ja Käimlaturba kogust kuni normaalne niiskus taastub.
- Avage ja tühjendage biolagunevad kotid kindlasti enne nende kompostrisse asetamist.
- Eemaldage märg mass kompostri põhjast (vt punkt 5.2). Hajutage multš dekoratiivtaimede ümber paari sentimeetri paksuse kihina. Ebameeldiv lõhn kaob paari päevaga. Lisage paar labidatäit Biolani komposti- ja käimlaturvast tühjendamislugi kaudu (osa 5) kompostri põhja. Suruge mass ülevalt alla ja segage turvas kompostiga läbi.

### 7.2 Ammoniaagi lõhn

Kui tunnete kompostri ammoniaagilõhna, eraldub kompostimassist lämmastikku. Kui lämmastikku on süsinikuga võrreldes liiga palju, ei suuda mikroorganismid seda ära kasutada.

- Veenduge, et kompostrisse ei ole lisatud suures koguses lämmastikku sisaldavat ainet, näiteks uriini või kanasõnnikut. Lõpetage kompostri täitmine liigselt lämmastikku sisaldavate jätmetega.
- Ärge lisage kompostrisse tuhka ega lupja.
- Veenduge, et kasutatav turvas on Biolani Komposti- ja Käimlaturvast.
- Veenduge, et Biolani Komposti- ja Käimlaturvast on kasutatud piisavalt.
- Suurendage ajutiselt Biolani komposti- ja käimlaturba kogust, kuni ebameeldiv lõhn kaob.
- Segage kompostimassi.

### 7.3 Kompostimisprotsess ei käivitu

- Segage kompostimassi pealmist kihti ja veenduge, et mass oleks piisavalt niiske.

### Kui mass on piisavalt niiske.

1. Kompostimine pole veel alanud (vt punkt 4.1) Jätkake kompostri tavapärasest täitmist.
2. Jätmete kogus on nii väike, et kompostri sisetemperatuur pole piisavalt kõrge. Jätmete lagunemisprotsess kestab kauem. Jätkake kompostri tavapärasest kasutust. Kõrgest temperatuurist olulisem on see, kas jätmetel on olnud kompostimiseks piisavalt aega enne kompostri tühjendamist. Kui soovite kompostimist kiirendada, lisage rohkem lämmastikku. Kompostimisprotsessi kiirendamiseks lisage Biolani kompostiäratajat.
3. Kompost on niivõrd lagununud, et kõrge temperatuuri faas on lõppenud. Tühjendage komposter ja jätkake kompostri kasutamist.

ET

### Kompostimass on liiga märg.

- Veenduge, et kasutatav sidusaine on Biolani komposti- ja käimlaturvas.
- Suurendage ajutiselt Komposti- ja Käimlaturba kogust, kuni normaalne niiskus taastub. Eemaldage komposti põhjast kompostimassi kõige märgem osa. Lisage paar labidatäit Biolani komposti- ja käimlaturvast tühjendamislugu kaudu komposti põhja. Vajutage mass kompostikobesti abiga alla ning lisage Biolani Komposti ja kuivkäimlaturvast.
- Veenduge edaspidi, et kompostimass poleks liiga märg.

### Kompostimass on liiga kuiv.

- Massi niisutamiseks kasutage sooja vett.
- Segage põhjast võetud liiga kuivad jätmed pärast kastmist uuesti kompostrisse.
- Veenduge edaspidi, et kompostimass säiliks piisavalt niiskena.

## 7.4 Kompostimass jäätub

- Tegutsege enne, kui kompostimass jäätub. Kui komposter on täis, tühjendage seda ka talvel.
- Külmutumise ärahoidmiseks kasutage kompostit (= seda täites ja tühjendades), et säilitada mikroorganismide elutegevus. Vt punkte 5 ja 5.1–5.4.
- Hoidke komposter talvel piisavalt täis ja tühjendage seda sageli ja väikeste portsjonitena.
- Talvel on kompostimassi niiskuse aste väga oluline. Märg kompostimass külmub kergemini (vt punkt 7.3).
- Kasutage talvel piisavalt Biolani Komposti- ja Käimlaturvast. Kompostimis intensiivistamiseks lisage pindmisele kihile Biolani kompostiäratajat. Puistake peale kiht Biolani komposti- ja käimlaturvast.
- Komposti lisaosjuseks kuhjake selle ümber lund.
- Kompostimassi soojendamiseks asetage selle sisse kuuma veega täidetud kanister. Vahetage vett kanistris piisavalt sageli.

ET

### 7.5 Kompostimass on liiga tihe

- Lisage ohtralt Biolani komposti- ja käimlaturvast. Segage sidusaine kompostimassi hulka.
- Veenduge, et komposti täitmisel ei tekiks tihedaid rohu- ja juurviljade koorte, lehtede jne kihte.

### 7.6 Kompostis on kärbsed või kärbeste vastsed

Kui mass on liiga märg, võib juhtuda, et kompostis tekivad kärbsed. Vt ka punkt 7.3

Lisage Biolani komposti- ja käimlaturvast, segage kompostimassi pindmine kiht sügavamalt võetud kompostimassiga. Kärbsed hukkuvad umbes 43 kraadise temperatuuri juures. Kärbeste vastsed on ligikaudu ühe sentimeetri pikkused musta peaga valged ussid.

- Lisage pealmisele kihile umbes 2 cm sidusaine kiht. Edaspidi veenduge, et jätmed, eriti liha- ja kalajääd, oleksid korralikult kaetud.
- Kärbsemunade ja vastsete hävitamiseks uhtuge komposti siseseinad ja kaas üle kuuma veega.
- Kärbeste tekkimise vältimiseks võite komposti hulka pihustada toimeainena pürteriini sisaldavat putukamürki. Sobiva tõrjevahendi valimiseks pöörduge aianduskaupluse poole.

### 7.7 Sipelgad kompostis

Kompostis on toitu ja see on hea keskkond sipelgatele, mis tähendab, et neid on keeruline eemal hoida. Sipelgad elavad kõige meelsamini komposti alaosas jahtunud kompostimassis. Sipelgad ei kahjusta kompostimist.

- Veenduge, et kompostimass poleks liiga kuiv.
- Sipelgaid häirib komposti regulaarne tühjendamine väikeste koguste kaupa.

### 7.8 Hallitus kompostis

Kui kompostis on hallitus või seened, ei ole vaja muretseda, sest need mõlemad kuuluvad komposti lagundajate hulka.

- Ärge eemaldage hallitust.
- Jätkake komposti tavapärasest kasutust.

### 7.9 Seened kompostis

Seened lagundavad kompostis sisalduvat puitu (nt komposti ja käimlaturba toorainet) ja seente olemasolu kompostis on normaalne nähtus.

- Jätke seened kompostis kasvama, need kaovad iseenesest.
- Jätkake komposti tavapärasest kasutust.

## Toote utiliseerimine

Toote valmistamiseks kasutatud materjalid on välja toodud osade loendis (lk. 34). Kõik komponendid utiliseeritakse vastavalt antud teabele. Järgige alati piirkondlikke ja kogumispunkti saadud juhiseid.



PE-LD



PE-HD



PP

Ringlussevõtt energia või plastjätmeteks:

EPDM = etüleen-propüleen

PE = polüetüleen

PP = polüpropüleen

EPP = Vahustatud polüpropüleen

Ringlussevõtt energia jätmeteks:

PU = poliüretaan

Silikoon

Metalli ringlussevõtt:

RST = roostevaba teras

Vanapaberi kogumine:

Paber

## Garantii

### Biolani Biojätmete komposti garantii kestab üks (1) aasta.

1. Garantii kehtib alates ostukuupäevast ja kehtib kõikidele võimalikele materjalidele ja tootmisdefektidele. Garantii ei kata kaudseid kahjusid.
2. Biolan Oy jätab endale õiguse otsustada defektse detaili parandamise või asendamise üle.
3. Käesolev garantii ei kata seadmega hooletusest või jõulisest kasutamisest, juhiste eiramisest, või normaalse kulumise tõttu tekkinud kahjusid.

Garantiiga seotud küsimustes pöörduge otse ettevõtte Biolan Oy poole.



# BIOLAN

## Bioloģisko atkritumu kompostētājs Lietošana

Biolan bioloģisko atkritumu kompostētājs paredzēts virtuves atkritumu kompostēšanai visa gada garumā, kā arī auglīgas augsnes un ekoloģiska mēslojuma iegūšanai. Pateicoties siltumizolācijai un efektīvai ventilācijas sistēmai, gatavais komposts tiek iegūts ātri, viegli un nepārtraukti.

### Saturs

Izmēri	38
Detāļu saraksts	39
1. Atļaujas un noteikumi attiecībā uz kompostēšanu	40
2. Kompostētājam paredzētās vietas izvēle	40
3. Pirms lietošanas	40
3.1. Filtrāta šļūtenes pievienošana un šķidruma novadīšana	40
4. Sagatavošana	40
4.1. Kompostēšanas uzsākšana	40
5. Bioloģisko atkritumu kompostētāja lietošana	40
5.1. Piepildīšana	40
5.2. Iztukšošana	40
5.3. Iespējamās problēmas aukstajā gadalaikā	41
5.4. Bioloģisko atkritumu kompostētāja tīrīšana	41
6. Komposta un filtrāta izmantošana dārzā	41
6.1. Nogatavinātas komposta augsnes izmantošana	41
6.2. Filtrāta izmantošana	41
7. Iespējamās problēmas	41
7.1. Puvuma smaka	41
7.2. Amonjaka smaka	41
7.3. Kompostēšanas process nesākas	41
7.4. Komposta masa sasalst	42
7.5. Komposta masa ir pārāk blīva	42
7.6. Kompostā ir mušas vai to kāpuri	42
7.7. Kompostētājā ir skudras	42
7.8. Kompostā ir pelējums	42
7.9. Kompostā ir sēnes	42
Izstrādājuma utalizācija	42
Garantija	42



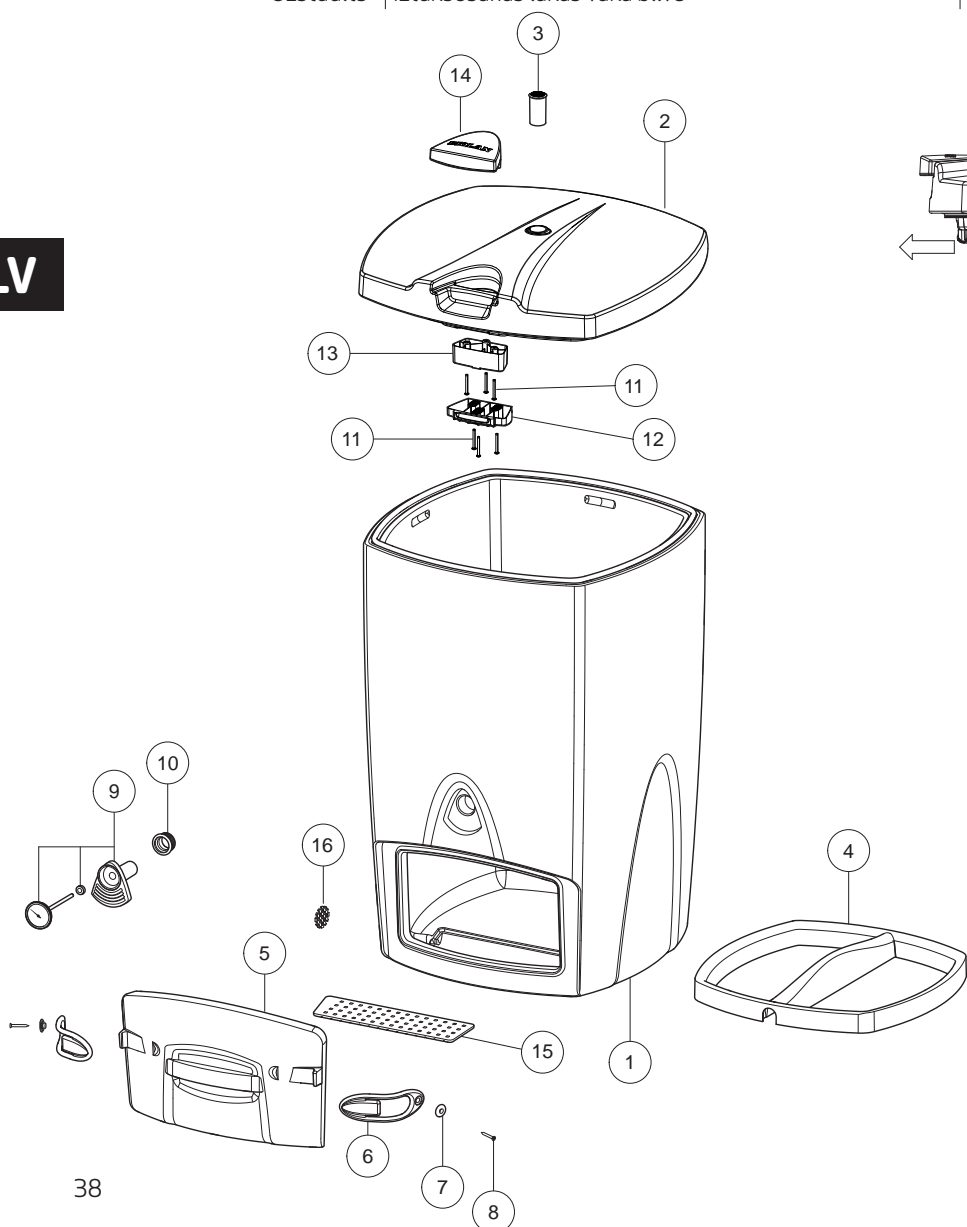
LV

### Izmēri

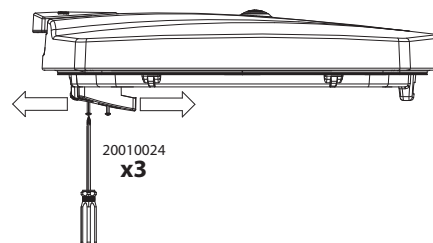
Tilpums aptv.	200 litri
Paredzēts ģimenei līdz atkarībā no atkritumu daudzuma un veida	6 personām
Apakšas laukums (platums x dziļums)	54 x 54 cm
Vāka daļa (platums x dziļums)	62 x 63 cm
Kopējais kompostētāja augstums	100 cm
Darba augstums	91 cm
Tukša kompostētāja svars aptuveni	21 kg
Pilna kompostētāja svars aptuveni	100–150 kg
Atverta vāka svars	1.5 kg
Filtrācijas šķidruma atveres diametrs	32 mm

## Detalū saraksts

Detalja	Detaljas nosaukums	Detaljas nr.	Materiāls
1	Korpuss	17792901	PE + PU
2	Vāks	17710040	EPP
3	Gaisa izplūdes vārsts	18710400	PP
4	Gaisa ieplūdes kanāls	18792003	PE
5	Iztukšošanas lūkas vāks	18790950	PE + PU
6	Slēdzene	18710370	EPDM
7	Slēdzenes blīve	18726140	PE
8	Slēdzenes skrūve	20010023	RST
9	Gaisa ieplūdes vārsts	18792903	PE
	Blīvģredzens		Silikons
	Termometrs		RST
10	Gumijas caurvads 30/40	19780050	EPDM
11	Roktura stiprināšanas skrūve	20010024	RST
12	Fiksācijas skrūve	18704098	PP
13	Fiksācijas elements	18704097	PP
14	Rokturis	18704095	PP
15	Šķidruma atdalīšanas plāksne	18710141	PE
16	Aizsargs pret grauzējiem	21900020	RST
	Papildus detaļām, kas parādītas detaļu attēlā, bioloģisko atkritumu kompostētāja sastāvā ir iekļauti:		
	Lietošanas instrukcija	27579070	Papīrs
Uzstādīts	Vāka blīve	19733220	Silikons
Uzstādīts	Iztukšošanas lūkas vāka blīve	19733210	PE



### VĀKA FIKSATORA REGULĒŠANA



#### 1. attēls.

Vāka fiksatoru var noregulēt stingrāk vai brīvāk attiecībā pret rāmi, kā parādīts 1. attēlā. Nedaudz atskrūvējiet skrūves (3 gab.) tā, lai fiksācijas bultskrūve (daļa Nr. 12) pārvietotos ar bultiņām parādītajā virzienā. Uzstādiet atbilstošajā vietā fiksācijas bultskrūvi un pievelciet skrūves.

## 1. Atļaujas un noteikumi attiecībā uz kompostēšanu

Atļaujas un noteikumi attiecībā uz kompostēšanu ir atšķirīgi dažādās valstīs un pašvaldībās. Sazinieties ar savas pašvaldības vides dienestu, lai uzzinātu, kādi noteikumi ir spēkā jūsu pašvaldībā.

## 2. Kompostētājam paredzētās vietas izvēle

Novietojiet Biolan bioloģisko atkritumu kompostētāju vietā, kur visa gada garumā varēsiet ērti piekļūt un atkritumus iztukšot to.

Novietojiet kompostētāju uz stabilas virsmas vietā, kur neuzkrāsies ūdens. Novietojiet kompostētāju vertikālā stāvoklī.

Biolan bioloģisko atkritumu kompostētāja apakšdaļas kreisajā pusē ir ierīkota filtrāta atvere, caur kuru liekais filtrāts iztek no kompostētāja. Novietojiet kompostētāju tieši uz zemes, lai filtrāts var iesūkties augsnē tā, lai to iespējams savākt (skat. 3.1. punktu).

Ja komposta masa ir īpaši slapja, neliels daudzums filtrāta šķidruma var izplūst arī pa iztukšošanas lūku (skat. 5) vai pilēt no gaisa iepļūdes vārsta, kas uzstādīts kompostētāja priekšpusē (skat.9).

## 3. Pirms lietošanas

Ievietojiet šķidruma atdalīšanas plāksni (skat. 15) tai paredzētajā padziļinājumā kompostētāja apakšdaļā (filtrāta šķidruma drenāža). Šķidruma atdalīšanas plāksne no komposta masas atdala visu lieko šķidrumu. Ja nepieciešams, plāksni var izņemt un notīrīt.

### 3.1. Filtrāta šļūtenes pievienošana un šķidruma novadīšana

Biolan bioloģisko atkritumu kompostētāja apakšdaļas kreisajā pusē ir ierīkota filtrāta atvere, pa kuru liekais filtrāts iztek no kompostētāja un iesūcas zemē. Ja vēlaties, filtrātu varat novadīt atsevišķā traukā, taču tas nav obligāti. Izmantojot skrūvgriezi vai līdzīgu priekšmetu, noņemiet no filtrāta atveres aizsargsietu pret grauzējiem, kas uzstādīts kompostētāja apakšdaļā. Kompostētāja apakšdaļā filtrāta atverei pievienojiet 32 mm diametra šļūteni, kas paredzēta filtrāta izvadīšanai. Otru šļūtenes galu ievietojiet traukā, kas novietots vietā, kur filtrāts var brīvi tek lejup.

## 4. Sagatavošana

Kompostētāja dibenā iebēriet piecu centimetru (5 cm) kārtu Biolan Pakaišu kompostam un sausajām tualetēm.

Sāciet kompostētāja lietošanu atbilstoši 5. punktā sniegtajiem norādījumiem. Pirmo reizi atkritumus kompostētājā, izmantojiet vairāk saistvielas nekā ieteikts. Vēlāk saistvielas daudzumu varat samazināt.

### 4.1. Kompostēšanas uzsākšana

Kompostēšanas process sākas, tiklīdz kompostētājā ir pietiekams atkritumu daudzums, t. i., kad kompostētājs ir piepildīts aptuveni līdz pusei. Kompostēšanas procesā mikroorganismi sadala organiskos materiālus aptuveni piecu līdz astoņu nedēļu laikā. Ja temperatūra ir zemāka par nulli, sākotnējā kompostēšanas stadija var palēnināties. Augsta temperatūra norāda uz mikroorganismu aktīvo darbību (ar nosacījumu, ka jūs regulāri pievienojat svaigus atkritumus). Pateicoties siltumizolācijai, siltums uzkrājas kompostētāja iekšpusē, un ārējais aukstais gaiss neiekļūst komposta masā.

Vislabāk par atbilstošu kompostētāja darbību liecina gatavās komposta masas kvalitāte. Labi funkcionējošā kompostētājā atkritumi ir pilnīgi sadalījušies, izņemot citrusaugļu mizas vai olu čaumalas, kuru daļas masā vēl var atpazīt.

## 5. Bioloģisko atkritumu kompostētāja lietošana

Kompostētājs ir paredzēts bioloģiski sadalāmiem atkritumiem. Nelieciet kompostētājā neko tādu, kas varētu kavēt kompostēšanas procesu vai neveidot kompostu, piemēram:

- plastmasu, gumiju, stiklu, ādu;
- ķīmikālijas, koksnes aizsarglīdzekļus, dezinfekcijas līdzekļus, krāsas, šķīdinātāju, benzīnu;
- mazgāšanas līdzekļus un mazgāšanas ūdeni;
- kaļķi;
- pelnus, izsmēkus, sērkokciņus;
- putekļsūcēja maisiņus;
- krāsainus reklāmas papīrus;
- lielu papīra daudzumu vienā reizē.

### 5.1. Piepildīšana

- Iztukšojiet bioloģisko atkritumu trauka saturu kompostētājā. Jo lielāka izmēra atkritumus ieliksiet kompostētājā, jo ilgāks būs to sadalīšanās process.
- Ja izmantojat bioloģiski sadalāmo atkritumu maisiņus, vispirms iztukšojiet tā saturu kompostētājā un maisiņu tajā ielieciet atsevišķi.
- Vienmēr pārklājiet virtuves atkritumus ar Biolan pakaišiem kompostam un sausajām tualetēm. Ieteicamais daudzums ir apmēram viena 1/3 – 1/2 no kompostētājā beramu atkritumu apjoma. Mitriem atkritumiem lietojiet vairāk saistvielas.
- Turpiniet kompostētāja uzpildīšanu, tiklīdz rodas jauni atkritumi. Ieteicams vairākas reizes nedēļā. Tas ir īpaši svarīgi aukstajā sezonā.
- Uzirdiniet svaigāko iepildīto atkritumu virskārtni aptuveni 20–30 cm dziļumā. Irudināšana nav obligāta katrā uzpildīšanas reizē. Jo bagātīgāk izmantosiet saistvielu, jo mazāk masa būs jāirdina.
- Nemaisiet kompostu līdz apakšai, lai jau atdzisušais apakšējais slānis neatdzēsētu siltu komposta masu.

### 5.2. Iztukšošana

- Bioloģisko atkritumu kompostētājs ir jāiztukšo visa gada garumā. Iztukšojiet kompostētāju, kad tas ir gandrīz pilns ar atkritumiem. Aukstajā sezonā kompostētājs ir jāiztukšo biežāk nekā siltajā sezonā. Iztukšotā kompostētājā ir vairāk skābekļa, kura ietekmē kompostētājā paaugstinās temperatūra.
- Ziemā vienā reizē izņemiet tikai nelielu daudzumu komposta. Vasarā varat izņemt vairāk komposta, taču ne vairāk kā pusi no visa satura.
- Atveriet iztukšošanas lūkas vāku (skat. 5.) un ar lāpstu izņemiet masu caur no kompostētāja apakšējās daļas.
- Iztīriet arī filtrāta atdalīšanas plāksnes apakšējo pusi (skat. 15.) un pārliecinieties, vai filtrāta šļūtene nav aizsērējusi.
- Ja izņemtā masa ļoti slapja, kompostētāja pamatnē iebēriet dažas lāpstas Biolan Pakaišu kompostam un sausajām tualetēm.
- Aizveriet iztukšošanas lūkas vāku.
- Ar komposta maisītāju vai lāpstu grūdiet masu no augšas uz leju. To ir vieglāk izdarīt, sākot no stūriem. Uzmanieties, lai nesabojātu kompostētāja vidusdaļā esošo gaisa iepļūdes kanālu.
- Ja nepieciešams, iztukšojiet filtrāta trauku.

### 5.3. Iespējamās problēmas aukstajā gadalaikā

Kompostēšanas procesā izdalās siltums, kas paātrina organisko atkritumu sadalīšanos un nodrošina slimību izraisītāju mikroorganismu un nezāļu seklu bojāeju; pati ierīce siltumu nerada. Lai nodrošinātu mikroorganismu izdzīvošanai labvēlīgu vidi, regulāri jāpievieno svaigi atkritumi.

Biolan bioloģisko atkritumu kompostētāja siltumizolācija novērš komposta masas sasalšanu un veicina kompostēšanas procesu.

- Gada aukstajā laikā ir īpaši svarīgi regulāri izmantot kompostētāju, t. i., uzpildīt un iztukšot to. Tikai tādā veidā var nodrošināt nepārtrauktam kompostēšanas procesam nepieciešamo un mikroorganismu izdzīvošanai labvēlīgu vidi.
- Nesamaziniet un nepārtrauciet saistvielas kompostam un sausajām tualetēm lietošanu aukstajā sezonā, jo tieši šajā periodā ir īpaši svarīgi lietot pietiekamu daudzumu saistvielas. Turklāt slapja komposta masa sasilst ātrāk.
- Glabājiet saistvielu siltā vietā, kur tie netiek pakļauti mitruma ietekmei.
- Uzraugiet, lai kompostētāja gaisa ieplūdes un izplūdes vārsts (skat. 9. un 3.) neaizsalst, citādi kompostētājā netiks nodrošināta pareiza ventilācija. Ja nepieciešams, noņemiet ledu.
- Sasalusi komposta masa nekojās ne kompostētāju ne tā daļas, ne arī komposta masu. Komposta masas sadalīšanās turpināsies, tiklīdz masa sāk sasilt.

### 5.4. Bioloģisko atkritumu kompostētāja tīrīšana

- Nemazgājiet kompostētāju. Dažādas pelējuma un starainās sēnes jeb antinomicētes un mikroorganismi ir svarīgi jo veicina komposta sadalīšanos, tāpēc tos nedrīkst nomazgāt no kompostētāja.
- Ja nepieciešams, iztīriet gaisa ieplūdes vārstu (9. daļa), gaisa izplūdes vārstu (3. daļa) un filtrāta šļūteni (ja tāda ir uzstādīta).

## 6. Komposta un filtrāta izmantošana dārzā

Komposts ir lielisks līdzeklis augsnes uzlabošanai. Tas satur augiem nepieciešamas ilgas iedarbības barības vielas. Komposta augsne tiek iedalīta divās grupās pēc tās gatavības pakāpes: svaigs komposts jeb mulčas komposts un nogatavojies komposts jeb komposta augsne.

### Svaiga komposta nogatavināšana par komposta augsni

No Biolan bioloģisko atkritumu kompostētāja izņemamā masa parasti ir nogatavojusies līdz svaiga komposta jeb mulčas tipa stadijai. Mulčas tipa jeb svaigs komposts nekaitē augiem, to var lietot tikai dekoratīvo augu saknēm. Ja vēlaties mulču izmantot pārtikā lietojamiem augiem, turpiniet tās kompostēšanu vēl vienu gadu, lai komposts nogatavojas līdz komposta augsnes stadijai.

### Mulčas izmantošana

Par mulču tiek dēvēta daļēji nogatavojusies komposta masa. Sadalīšanās process ir nonācis līdz tādām līmenim, kad pārtikas atkritumi jau ir sadalījušies. Cietākie kokmateriāli un, piemēram, olu čaumalas un citrusaugļu mizas, var vēl nebūt pilnībā sadalījušies, tādēļ pusgatavais mulčas tipa komposts izskatās visai raupjš. Pusgatavs komposts vēl var saturēt vielas, kas aizkavē augšanu un dīgspēju, tādēļ to nevar izmantot par augsni. Pusgatavais komposts nav kaitīgs augiem, ja to izklāj dažus centimetru biezā slānī kā mulču uz augsnes virsmas zem dekoratīvo augu zariem. Tādējādi augi var izmantot kompostā esošās barības vielas.

### 6.1. Nogatavinātas komposta augsnes izmantošana

Komposta augsnes mēslojuma īpašības ir atkarīgas no tās izejvielu sastāva. No sadzīves atkritumiem iegūtam kompostam parasti ir lielāka uzturvērtība nekā kompostam, kas iegūts no dārza atkritumiem. Komposts vien neveido labu augsnes substrātu, tāpēc tas ir jā sajauc ar vismaz vienu trešdaļu līdz pusi minerālaugsnes, piemēram, smiltīm, smilšmālu vai mālu.

### 6.2. Filtrāta izmantošana

Ja kompostētāja filtrāta atverei pievieno šļūteni, lai savāktu pamatnē ieteicējošo lieko filtrātu, tad šo filtrātu varat izmantot dārzā. Filtrāta unikālās barības vielas uzlabo augsnes struktūru un bagatina to ar humusu un mineralvielām.

- Sajauciet filtrātu ar ūdeni (attiecībā vismaz 1:2) un izmantojiet to dārza augu laistīšanai.
- No bioloģisko atkritumu kompostētāja iegūto filtrātu varat ieliet atpakaļ komposta masā. Pievienojiet pakaišus un iesūciniet tajos ne vairāk kā 5 litrus filtrāta diennaktī. Ja masa jau ir slapja, nelaistiet to vairāk ar filtrāta šķidrumu.

## 7. Iespējamās problēmas

### 7.1. Puvuma smaka

Ja kompostētājā veidojas puvas vai pelējuma smaka, komposta masa ir pārmērīgi blīva vai slapja, vai arī kompostētājā nav skābekļa.

- Izmantojiet tikai kompostētājam paredzētus Biolan Pakaišus kompostam un sausajām tualetēm.
- Izmantojiet pietiekamu daudzumu speciālo pakaišu.
- Lietojiet vairāk pakaišu, līdz komposta masa vairs nav pārmērīgi slapja.
- Pirms bioloģiski sadalāmo maisiņu ievietošanas kompostētājā, vienmēr atveriet un iztukšojiet tosaturu.
- Izņemiet daļu slapjās masas caur kompostētāja iztukšošanas lūku (skatīt 5.2. punktu). Izklājiet to dažus centimetru biezā slānī kā mulču uz augsnes virsmas zem dekoratīvo augu zariem. Pēc dažām dienām nepatīkamā smaka izzudīs. Caur iztukšošanas lūku (5. detaļa) ielieciet kompostētāja pamatnē dažas lāpstas tiesu Biolan Pakaišu kompostam un sausajām tualetēm. Nogrūdiet masu uz leju un uzberiet slāni Biolan Pakaišu kompostam un sausajām tualetēm.

### 7.2. Amonjaka smaka

Ja kompostētājā veidojas asa amonjaka smaka, no komposta masas izdalās slāpekļis. Ja slāpekļa ir pārāk daudz attiecībā pret oglekli, mikroorganismi nespēs to lietderīgi izmantot.

- Pārbaudiet, vai kompostētājā nav ielikts pārāk daudz slāpekli saturošu atkritumu, piemēram, urīnvielas vai vistu mēsli. Nepievienojiet kompostam pārāk daudz slāpekli saturošus atkritumus.
- Nelieciet kompostētājā pelnus vai kaļķi.
- Izmantojiet tikai kompostētājam paredzētu speciālu saistvielu.
- Izmantojiet pietiekamu daudzumu Biolan Pakaišu kompostam un sausajām tualetēm.
- Lietojiet vairāk pakaišu, kad uzpildāt kompostētāju, līdz nepatīkamā smaka vairs nav jūtama.
- Samaisiet komposta masu.

### 7.3. Kompostēšanas process nesākas

- Maisot komposta masas virsējo slāni un iskatoties iztukšošanas lūkas komposta konsistenci, pārliecinieties, ka komposta masa ir pietiekoši mitra.

### Komposta masa ir pietiekoši mitra

1. Kompostēšanas process vēl nav sācies (skatīt 4.1. punktu). Turpiniet uzpildīt kā ierasts.
2. Atkritumu daudzums ir pārāk mazs, tādēļ temperatūra kompostētājā nav pietiekoši augsta. Atkritumi ilgāk sadalās. Turpiniet kompostētāja lietošanu kā ierasts. Izšķiroša nozīme ir nevis augstai temperatūrai, bet gan tam, vai atkritumi paspēj sadalīties pirms kompostētāja iztukšošanas. Lai paātrinātu kompostēšanas procesu, pievienojiet kompostam nedaudz slāpekļa, kompostētājam paredzēto Biolan komposta irdinātāju.
3. Kompostētāja apakšdaļā esoša komposta masa ir sadalījusies līdz tādai pakāpei, kad tā vairs nerada karstumu. Iztukšojiet daļu komposta masas un turpiniet kompostētāja lietošanu.



### Komposta masa ir pārāk slapja

- Izmantojiet tikai kompostētājam paredzētu saistvielu.
- Izmantojiet pietiekamu daudzumu Biolan Pakaišu kompostam un sausajām tualetēm.
- Lietojiet vairāk pakaišu, līdz komposta masa vairs nav pārmērīgi slapja. Masai jābūt tik mitra kā nospiešam sūklim – rokas saslapina, bet nedrīkst pilēt!
- Caur izņemiet slapjāko komposta masas daļu. Atveriet iztukšošanas lūku un ielieciet kompostētāja pamatnē pāris lāpstu Biolan Pakaišu kompostam un sausajām tualetēm. nospiediet masu no augšas uz leju un bagātīgi iemaisiet tajā Biolan Pakaišus kompostam un sausajām tualetēm. Turpmāk uzraugiet, lai masa nekļūst pārāk mitra.

### Komposta masa ir pārāk sausa

- samitriniet kompostu ar
- Izņemiet no kompostētāja apakšdaļas pārāk sausus atkritumus, samitriniet tos un pēc tam ielieciet atpakaļ kompostētājā.
- Turpmāk uzraugiet, lai masa vienmēr ir pietiekami mitra.

### 7.4. Komposta masa sasalst

- Rīkojieties, komposta masa nav pilnībā sasalusi. Ja kompostētājs ir pilns, izņemiet daļu masas arī ziemā, jo aukstajā sezonā kompostētājs ir jāiztukšo biežāk nekā siltajā sezonā. Iztukšotā kompostētājā ir vairāk skābekļa, kura ietekmē kompostētāja paaugstinās temperatūra.
- Novērsiet sasalšanu, izmantojot kompostētāju (uzpildot un iztukšojot), tādējādi nodrošinot mikroorganismu izdzīvošanai labvēlīgu vidi. Skatiet 5. nodaļā un 5.1.–5.4. punktus sniegtos norādījumus.
- Centieties, lai ziemā kompostētājs būtu pilns, bet iztukšojiet biežāk un mazākam devām.
- Pievērsiet uzmanību komposta masas mitruma pakāpei, jo mitra masa ātrāk sasalst (skatīt 7.3. punktu).
- Ziemā bagātīgi izmantojiet Biolan Pakaišus kompostam un sausajām tualetēm. Komposta virsējai kārtai uzberiet Biolan līdzekli kompostēšanai, lai veicinātu kompostēšanas procesu. Pārklājiet to ar saistvielu.
- Salieciet ap kompostētāju sniegu, kas nodrošinās papildu siltumizolāciju.
- Uzsildiet komposta masu, ierokot tās virskārtā, piemēram, ar karstu ūdeni piepildītu 10 l kannu, un pietiekami bieži nomaiņiet ūdeni.

### 7.5. Komposta masa ir pārāk blīva

- Bagātīgi pievienojiet Biolan Pakaišus kompostam un sausajām tualetēm. Iemaisiet pakaišus komposta masā.
- Turpmāk izmantojiet lielāku daudzumu pakaišu un uzpildes laikā uzraugiet, lai neveidojas blīvi pļauts zāles, lapu vai dārzenų mizu slāņi.

### 7.6. Kompostā ir mušas vai to kāpuri

Pārmērīgi slapja komposta masa ir labvēlīga mušu vairošanās vide. Mušu kāpuri ir apmēram centimetru gari, balti tārpi ar melnu galu. Skatīt arī 7.3. punktu.

- Maisot bagātīgi pievienojiet Biolan Pakaišu kompostam un sausajām tualetēm, un turpmāk lietojiet to vairāk.
- Iejauciet komposta masas virsējo kārtu dziļāk kompostā. Mušu kāpuri iet bojā apmēram +43 °C temperatūrā.
- Iberiet uz virsmas apmēram 2 cm biezu slāni ar Pakaišu kompostam un sausajām tualetēm. Turpmāk uzraugiet, lai gaļas un zivju atliekas ir rūpīgi noklātas.
- Rūpīgi noskalojiet kompostētāja iekšējās sienas un vāku ar karstu ūdeni, lai iznīcinātu mušu oļiņas un kāpurus.
- Ja vēlaties, varat iznīcināt mušas, izsmidzinot insekticīdu, kura aktīvā viela ir piretrīns. Padomu par piemērota produkta izvēli jautāiet dārza preču veikalā.

### 7.7. Kompostētājā ir skudras

Kompostētājā skudras atrod barību un ērtu, patīkamu vidi dzīvošanai, tāpēc tās ir grūti padzīt. Parasti skudras mājokli ierīko apakšdaļā, atdzi. Skudras nekaitē kompostēšanas procesam.

- Uzraugiet, lai komposta masa nav pārāk sausa.
- Lai traucētu skudru mieru, regulāri izņemiet nelielu daudzumu komposta.

### 7.8. Kompostā ir pelējums

Pelējuma sēnes ir daļa no kompostu sadalošajiem organismiem, tādēļ to klātbūtne kompostā ir normāla parādība.

- Atstājiet pelējumu.
- Turpiniet kompostētāja lietošanu kā ierasts.

### 7.9. Kompostā ir sēnes

Sēnes sadala kompostā esošo koksnī, piemēram kūdras rupjo materiālu, tādēļ to klātbūtne kompostā ir normāla parādība.

- Atstājiet sēnes — tās izzudīs pašas no sevis.
- Turpiniet kompostētāja lietošanu kā ierasts.

### Izstrādājuma utalizācija

Izstrādājumā izmantotie materiāli ir norādīti detaļu sarakstā (39. lpp.). Katra detaļa ir jāutilizē atbilstoši. Noteikti ievērojiet reģionālos un attiecīgā savākšanas punkta norādījumus.

Sekundāro energoresursu vai plastmasas atkritumu savākšanas punktā:



EPDM = etilēna-propilēns  
PE = polietilēns  
PP = polipropilēns  
EPP = Uzputots polipropilēns

Elektroierīču atkritumu savākšanas punktā:  
PU = poliuretāns  
Silikons

Metāla atkritumu savākšanas punktā:  
RST = nerūsošs tērauds

Papīra atkritumu savākšanas punktā:  
Papīrs



### Garantija

**Biolan Bioloģisko atkritumu kompostētājam ir viena (1) gada garantija.**

1. Garantija ir spēkā no pirkuma datuma, un tā attiecas uz iespējamiem materiālu un izgatavošanas defektiem. Garantija neattiecas uz jebkādiem netiešiem bojājumiem.
2. Uzņēmums "Biolan Oy" patur tiesības pēc saviem ieskatiem izlemt par bojātu daļu remontu vai maiņu.
3. Šī garantija neattiecas uz jebkādiem bojājumiem, ko izraisījusi pavirša ierīces lietošana vai lietošana, piemērojot pārmērīgu spēku, kā arī šīs lietošanas instrukcijas neievērošana vai ierīces parasta nolietojums.

Ja rodas jautājumi saistībā ar garantiju, sazinieties tieši ar uzņēmumu "Biolan Oy".

# Organinių atliekų kompostinė

## Naudojimo instrukcija

„Biolan“ organinių atliekų kompostinė skirta virtuvės atliekoms kompostuoti ištisus metus. Apšildyta konstrukcija ir veiksminga ventiliacijos sistema organines atliekas greitai paverčia kompostu. Ši kompostinė apskaičiuota vienos šeimos virtuvės atliekų kompostavimui. Tinkamai prižiūrint „Biolan“ organinių atliekų kompostinę, atliekos kompostuojamos efektyviai, kompostavimo procesas vyksta sklandžiai, todėl šią kompostinę patogiu ir paprastu naudoti.

### Turinys

Matmenys	43
Detalių sąrašas	44
1. Kompostavimo leidimai ir nuostatai	45
2. Tinkamos kompostinės vietos pasirinkimas	45
3. Prieš pradėdant naudoti	45
3.1 Skysčių žarnos pritvirtinimas ir skysčio išleidimas	45
4. Eksploatavimo pradžia	45
4.1 Kompostavimo proceso pradžia	45
5. „Biolan“ organinių atliekų kompostinės naudojimas	45
5.1 Pildymas	45
5.2 Ištuštinimas	45
5.3 Į ką būtina atsižvelgti šaltuoju metų laikotarpiu	46
5.4 „Biolan“ organinių atliekų kompostinės valymas	46
6. Komposto ir atskiriamo skysčio naudojimas darže	46
6.1 Subrandinto komposto naudojimas	46
6.2 Atskiriamo skysčio naudojimas	46
7. Problemų sprendimas	46
7.1 Puvėsių kvapas	46
7.2 Amoniako kvapas	46
7.3 Kompostavimo procesas neprasideda	46
7.4 Komposto masė užšąla	47
7.5 Komposto masė per tanki	47
7.6 Kompostinėje yra musių ar jų lervų	47
7.7 Kompostinėje yra skruzdėlių	47
7.8 Kompostinėje yra pelėsių	47
7.9 Kompostinėje yra grybų	47
Produkto utilizavimas	47
Garantija	47

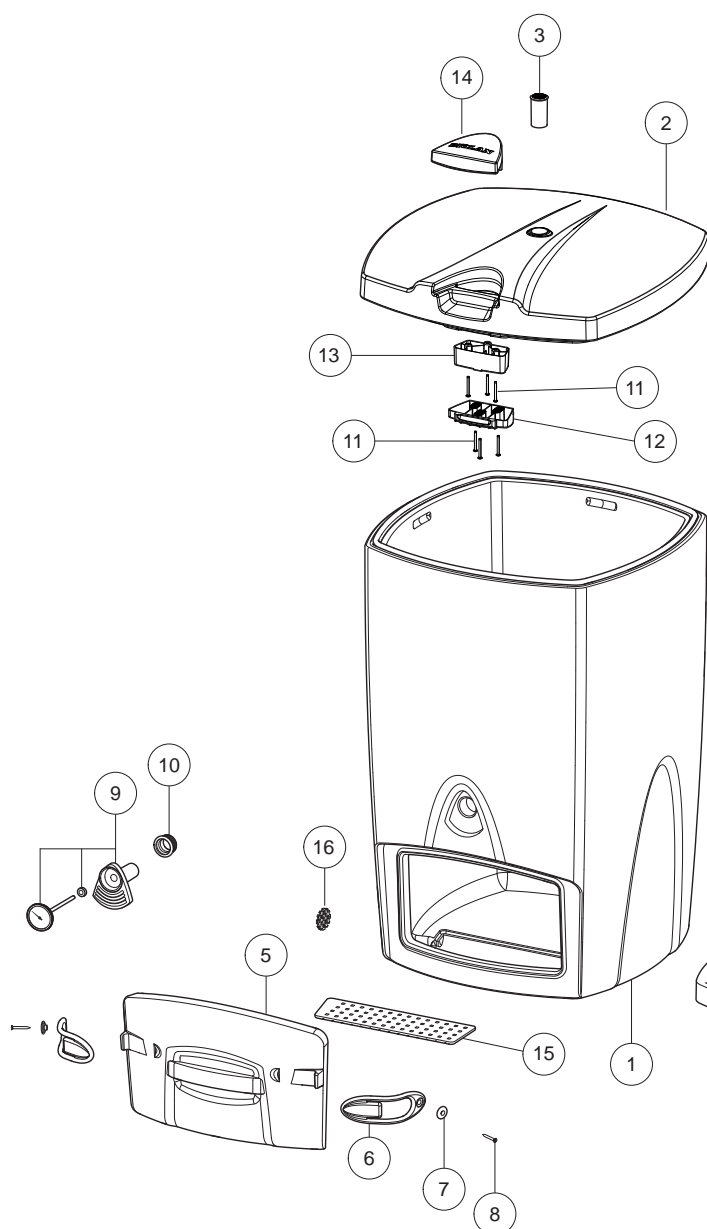
**LT**


### Matmenys

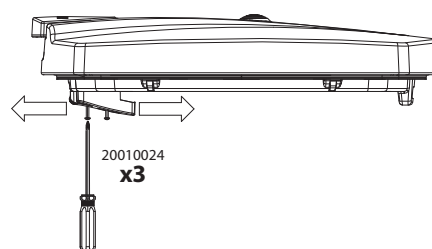
Talpa apie	200 litrų
Skirtas atsižvelgiant į atliekų kiekį ir tipą	1–6 asmenų šeimai,
Dugno matmenys (p x g)	54 x 54 cm
Dangčio matmenys (p x g)	62 x 63 cm
Bendras kompostinės aukštis	100 cm
Darbinis aukštis	91 cm
Tuščios kompostinės svoris apie	21 kg
Užpildytos kompostinės svoris apie	100–150 kg
Dangčio svoris	1.5 kg
Skysčių pašalinimo angos skersmuo	32 mm

## Detalių sąrašas

Detalė	Pavadinimas	Detalės Nr.	Medžiagos
1	Korpusas	17792901	PE+PU
2	Dangtis	17710040	EPP
3	Oro vožtuvas	18710400	PP
4	Ortakis	18792003	PE
5	Ištuštinimo durelės	18790950	PE+PU
6	Ištuštinimo durelių sklendė	18710370	EPDM
7	Varžto poveržlė (durelių sklendei)	18726140	PE
8	Varžtas (durelių sklendei)	20010023	RST
9	Paduodamo oro vožtuvas	18792903	PE
	Tarpiklis		Silikonas
	Termometras		RST
10	Guminė tarpmovė 30/40	19780050	EPDM
11	Dangčio fiksatoriaus varžtas	20010024	RST
12	Fiksavimo varžtas	18704098	PP
13	Užraktas	18704097	PP
14	Rankenėlė	18704095	PP
15	Skysčių talpyklos apsauginė plokštė	18710141	PE
16	Apsauga nuo graužikų	21900020	RST
	Be paveikslėlyje pavaizduotų detalių kompostinės sudėtyje taip pat yra:		
	Naudojimo instrukcija	27579070	Popierius
Sumontuota	Dangčio tarpiklis	19733220	Silikonas
Sumontuota	Ištuštinimo durelių tarpiklis	19733210	PE



### DANGČIO UŽRAKTO REGULIAVIMAS



#### 1 pav.

Dangčio užraktas gali būti pritvirtintas prie rėmo laisviau arba tvirčiau, kaip parodyta 1 paveikslėlyje. Atsukite šiek tiek varžtus (3), kad fiksavimo varžtas (detalė Nr. 12) pajudėtų rodyklėmis pavaizduota kryptimi. Įstatykite fiksavimo užraktą į tinkamą padėtį ir prisukite varžtus.

LT

## 1. Kompostavimo leidimai ir nuostatai

Su kompostavimu susiję leidimai ir reglamentavimas skiriasi priklausomai nuo šalies ar net savivaldybės. Įsitikinkite dėl galiojančių reglamento nuostatų kreipdamiesi į savivaldybės aplinkos apsaugos pareigūnus.

## 2. Tinkamos kompostinės vietos pasirinkimas

„Biolan“ organinių atliekų kompostinę statykite ant tvirto pagrindo, tokioje vietoje, kur nesikaupia stovintis vanduo bei būtų patogiu būdu bet kuriuo metų laiku nunešti ir išmesti atliekas bei išimti kompostą. Įsitikinkite, kad kompostinė stovi lygiai.

Galimas skysčio perteklius iš kompostinės pasišalina per atskiriamo skysčio ertmę, kuri yra kompostinės apačioje, kairėje pusėje. Geriau kompostinę statyti tiesiai ant žemės, kad dirva sugertų perteklinį skystį. Susidariusį perteklinį skystį taip galite surinkti bei panaudoti (žr. 3.1 skyrių).

Jei kompostavimo masė yra neįprastai drėgna, atskiriamas skystis gali sunktis ir pro ištuštinimo durelių (5 detalė) apačią, ir pro kompostinės priekyje esantį paduodamo oro vožtuvą (9 detalė).

## 3. Prieš pradėdant naudoti

Įstatykite apsauginę plokštę (15 detalė) į kompostinės apačioje esančią įpjovą (atskiriamo skysčio išleidimui). Skysčio atskyrimo plokštės paskirtis – nuo komposto masės atskirti perteklinį skystį. Reikalui esant, plokštę galima išimti ir išplauti.

### 3.1 Skysčių žarnos pritvirtinimas ir skysčio išleidimas

„Biolan“ organinių atliekų kompostinės apačioje, kairiojoje pusėje yra perteklinio skysčio anga, per kurią iš kompostinės tiesiai į dirvą išleidžiamas perteklinis skystis. Jei norite, perteklinį skystį galite surinkti į kokią nors talpyklą, tačiau tai nėra būtina. Atsuktuvu ar kitu įrankiu, nuimkite nuo kompostinės apačioje esančios atskiriamo skysčio angos apsaugą nuo graužikų. Prijunkite prie angos 32 mm skersmens skysčio žarną. Kitą žarnos galą įkiškite į talpyklą, kuri turėtų būti pastatyta tokioje vietoje, kad skystis tekėtų žemyn.

## 4. Eksploatavimo pradžia

Į kompostinės dugną supilkite 5 cm storio „Biolan“ kompostinių ir sausųjų tualetų durpių sluoksnį.

Pradėkite naudoti kompostinę, kaip aprašyta 5 skyriuje. Kai pirmą kartą dėsite į kompostinę atliekas, naudokite daugiau šių specialiųjų durpių nei rekomenduojama – vėliau kiekį galėsite sumažinti.

### 4.1 Kompostavimo proceso pradžia

Kompostavimo procesas prasidės, kai kompostinėje bus pakankamai atliekų, t. y., kai kompostinė bus pripildyta maždaug iki pusės. Procesui prasidėjus, atliekos naudingomis medžiagomis praturtintomis žemėmis pavirs per maždaug 5–8 savaites. Proceso pradžia gali būti lėtesnė, jei lauko temperatūra yra žemesnė nei 0 °C. Mikroorganizmai, kurie pradeda daugintis kompostinės viduje, padidins temperatūrą ir ją palaikys, jei į kompostinę bus reguliariai dedamos šviežios atliekos.

Šiluminės izoliacijos dėka šiluma kaupiama komposterio viduje, o išorėje esantis šaltas oras nepatenka į komposto masę.

Geriausias tinkamai veikiančios kompostinės rodiklis – komposto masės kokybė. Jei kompostinė veikia gerai, atliekos bus suirusios, beveik vientisos masės, išskyrus citrusinių vaisių žieveles ar kiaušinių lukštus, kurie dar gali būti aiškiai matomi, mažai suirę.

## 5. „Biolan“ organinių atliekų kompostinės naudojimas

Kompostinė skirta tik biologiškai suyrančioms medžiagoms. Nedėkite į kompostinę nieko, dėl ko kompostavimo procesas galėtų sulėtėti arba visiškai nevykti. Pvz., nedėkite:

- plastiko, gumos, stiklo, odos;
- cheminių medžiagų, medienos antiseptikų ir dezinfekavimo priemonių, dažų, tirpiklių, benzino;
- valiklių, plovimo vandens;
- kalkių;
- pelenų, nuorūkų, degtukų;
- dulkių siurblių maišų;
- spalvoto reklamų popieriaus;
- didelio kiekio popieriaus.

### 5.1 Pildymas

- Išpilkite virtuvines atliekas į kompostinę. Atminkite: kuo didesnės atliekos dėsite į kompostinę, tuo ilgiau jos irs.
- Jei naudojate biologiškai suyrančius šiukšlių maišus, išpilkite maišo turinį į kompostinę, o maišą įmeskite atskirai.
- Atliekas visada užberkite „Biolan“ kompostinių ir sausųjų tualetų durpėmis. Tinkamas kiekis – maždaug 1/3–1/2 įdėtų atliekų kiekio. Jei atliekos drėgnos, naudokite daugiau šių specialiųjų kompostinių durpių.
- Kompostinę reikėtų nuolat papildyti naujomis atliekomis. Stenkitės tai daryti kelis kartus per savaitę. Tai ypač svarbu šaltuoju metų laiku.
- Naujausią (viršutinį) komposto sluoksnį pamaišykite maždaug 20–30 cm gylyje nuo paviršiaus. Kiekvieną kartą įpylus atliekas maišyti komposto nereikia. Kuo daugiau naudosite specialiųjų kompostinių durpių, tuo mažiau reikės maišyti masę.
- Nemaišykite visos komposto masės iki dugno, kad jau atvėsusios apatiniai sluoksniai neatvėsintų dar šiltos komposto masės, esančios viduryje.

### 5.2 Ištuštinimas

- „Biolan“ organinių atliekų kompostinė turi būti tuštinama visus metus. Ištuštinkite kompostinę, kai ji yra beveik pilna. Šaltuoju metų laiku tai darykite dažniau nei šiltuoju metų laiku. Ištuštinus kompostinę, joje atsiranda daugiau deguonies, todėl kompostinės viduje gali padidėti temperatūra.
- Žiemos metu komposto masės išimkite dažniau, nedideliais kiekiais. Vasarą galite išimti daugiau, bet niekada neišimkite daugiau nei pusės visos komposto masės.
- Atidarykite ištuštinimo dureles (5 detalė) ir kastuvu išimkite masę iš kompostinės apačios.
- Taip pat nuvalykite skysčių talpos apsauginę plokštę (15 dalis), skysčio lataką esantį kompostinės dugne ir įsitikinkite, ar atskiriamo skysčio žarna nėra užsikimšusi.
- Jei masė, kurią išėmėte, buvo labai šlapia, į kompostinės apačią įdėkite porą kastuvų „Biolan“ kompostinių ir sausųjų tualetų durpių.
- Uždarykite dureles.
- Paspauskite masę iš viršaus, pavyzdžiui, kastuvu. Bus lengviau, jei pradėsite nuo kampų. Būkite atsargūs, nepažeiskite ortakio (4 detalė), esančio kompostinės centre.
- Jei reikia, ištuštinkite atskiriamo skysčio bakelį, ypač prieš žiemą, kad bešąlant jis nesulūžtų.

### 5.3 | ką būtina atsižvelgti šaltuoju metų laikotarpiu

Kompostuojamos atliekos kompostinės viduje generuoja šilumą, tačiau pats įrenginys šilumos negeneruoja. Tam, kad mikroorganizmai galėtų palaikyti savo gyvybines funkcijas, jiems nuolatos reikia šviežių atliekų.

„Biolan“ organinių atliekų kompostinės terminė izoliacija neleidžia šilumai pasišalinti, taip užtikrindama tinkamą kompostinės veikimą ir apsaugodama komposto masę nuo užšalimo.

- Šaltuoju metu laiku itin svarbu reguliariai pildyti atliekas ir ištuštinti kompostinę. Tai yra vienintelis būdas užtikrinti palankias sąlygas mikroorganizmams kompostinės viduje ir taip palaikyti kompostavimo procesą.
- Šaltuoju metų laiku jokiū būdu nemažinkite ir nenustokite naudoti komposto ir sausųjų tualetų durpių, nes šlapia komposto masė lengvai užšąla.
- Specialias durpes laikykite šiltoje, nuo drėgmės ar lietaus, apsaugotoje vietoje.
- Pasirūpinkite, kad neužšaltų kompostinės oro vožtuvai (9 ir 3 detalės), nes taip sutriktų tinkamas kompostinės vėdinimas. Jei ant vožtuvų, sklendžių susidaro ledas – nedelsiant jį pašalinkite.
- Užšalęs kompostas nepadarys jokios žalos kompostinei ar jos dalims. Kompostas taip pat nebus sugadintas. Kompostavimo procesas atsinaujins, kai orai atšils ir komposto masė atitirps.

### 5.4 „Biolan“ organinių atliekų kompostinės valymas

- Neplaukite kompostinės. Įvairūs pelėsiai ir laibagybiai (aktinomicetai) yra svarbūs kompostą skaidantys organizmai, todėl jų nuplauti nereikėtų.
- Jei reikia išplaukite paduodamo oro vožtuvą (9 detalė), oro vožtuvą (3 detalė) ir atskiriamo skysčio žarną (jei naudojama).

## 6. Komposto ir atskiriamo skysčio naudojimas darže

Kompostas yra puiki dirvožemį gerinanti priemonė, kurioje yra maistinių medžiagų, turinčių ilgalaikį poveikį augalams. Kompostinė žemė pagal jos subrandimą skirstoma į du tipus: pusiau subrandintas kompostas (mulčias) ir subrandintas kompostas (humusas).

### Pusiau subrandinto komposto virtimas į subrandintą (humusą)

Iš „Biolan“ organinių atliekų kompostinės išimama komposto masė paprastai būna jau pusiau subrandintas kompostas (mulčio tipo). Pusiau subrandintą kompostą (mulčio tipo) rekomenduojama naudoti tik dekoratyvinių augalų šaknims uždengti. Jei norite jį naudoti valgomiems augalams, rekomenduojame kompostuoti dar bent metus, kol kompostas bus praturtintas humusu.

### Pusiau subrandinto komposto naudojimas

Pusiau subrandintas kompostas laikomas mulčio tipo kompostu. Tokiame etape skaidymas taip pasistūmėjęs, kad virtuvės atliekos jau yra suirusios. Kietesnė mediena bei, pvz., kiaušinių lukštai ir citrusinių vaisių žievės, dar gali būti nesuirusios, todėl iš pažiūros mulčiavimo kompostas yra neapdorotas. Pusiau subrandintame komposte dar gali būti augimą ir dygimą stabdančių medžiagų, todėl jo nereikėtų naudoti kaip pagrindo auginimui. Mulčiavimo kompostas nekenkia augalams, kai jis kelių centimetrų sluoksniu užpilamas ant dekoratyvinių augalų šaknų. Tokiu būdu komposte esančios maistinės medžiagos išsiskiria, jas lengvai pasisavina augalai.

### 6.1 Subrandinto komposto naudojimas

Komposto kokybė priklauso nuo į jį įdėtų žaliavų. Iš buitinių atliekų pagaminto komposto maistinė vertė yra didesnė nei iš sodo ir daržo atliekų. Norint turėti augalų sodinimui ir auginimui tinkamą, visavertį substratą, į šį kompostą turėtumėte įdėti nuo trečdalis iki pusės mineralinio dirvožemio, pvz., smėlio, priemolio ar molio.

### 6.2 Atskiriamo skysčio naudojimas

Organinių atliekų kompostinėje kaupiasi perteklinis skystis. Jame yra augalams naudingų, greitai įsisavinamų maistinių medžiagų. (3.1 skyriuje aprašyta, kaip pajungti talpyklą pertekliniams skysčiams surinkti). Skystį galite panaudoti darže:

- Juo laistykite sodo ir daržo augalus, atskiedus vandeniu (minimalus santykis – 1:2).
- Panaudokite dar kartą – supilkite atgal į kompostinę (per viršų) ant joje esančios masės. Pridėkite „Biolan“ komposto ir sausųjų tualetų durpių. Jų pilkite ne daugiau nei 5 litrus per parą. Jei masė yra šlapia, skysčio į ją nepilkite.

## 7. Problemų sprendimas

### 7.1 Puvėsių kvapas

Jei nuo kompostinės sklinda puvėsių kvapas, tai reiškia, kad komposto masė yra per tanki arba per drėgna, arba kompostinėje trūksta deguonies.

- Įsitikinkite, ar naudojate „Biolan“ komposto ir sausųjų tualetų durpes ir ar jų naudojate pakankamai.
- Laikinau padidinkite naudojamų komposto medžiagų kiekį, kol kvapas išnyks ir bus tinkamas drėgnumas.
- Nepamirškite atidaryti ir ištuštinti biologiškai suyrančių maišelių „Bioska Dry Toilet“ prieš dėdami juos į kompostinę.
- Išimkite drėgną komposto masės iš kompostinės apačios (žr. 5.2 skyrių). Paskleiskite masę ant dekoratyvinių augalų šaknų poros centimetrų sluoksniu. Blogas kvapas išsisklaidys per keletą dienų. Per kompostinės apačioje esančias ištuštinimo dureles (5 detalė) į kompostinės dugną įberkite porą kastuvų „Biolan“ komposto ir sausųjų tualetų durpių, taip pat pakankamai jų užberkite ir ant viršutinio masės sluoksniu. Nukrėskite masę žemyn ir sumaišykite.

### 7.2 Amoniako kvapas

Aštrus amoniako kvapas kompostinėje reiškia, kad komposto masėje yra azoto. Jei azoto yra per daug anglies atžvilgiu, mikroorganizmai nespėja jo perdirbti.

- Įsitikinkite, ar neįdėjote į kompostinę per daug azoto turinčių atliekų, pvz., šlapimo ar vištų mėšlo. Daugiau jų nebedėkite į kompostinę.
- Nedėkite į kompostinę pelenų ar kalkių.
- Įsitikinkite, ar naudojate „Biolan“ komposto ir sausųjų tualetų durpes ir ar jų naudojate pakankamai.
- Laikinau padidinkite naudojamų komposto medžiagų kiekį, kol kvapas išnyks.
- Sumaišykite komposto masę.

### 7.3 Kompostavimo procesas neprasideda

- Pamašykite komposto masę viršuje ir pro ištuštinimo dureles patikrinkite, ar masė pakankamai drėgna.

### Jei komposto masė pakankamai drėgna:

1. Kompostavimo procesas dar neprasidėjo (žr. 4.1 skyrių). Pildykite kompostinę atliekomis kaip įprasta.
2. Atliekų kiekis toks mažas, kad kompostinės viduje yra nepakankamai aukšta temperatūra. Dėl to kompostavimo procesas truks ilgiau. Naudokite kompostinę kaip įprasta. Laikas, kurio reikia atliekoms pavirsti kompostu iki kompostinės ištuštinimo, yra svarbesnis nei aukšta temperatūra. Jei norite pagreitinti kompostavimo procesą, įdėkite daugiau azoto turinčių atliekų. Pavyzdžiui, galite naudoti specialiai kompostinėms skirtą „Biolan“ komposto fermentacijos stimuliatorių.
3. Kompostinės apačioje masė yra tokiame komposto proceso lygyje, kad jau nėra karšta. Ištuštinkite šiek tiek komposto masės ir toliau naudokite kompostinę kaip įprasta.

### Jei komposto masė per drėgna:

- Įsitinkite, ar naudojate „Biolan“ komposto ir sausųjų tualetų durpes ir ar jų naudojate pakankamai.
- Laikinau padidinkite naudojamų komposto medžiagų kiekį, kol komposto masė nebus drėgna.
- Išimkite iš kompostinės apačios drėgniausią komposto masės dalį. Per kompostinės apačioje esančias ištuštinimo dureles (5 detalė) į kompostinės dugną įberkite porą kastuvų „Biolan“ komposto ir sausųjų tualetų durpių, taip pat pakankamai jų užberkite ir ant viršutinio masės sluoksnio. Nukrėskite masę žemyn ir sumaišykite.
- Ateityje pasirūpinkite, kad komposto masė netaptų pernelyg drėgna.
- Jei komposto masė per sausa:
- Šiltu vandeniu sudrėkinkite masę.
- Išimkite iš kompostinės apačios per daug išdžiūvusią komposto masę, sudrėkinkite ją ir sumeskite atgal į kompostinę.
- Ateityje pasirūpinkite, kad komposto masė išliktų pakankamai drėgna.

### 7.4 Komposto masė užšąla

- Turite imtis veiksmų prieš masei visiškai užšąlant. Jei kompostinė užpildyta, išimkite iš jos šiek tiek komposto masės (nepriklausomai nuo metų laiko).
- Užšalimo išvengsite, jei kompostinė bus nuolat naudojama (pripildoma ir ištuštinama), tuo pačiu jūs palaikysite mikroorganizmų aktyvumą. (žr. 5 ir 5.1–5.4 skyrius).
- Pasirūpinkite, kad žiemos metu kompostinė visada būtų pakankamai užpildyta; vienu kartu išimkite tik po nedidelį komposto masės kiekį.
- Atkreipkite dėmesį į komposto masės drėgnumą: kuo drėgesnė komposto masė, tuo greičiau ji užšąls (žr. 7.3 skyrių).
- Žiemos metu naudokite daugiau „Biolan“ komposto ir sausųjų tualetų durpių. Ant paviršinio sluoksnio galite užpilti „Biolan“ komposto fermentacijos stimulatoriaus, kuris pagreitins kompostavimo procesą. Jį taip pat užberkite komposto ir sausųjų tualetų durpių sluoksniu.
- Aplink kompostinę sukraukite sniego – taip šiluma ilgiau laikysis kompostinėje.
- Komposto masę galite sušildyti, uždėjus ant viršutinio sluoksnio 10 litrų karštu vandeniu pripildytą kanistrą (tik nepamirškite pakankamai dažnai keisti vandenį).

### 7.5 Komposto masė per tanki

- Naudokite „Biolan“ komposto ir sausųjų tualetų durpes. Gerai įmaišykite jas į komposto masę.
- Ateityje naudokite daugiau specialiųjų „Biolan“ komposto ir sausųjų tualetų durpių ir pasirūpinkite, kad pildant kompostinę nesusidarytų tankūs žolės, šakninių daržovių lupenų, lapų ir kt. sluoksniai.

### 7.6 Kompostinėje yra musių ar jų lervų

Jei masė yra per drėgna, kompostinėje gali užsiveisti musių. Musių lervos – tai baltos kirmėlės juodomis galvomis. Jos yra maždaug vieno centimetro ilgio. (žr. 7.3 skyrių).

- Naudokite pakankamai „Biolan“ komposto ir sausųjų tualetų durpių, rūpestingai įmaišykite jas į komposto masę ir ateityje durpių kiekio nemažinkite.
- Įmaišykite viršutinę komposto masės dalį į komposto masės gilesnį sluoksnį. Kai temperatūra pasieks maždaug +43 °C, musių lervos išmirs.
- Ant paviršiaus užpilkite maždaug 2 cm „Biolan“ komposto ir sausųjų tualetų durpių sluoksnį. Ateityje pasirūpinkite, kad mėsos ir žuvies atliekos būtų kruopščiai užpiltos komposto medžiaga (arba pakastos paviršiuje).
- Atsargiai nuplaukite vidines kompostinės sienes ir dangtį karštu vandeniu, kad sunaikintumėte visus kiaušinėlius ir lervas.
- Muses atbaidyti galima purškiamu insekticidu, kurio veikioji medžiaga yra piretrinas.
- Patarimų dėl tinkamo produkto pasirinkimo klauskite sodo-daržo prekių prekybininkų.

### 7.7 Kompostinėje yra skruzdėlių

Kompostinė – puiki aplinka skruzdėlėms, o tai reiškia, kad jomis pakankamai sunku atsikratyti. Skruzdėlės dažniausiai įsikuria kompostinės apačioje, kai komposto masė pradeda vėsti. Skruzdėlės nekenkia kompostavimo procesui.

- Pasirūpinkite, kad komposto masė nebūtų pernelyg sausa.
- Reguliariai išimant nedidelius kiekius komposto masės, skruzdėlėms taps sunkiau prisitaikyti prie pasikeitusios aplinkos.

### 7.8 Kompostinėje yra pelėsių

Pelėsiai yra viena iš komposto irimą skatinančių medžiagų, todėl normalu, kad jų yra kompostinėje.

- Nešalinkite pelėsių.
- Naudokite kompostinę kaip įprasta.

### 7.9 Kompostinėje yra grybų

Grybai (aktinomicetai) maitinasi komposto masėje esančia mediena, pvz., stambiomis medienos dalimis, todėl grybai kompostinėje yra normalus reiškinys.

- Nieko su grybais nedarykite: jie išnyks savaime.
- Naudokite kompostinę kaip įprasta.

## Produkto utilizavimas

Medžiagos, iš kurių pagamintas šis produktas, nurodytos detalių sąrašė (44 psl.). Kiekvieną detalę utilizuokite jai tinkamu būdu. Visuomet laikykitės regiono ir konkretaus surinkimo punktų pateikiamų instrukcijų.



Energetinių atliekų surinkimas arba plastikinių medžiagų perdirbimas:

EPDM – etileno propilenas

PE – polietilenas

PP – polipropilenas

EPP = Polipropileno putplastis

Energinę vertę turinčių atliekų surinkimas:

PU – poliuretanas

Silikonas

Metalo perdirbimas:

RST – nerūdijantysis plienas

Popieriaus surinkimas:

Popierius

## Garantija

**„Biolan“ organinių atliekų kompostinei suteikiama vienerių (1) metų garantija.**

1. Garantija pradeda galioti nuo pirkimo dienos ir taikoma galimiems medžiagų ir gamybos defektams. Garantija netaikoma galimai netiesioginei žalai.
2. „Biolan Oy“ pasilieka teisę nuspręsti dėl defektinės dalies remonto arba keitimo.
3. Atsiradus defektams dėl neatsargaus arba grubaus produkto naudojimo, naudojimo instrukcijos reikalavimų nesilaikymo, arba esant natūraliam produkto nusidėvimui, ši garantija nėra taikoma.

Visais, su garantija susijusiais klausimais, prašome kreiptis tiesiai į „Biolan Oy“.

# Компостер для органических отходов

## Инструкция по применению

Компостер Biolan для органических отходов предназначен для круглогодичного компостирования пищевых отходов. Теплоизолированная конструкция и эффективный воздухообмен обеспечивают быстрое формирование компоста. Компостер рассчитан на переработку пищевых отходов одной семьи. При правильной эксплуатации компостера компостная масса быстро проходит процесс ферментации, благодаря чему компостером приятно пользоваться даже в момент его опорожнения.

### Содержание

Содержание	48
Размеры	48
Перечень деталей	49
1. Разрешения и нормативные требования, касающиеся компостирования отходов	50
2. Выбор места для компостера	50
3. Действия перед началом эксплуатации	50
3.1. Подсоединение дренажного шланга и отведение жидкости	50
4. Начало эксплуатации	50
4.1. Запуск процесса компостирования	50
5. Пользование компостером Biolan для органических отходов	50
5.1. Заполнение	50
5.2. Опорожнение	51
5.3. Особенности эксплуатации в холодное время года	51
5.4. Чистка компостера Biolan для органических отходов	51
6. Использование компоста и фильтрата в саду и огороде	51
6.1. Использование зрелого компоста	51
6.2. Использование фильтрата	51
7. Возможные проблемы	52
7.1. Запах гнили	52
7.2. Запах аммиака	52
7.3. Процесс компостирования не начинается	52
7.4. Компостная масса замерзает	52
7.5. Компостная масса слишком плотная	52
7.6. В компостере мухи или их личинки	53
7.7. В компостере муравьи	53
7.8. В компосте плесень	53
7.9. В компосте грибы	53
Утилизация изделия	53
Гарантия	53

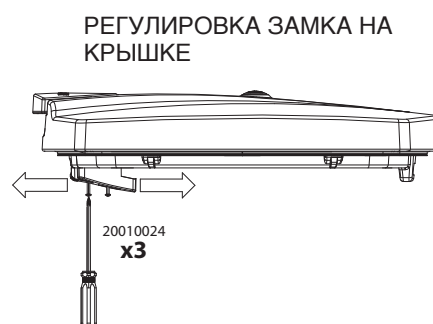
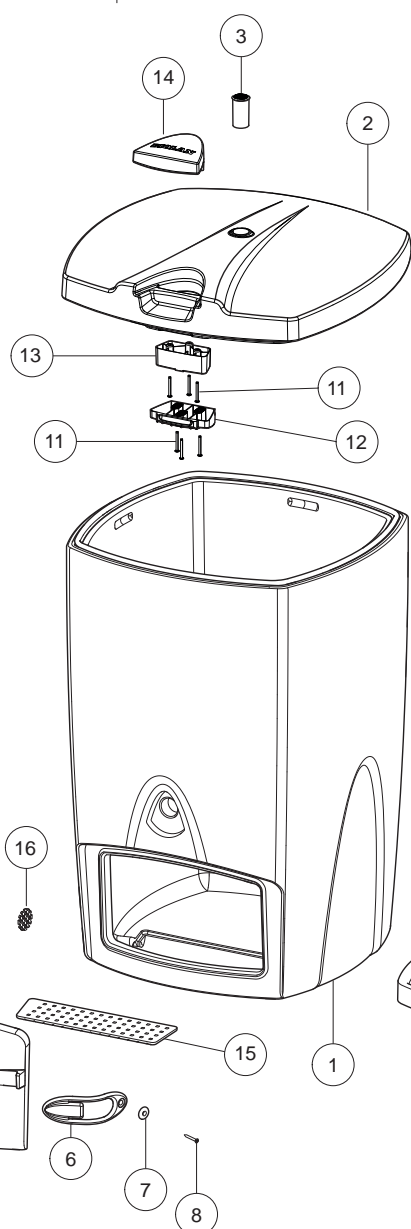

**RU**

### Размеры

Объем, около	200 литров
Рассчитан на семью из в зависимости от типа и количества отходов	1–6 человек
Размер дна (Ш x Г)	54 x 54 см
Размер крышки (Ш x Г)	62 x 63 см
Общая высота	100 см
Рабочая высота	91 см
Вес пустого компостера, около	22 кг
Вес заполненного компостера, около	100–150 кг
Вес крышки	3,5 кг
Диаметр дренажного отверстия	32 мм

## Перечень деталей

Компонент	Наименование компонента	Номер детали	Материал
1	Корпус	17792901	ПЭ + ПУ
2	Крышка	17710040	ЭПП
3	Клапан для выпуска воздуха	18710400	ПП
4	Вентиляционный канал	18792003	ПЭ
5	Дверца для опорожнения	18790950	ПЭ + ПУ
6	Запор дверцы для опорожнения	18710370	EPDM
7	Шайба запора	18726140	ПЭ
8	Винт запора	20010023	RST
9	Корпус входного воздушного клапана	18792903	ПЭ
	Кольцо уплотнительное		Силикон
	Термометр		RST
10	Резиновая втулка 30/40	19780050	EPDM
11	Винты для фиксирующей ручки	20010024	RST
12	Стопорный болт	18704098	ПП
13	Замок	18704097	ПП
14	Ручка	18704095	ПП
15	Пластина для отделения жидкости	18710141	ПЭ
16	Защитная сетка от грызунов (в дренажное отверстие)	21900020	RST
Помимо показанных на рисунке, компостер включает следующие компоненты:			
	Инструкция по применению	27579070	Бумага
Установлена	Прокладка крышки	19733220	Силикон
Установлена	Уплотнитель для дверцы опорожнения	19733210	ПЭ



**Рис. 1**

Замок на крышке можно подтянуть плотнее или ослабить со стороны рамки, как показано на рис. 1. Слегка ослабьте винты (3 шт.), чтобы стопорный болт (деталь №12) переместился в направлении, указанном стрелками. Установите стопорный болт в правильное положение и затяните винты.

RU



## 1. Разрешения и нормативные требования, касающиеся компостирования отходов

Разрешения и нормативные требования, касающиеся компостирования, различны в каждой стране и даже муниципалитете. За подробными сведениями обратитесь в местные органы по вопросам окружающей среды.

## 2. Выбор места для компостера

Разместите компостер Biolan для органических отходов в таком месте, куда легко можно будет вынести отходы в любое время года.

Установите компостер на твердую поверхность, на которой не собирается стоячая вода, строго в горизонтальном положении.

В нижней части левой стенки компостера Biolan для органических отходов находится дренажное отверстие для удаления излишков жидкости. Лучше всего установить компостер непосредственно на грунт, чтобы фильтрат мог впитаться в землю. Альтернативно фильтрат можно собирать (см. раздел 3.1).

Если компостная масса чрезмерно мокрая, фильтрат может просачиваться из-под дверцы для опорожнения (№ 5 на рисунке), а также через входной воздушный клапан на передней стороне компостера (№ 9 на рисунке).

## 3. Действия перед началом эксплуатации

Вставьте пластину для отделения жидкости (№ 15 на рисунке) в патрубок для отведения жидкости в нижней части компостера. Эта пластина служит для отделения избыточной жидкости от компостной массы. При необходимости ее можно вытащить и промыть.

### 3.1. Подсоединение дренажного шланга и отведение жидкости

В нижней части левой стенки компостера Biolan для органических отходов находится дренажное отверстие, через которое излишки жидкости могут вытекать из компостера и впитываться в землю. При желании можно собирать фильтрат в отдельную емкость, но это необязательно. Извлеките из отверстия для отведения жидкости защитную сетку от грызунов (например, с помощью отвертки). Подсоедините шланг диаметром 32 мм. Другой конец шланга выведите в канистру, установленную таким образом, чтобы жидкость свободно стекала вниз.

## 4. Начало эксплуатации

Насыпьте на дно компостера слой Сухой смеси для компоста и туалета Biolan толщиной 5 см.

Начните эксплуатацию компостера, как описано в главе 5. Используйте во время первой загрузки больше сухой смеси, чем рекомендовано. Позже можете уменьшить ее количество.

## 4.1. Запуск процесса компостирования

Процесс компостирования запустится, когда в компостере накопится достаточное количество отходов (примерно половина от общего объема). Весь процесс превращения отходов в плодородную почву занимает от пяти до восьми недель. При минусовых температурах начальная стадия компостирования может замедлиться. Высокая температура говорит об активной деятельности микроорганизмов (при условии, что вы регулярно добавляете в компостер свежие отходы). Благодаря теплоизоляции тепло сохраняется внутри компостера, и холодный воздух снаружи не попадает в компостную массу.

Лучший признак надлежащего функционирования компостера — это качество вынимаемого компоста. В хорошо действующем компостере отходы полностью разлагаются, за исключением кожуры цитрусовых и яичной скорлупы, которые можно распознать в компосте.

## 5. Пользование компостером Biolan для органических отходов

Компостер предназначен только для биоразлагаемых отходов. Не кладите в компост ничего, что может помешать функционированию компоста или не компостируется, как например:

- Пластик, резина, стекло, кожа
- Химические реагенты, антисептики и дезинфицирующие средства для древесины,
- Краски, растворители, бензин
- Моющие средства, вода после стирки или мытья посуды
- Известь
- Зола, пепел, окурки, спички
- Мешки с пылью из пылесоса
- Цветные рекламные буклеты
- Большое количество бумаги

### 5.1. Заполнение

- Высыпьте содержимое ведра с биоотходами в компостер. Помните: чем крупнее фрагменты отходов, тем больше времени потребуется для их переработки.
- Если вы используете биоразлагаемые мешки, высыпьте в компостер их содержимое и положите мешок в компостер отдельно.
- Всегда покрывайте отходы слоем Сухой смеси для компоста и туалета Biolan. Как правило, ее объем должен составлять от одной трети до половины объема свежей порции отходов. Если отходы мокрые, используйте больше сухой смеси.
- Регулярно добавляйте в компостер отходы по мере их накопления, желательнее — несколько раз в неделю. Это особенно важно в холодное время года.
- Перемешайте самый свежий слой отходов, т.е. примерно на глубину 20–30 см от поверхности. Необязательно перемешивать компост каждый раз, когда отходы добавляются в компостер. Чем больше сухой смеси вы используете, тем меньше компостная масса нуждается в перемешивании.
- Не перемешивайте компост до самого дна, чтобы уже остывший нижний слой не охладил компостную массу, находящуюся на горячем этапе.

RU

## 5.2. Опорожнение

- Компостер Biolan для органических отходов необходимо опорожнять вне зависимости от сезона. Опорожняйте компостер, когда он будет почти заполнен отходами, причем в холодное время года чаще, чем в теплое. После опорожнения внутрь компостера попадает больше кислорода, благодаря чему температура, как правило, повышается.
- В зимнее время опорожняйте компостер чаще и маленькими порциями. Летом — не больше половины всего содержимого за один раз.
- Откройте дверцу для опорожнения (№ 5 на рисунке) и выньте из компостера часть компостной массы с помощью лопаты.
- Почистите также снизу пластину для отделения жидкости (№ 15 на рисунке) и проверьте, не засорился ли дренажный шланг.
- Если компост, который вы достали из компостера, очень влажный, положите через ту же дверцу пару лопат Сухой смеси для компоста и туалета Biolan.
- Закройте дверцу.
- Протолкните массу сверху вниз мешалкой для компоста. Легче всего это сделать, начав с углов. Следите за тем, чтобы не повредить воздушный канал, расположенный в центре компостера.
- Опорожняйте емкость для сбора фильтрата по мере необходимости.

## 5.3. Особенности эксплуатации в холодное время года

Тепло в компостере появляется в результате сгорания отходов, само по себе устройство не производит тепла. Микроорганизмам для поддержания их жизнедеятельности постоянно нужны свежие отходы.

Теплоизоляция компостера Biolan для органических отходов предотвращает потерю тепла и, таким образом, способствует его функционированию и незамерзанию.

- В холодное время года особенно важно регулярно заполнять и опорожнять компостер. Только в этом случае поддерживаются оптимальные условия для микроорганизмов, а значит, и для процесса компостирования.
- Не уменьшайте и не прекращайте использование сухой смеси и в зимнее время. В холодное время важно использовать сухую смесь в большем количестве. Мокрая компостная масса легче замерзает.
- Сухую смесь следует хранить в сухом помещении.
- Следите за тем, чтобы циркуляция воздуха не прекращалась при замерзании входного или выходного воздушного клапана (№ 9 и № 3 на рисунке). Если на клапанах образовался лед, удалите его.
- Замерзание массы не нанесет вреда компостеру или его деталям, а также самой компостной массе. Процесс ее разложения продолжится, как только масса оттает.

## 5.4. Чистка компостера Biolan для органических отходов

- Не мойте компостер. Разложение в компостере происходит за счет различных плесневых и лучевых грибов (актиномицетов), и их не следует смывать.
- Очищайте при необходимости входной воздушный клапан для впуска воздуха (№ 9 на рисунке), выходное воздушное отверстие (№ 3 на рисунке) и дренажный шланг (если он используется).

## 6. Использование компоста и фильтрата в саду и огороде

Компост — это отличное средство для улучшения почвы, к тому же содержащий питательные вещества длительного воздействия. Обычно компостная земля делится на два класса на основе степени зрелости: свежий компост и зрелая компостная земля.

### Превращение свежего компоста в зрелый компост

Компостная масса, которую вы извлекаете из компостера Biolan для органических отходов, обычно является свежим компостом, который рекомендуется использовать только в качестве покрытия для грядок с декоративными растениями. Если вы хотите внести компост в грядки со съедобными культурами, его необходимо оставить еще на один год, чтобы он дозрел и превратился в зрелый компост.

### Использование свежего компоста

Извлеченный из компостера свежий компост — это полужрелая компостная масса. На этой стадии остатки кухонных отходов уже разложились. Более твердые материалы, например, кусочки дерева, яичная скорлупа или кожура цитрусовых, могут быть еще не расщеплены. Свежий компост содержит вещества, мешающие росту растений и прорастанию семян. Такой компост не вредит декоративным растениям, когда им покрывают почву под ними слоем в несколько сантиметров.

### 6.1. Использование зрелого компоста

Воздействие компоста, как удобрения, зависит от его исходных материалов. Питательная ценность компоста из пищевых отходов обычно выше питательной ценности компоста на основе садовых отходов. В чистом виде компостная земля не является хорошей основой для выращивания, в неё следует добавить 1/3–1/2 минеральных составных частей почвы, например, крупный, мелкий, тонкозернистый песок или глину.

### 6.2. Использование фильтрата

Излишнюю жидкость, образующуюся в компостере, можно собирать со дна через подсоединенный к дренажному отверстию шланг и использовать в саду или огороде. Жидкость называется фильтратом, т.к. она проходит сквозь компостную массу. Фильтрат содержит питательные вещества, которые легко усваиваются растениями.

- Используйте фильтрат, предварительно разбавив водой (минимальное соотношение 1:2), для полива растений в саду.
- Можно также вернуть фильтрат обратно в компостер, вылив его сверху на компостную массу. Добавьте сухой смеси и вливайте в нее не более 5 литров фильтрата в сутки. Если компостная масса уже и так мокрая, не смачивайте ее больше фильтратом.

## 7. Возможные проблемы

### 7.1. Запах гнили

Если в компостере пахнет гнилью, значит компостная масса слишком плотная и в ней недостаточно кислорода.

- Проверьте, что в качестве сухой смеси используется Смесь для компоста и туалета Biolan.
- Проверьте, что Смесь для компоста и туалета Biolan используется в достаточном количестве.
- Временно увеличьте количество добавляемой сухой смеси, пока влажность не станет оптимальной.
- Открывайте и опорожняйте биоразлагаемые пакеты перед тем, как положить их в компостер.
- Выньте снизу из компостера мокрую массу (см. раздел 5.2). Рассыпьте по грядкам с декоративными растениями слоем в несколько сантиметров. Неприятный запах исчезнет через несколько дней. Положите пару лопат Сухой смеси для компоста и туалета Biolan через дверцу для опорожнения (№ 5 на рисунке) на дно компостера. Протолкните массу сверху вниз и перемешайте её с большим количеством Смеси для компоста и туалета Biolan.

### 7.2. Запах аммиака

Резкий запах аммиака в компостере свидетельствует о том, что из компостной массы испаряется азот. Если азота слишком много по отношению к углероду, микроорганизмы не успевают его перерабатывать.

- Проверьте, что в компостер не было помещено большое количество азотсодержащих отходов, например, мочи или куриного помета.
- Не кладите в компостер золу и известь.
- Проверьте, что в качестве сухой смеси используется Смесь для компоста и туалета Biolan.
- Проверьте, что Смесь для компоста и туалета Biolan используется в достаточном количестве.
- Временно (до тех пор, пока не исчезнет неприятный запах) увеличьте количество добавляемой сухой смеси.
- Перемешайте компостную массу.

### 7.3. Процесс компостирования не начинается

- Убедитесь, перевернув поверхность массы и заглянув через дверцу для опорожнения, что масса достаточно влажная.

#### Компостная масса достаточно влажная.

1. Процесс компостирования еще не начался (см. раздел 4.1). Продолжайте заполнение компостера.
2. Объем отходов так мал, что высокая температура внутри компостера не поднимается до необходимого уровня. Разложение отходов происходит медленнее. Продолжайте эксплуатацию компостера в обычном режиме. Важнее дать компостеру достаточно времени на переработку отходов, чем поддерживать внутри него высокую температуру. Если хотите ускорить процесс компостирования, добавьте в компост азотсодержащие вещества, например, Активатор для компоста Biolan.
3. Компост уже настолько разложился, что горячий этап уже позади. Частично опорожните компостер и продолжайте его эксплуатацию.

#### Компостная масса слишком мокрая.

- Проверьте, что в качестве сухой смеси используется Смесь для компоста и туалета Biolan.
- Проверьте, что Смесь для компоста и туалета Biolan используется в достаточном количестве.
- Временно увеличьте количество добавляемой сухой смеси, пока влажность не станет оптимальной.
- Выньте из компостера через нижнюю дверцу самую мокрую массу. Положите пару лопат Смеси для компоста и туалета Biolan через дверцу для опорожнения на дно компостера. Протолкните массу сверху вниз и перемешайте ее с большим количеством Смеси для компоста и туалета Biolan.
- Проследите в дальнейшем, чтобы масса чрезмерно не увлажнялась.

#### Компостная масса слишком сухая.

- Смочите теплой водой.
- Выньте слишком сухой компост со дна компостера, смочите и верните обратно.
- Проследите в дальнейшем, чтобы масса была достаточно влажной.

### 7.4. Компостная масса замерзает

- Примите меры до того, как компостная масса замерзнет. Если компостер полон, опорожните его (независимо от времени года).
- Регулярно заполняйте и опорожняйте компостер. Таким образом поддерживается активность микроорганизмов. См. разделы 5 и 5.1–5.4.
- Держите компостер зимой почти полным и часто опорожняйте маленькими порциями.
- Зимой большое значение имеет степень влажности компостной массы: чем выше, тем легче замерзает содержимое компостера (см. раздел 7.3).
- В зимний период используйте больше Сухой смеси для компоста и туалета Biolan. Чтобы увеличить интенсивность процесса переработки, добавьте в поверхностный слой Активатор для компоста Biolan. Поверх насыпьте слой Сухой смеси для компоста и туалета Biolan.
- Укройте компостер со всех сторон снегом для дополнительного утепления.
- Компостную массу можно разогреть, например, положив в верхний слой десятилитровую канистру с горячей водой (не забывайте почаще ее менять).

### 7.5. Компостная масса слишком плотная

- Добавьте побольше сухой Смеси для компоста и туалета Biolan. Смешайте сухую смесь с массой отходов.
- Используйте в дальнейшем больше сухой Смеси для компоста и туалета Biolan и при заполнении компостера обращайте внимание на то, чтобы не образовались слишком плотные слои, например, из травы, кожуры корнеплодов, листьев и т. д.

RU

## 7.6. В компостере мухи или их личинки

В компостере появятся мухи, если компостная масса слишком мокрая. Личинки мух похожи на белых червей с черной головой. Длина — около сантиметра. См. также раздел 7.3.

- Добавьте побольше Сухой смеси для компоста и туалета Biolan и тщательно смешайте ее с компостной массой. В дальнейшем используйте сухую смесь в большем количестве.
- Переместите поверхностный слой поглубже в компост. Личинки мух погибают при температуре около +43 °С.
- Добавьте на поверхность слой Сухой смеси для компоста и туалета Biolan толщиной около 2 см. Проследите в дальнейшем, чтобы мясные и рыбные отходы в компостере были тщательно прикрыты.
- Осторожно ополосните внутренние стенки и крышку компостера горячей водой, чтобы погибли яйца и личинки мух.
- Для предотвращения появления мух в компостере можно распылить средство на основе пиретрина. Спросите совета у продавца садового инвентаря при выборе препарата.

## 7.7. В компостере муравьи

- В компостере есть все условия для муравьев — пища и благоприятная среда обитания, — поэтому избавиться от них довольно трудно. Как правило, муравьи живут в нижней части компостера — в компосте, находящемся на стадии остывания. Муравьи не мешают процессу компостирования.
- Удостоверьтесь, что компостная масса не слишком сухая.
- Пребыванию муравьев можно помешать, регулярно вынимая небольшое количество компоста.

## 7.8. В компосте плесень

Плесень — один из организмов, расщепляющих отходы, и является нормальным явлением для компостера.

- Не удаляйте плесень.
- Продолжайте эксплуатацию компостера в обычном режиме.

## 7.9. В компосте грибы

- Грибы перерабатывают в компостной массе древесный материал, например, крупные части сухой смеси, и являются нормальным явлением для компостера.
- Дайте грибам расти в компосте, они исчезнут сами собой.
- Продолжайте эксплуатацию компостера в обычном режиме.

## Утилизация изделия

Материалы, из которых изготовлен компостер, указаны в таблице компонентов (стр. 49). Все компоненты утилизируются с учетом данной информации. Соблюдайте инструкции по утилизации отходов, действующие по месту нахождения приемных пунктов.



Переработка в энергию или пластиковый утиль:

EPDM — этилен-пропиленовый каучук

ПЭ — полиэтилен

ПП — полипропилен

ЭПП = Вспененный полипропилен

Переработка в энергию:

ПУ — полиуретан

Силикон

Переработка в металлолом:

RST — нержавеющая сталь

Переработка в макулатуру:

Бумага

## Гарантия

На компостер Biolan для органических отходов дается гарантия сроком один (1) год.

1. Гарантия действует со дня покупки и распространяется на возможные дефекты материалов и изготовления. Гарантия не распространяется на возможные косвенные повреждения.
2. Biolan Oy оставляет за собой право на принятие решения о ремонте или замене поврежденных деталей.
3. Гарантия не распространяется на любые повреждения, возникшие в результате неосторожного обращения с изделием, несоблюдения инструкций по эксплуатации или в результате обычного износа.

По всем возникающим вопросам, связанным с гарантийным обслуживанием, просьба обращаться напрямую в компанию Biolan Oy.



# BIOLAN

## Biowaste Composter Käyttöohje

Biolan Biowaste Composter on tarkoitettu keittiöjätteen ympärivuotiseen kompostointiin. Lämpöeristetty rakenne ja tehokas ilmanvaihtojärjestelmä tuottavat kompostia nopeasti. Biolan Biowaste Composter on mitoitettu yhden perheen biojätteille. Biolan Biowaste Composterin oikeanlainen käyttö mahdollistaa massan tehokkaan kompostoitumisen ja siten kompostorin miellyttävän käytön ja tyhjennyksen.

### Sisällysluettelo

Mittatiedot	54
Osaluettelo	55
1. Kompostointia koskevat luvat ja määräykset	56
2. Kompostorin paikan valinta	56
3. Ennen käyttöönottoa	56
3.1. Suotonesteletkun liittäminen ja nesteen johtaminen	56
4. Käyttöönotto	56
4.1. Kompostoitumisen käynnistyminen	56
5. Biowaste Composter:n käyttäminen	56
5.1. Täyttö	56
5.2. Tyhjentäminen	56
5.3. Kylmään vuodenaikaan huomioitavaa	57
5.4. Biowaste Composter:n puhdistaminen	57
6. Kompostin ja suotonesteen käyttö puutarhassa	57
6.1. Kypsän kompostimullan käyttö	57
6.2. Suotonesteen käyttö	57
7. Mahdolliset ongelmatilanteet	57
7.1. Mädäntyneen haju	57
7.2. Ammoniakin haju	57
7.3. Kompostoituminen ei käynnisty	57
7.4. Kompostimassa jäätyy	58
7.5. Kompostimassa on liian tiivistä	58
7.6. Kompostorissa on kärpäsiä tai niiden toukkia	58
7.7. Kompostorissa on muurahaisia	58
7.8. Kompostissa on hometta	58
7.9. Kompostissa on sieniä	58
Tuotteen hävittäminen	58
Takuuasiat	58



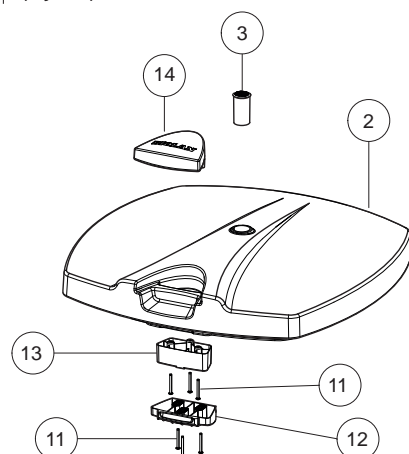
### Mittatiedot

tilavuus noin	200 l
kapasiteetti jätteen määrästä ja laadusta riippuen	1–6 henkilöä
pohjan ala (l x s)	54 x 54 cm
kannen ala (l x s)	62 x 63 cm
kompostorin korkeus	100 cm
työskentelykorkeus	91 cm
tyhjän kompostorin paino noin	21 kg
täyden kompostorin paino	100–150 kg
kannen paino avattaessa noin	1.5 kg
suotonestereian halkaisija	32 mm

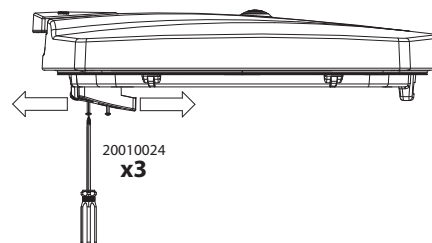
**FI**

## Osaluettelo

Osa	Nimike	Osanro	Materiaali
1	Runko	17792901	PE + PU
2	Kansi	17710040	EPP
3	Poistoilmaventtiili	18710400	PP
4	Ilmakanava	18792003	PE
5	Tyhjennysluukku	18790950	PE + PU
6	Tyhjennysluukun salpa	18710370	EPDM
7	Lukituskumin aluslaatta	18726140	PE
8	Tyhjennysluukun salvan ruuvi	20010023	RST
9	Tuloilmaventtiili	18792903	PE
	Tiivisterengas		Silikoni
	Lämpömittari		RST
10	Läpivientikumi 30/40	19780050	EPDM
11	Kahvan kiinnityksen ruuvi 4,5x45 tx 20 2A	20010024	RST
12	Lukituskieli	18704098	PP
13	Lukituspala	18704097	PP
14	Kahva	18704095	PP
15	Nesteenerotuslevy	18710141	PE
16	Jyrsijäsuoja	21900020	RST
	osakuvassa esitettyjen osien lisäksi sisältää:		
	Käyttöohje	27579070	Paperi
asennettu	Kannen tiiviste	19733220	Silikoni
asennettu	Tyhjennysluukun tiiviste	19733210	PE

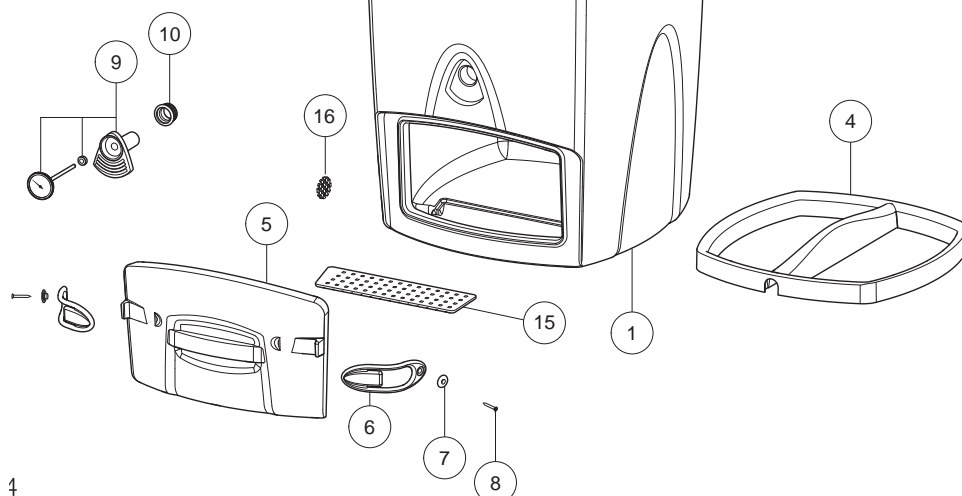


### KANNEN LUKITUKSEN SÄÄTÖ



#### Kuva 1.

Tarvittaessa kannen lukitusta on mahdollista säätää runkoon tiukemmaksi tai löysemmäksi kuvan 1 mukaisesti. Avaa hieman ruuveja (3 kpl) niin, että lukituskieli (osanro 12) liikkuu nuolien osoittamaan suuntaan. Aseta lukituskieli sopivaan kohtaan ja kiristä ruuvit.



## 1. Kompostointia koskevat luvat ja määräykset

Kompostointia koskevat luvat ja määräykset vaihtelevat maittain, mutta myös kunnittain. Varmista oman paikkakunnan voimassa olevat määräykset kunnan ympäristöviranhaltijalta.

## 2. Kompostorin paikan valinta

Sijoita Biowaste Composter paikkaan, minne jätteen vieminen ja niissä kompostorin tyhjentäminen on helppoa ympäri vuoden.

Aseta kompostori kantavalle pohjalle paikkaan, johon ei kerry seisovaa vettä. Aseta kompostori vaakasuoraan.

Biowaste Composter:ssa on suotonestereikä laitteen vasemmassa sivussa alalaidassa, minkä kautta mahdollinen liika neste pääsee kompostorista pois. Aseta kompostori suoraan maapohjalle, jotta mahdollinen suotoneste pääsee imeytymään maahan. Vaihtoehtoisesti voit myös kerätä suotonesteen talteen (katso kohta 3.1).

Mikäli kompostimassa on poikkeuksellisen märkää, suotonestettä voi valua myös tyhjennysluukun (osa 5) alta sekä tihkua etuseinän tuloilmaventtiilistä (osa 9).

## 3. Ennen käyttöönottoa

Laita nesteenerotuslevy (osa 15) paikoilleen kompostorin pohjalta olevaan syvennykseen eli suotonestekouruun. Nesteenerotuslevyn tarkoituksena on erotella kompostimassasta mahdollinen ylimääräinen neste pois. Levyn voi jatkossa tarvittaessa irrottaa ja puhdistaa.

### 3.1. Suotonesteletkun liittäminen ja nesteen johtaminen

Biowaste Composter:ssa on suotonestereikä laitteen vasemmassa sivussa alalaidassa, mitä kautta mahdollinen liika neste pääsee kompostorista pois ja imeytymään maahan. Halutessasi voit johtaa suotonesteen keräyssäiliöön, mutta se ei ole pakollista. Poista jyrksijäsuoja laitteen sivussa alalaidassa sijaitsevasta suotonestereiästä esim. ruuvimeisseliä apuna käyttäen. Liitä halkaisijaltaan 32 mm nesteletku laitteen sivussa alalaidassa olevaan suotonestereiäkään. Johda letku kanisteriin, joka on sijoitettu niin, että neste virtaa alamäkeen.

## 4. Käyttöönotto

Laita pohjalle viiden (5 cm) sentin kerros, noin 20 litraa, Biolan kuiviketta.

Aloita kompostorin käyttäminen kohdan 5 mukaisesti. Käytä ensimmäisen täytön aikana suositeltua reilummin kuiviketta, myöhemmin voit vähentää kuivikkeen määrää.

### 4.1. Kompostoitumisen käynnistyminen

Kompostoituminen käynnistyy, kun kompostorissa on riittävästi eli noin puolillaan jätettä. Käynnistymisen jälkeen jäte saavuttaa katekompostivaiheen jo noin 5–8 viikossa. Käynnistyminen voi viivästyä, jos ulkoilman lämpötila on alle 0 °C. Kompostorin lämpötilaa nostaa ja ylläpitää sinne kehittyvä pieneliökanta elintoinnoillaan, kun jätettä lisätään säännöllisesti. Kompostorin lämpöeriste pitää lämmön sisällä ja estää ulkoilmaa jäädyttämästä massaa.

Kompostorin toimivuudesta kertoo parhaiten tyhjennettävän kompostimassa laatu. Hyvin toimivassa kompostorissa jäte on hajonnut, lukuun ottamatta sitruhedelmien tai kananmunan kuoria, joita saattaa olla vielä tunnistettavissa.

## 5. Biowaste Composter:n käyttäminen

Kompostori on tarkoitettu biohajoaville jätteille. Älä laita kompostoriin mitään, mikä haittaa kompostin toimintaa tai ei kompostoidu, kuten:

- muovia, kumia, lasia, nahkaa
- kemikaaleja, lahonsuoja- ja desinfiointiaineita, maaleja, liuotimia, bensa
- pesuaineita, pesuvesiä
- kalkkia
- tuhkaa, tupakan tumppeja, tulitikkuja
- pölynimurin pusseja
- värillistä mainospaperia
- suuria määriä paperia kerrallaan

### 5.1. Täyttö

- Tyhjennä biojäteastia kompostoriin. Mitä suurempina paloina jätteet viedään kompostiin, sitä pidempään niiden hajoaminen kestää.
- Jos käytät biohajoavia pusseja, tyhjennä se kompostoriin ja laita pussi erikseen kompostoriin.
- Peitä jäte aina Biolan kuivikkeella. Yleensä sopiva määrä on noin 1/3–1/2 tuodun jätteen määrästä. Käytä märälle jätteelle enemmän kuiviketta.
- Jatka täyttöä sitä mukaan, kun jätettä muodostuu. Pyri viemään jätettä kompostoriin useita kertoja viikossa. Tämä on tärkeää erityisesti kylmään vuoden aikaan.
- Möyhennä tuoreinta jätettä eli noin 20–30 cm pinnasta. Möyhentäminen ei ole välttämätöntä joka täyttökerralla. Mitä runsaammin käytät kuiviketta sitä vähemmän möyhentämistä massa vaatii.
- Älä sekoita kompostoria pohjaa myöten, ettei jo jäähtynyt alin kerros jäädytä lämpövaiheessa olevaa kompostimassaa.

### 5.2. Tyhjentäminen

- Biowaste Composter:ia pitää tyhjentää ympäri vuoden. Tyhjennä kompostori, kun se on lähes täynnä jätettä. Kompostoria tulee tyhjentää kylmään vuodenaikaan useammin kuin lämpimällä. Tyhjennys lisää kompostorin happitilaa ja saa usein lämpötilan nousuun.
- Tyhjennä talvella pieniä määriä kerrallaan. Kesällä voit tyhjentää enemmän, kuitenkin enintään puolet sisällöstä.
- Avaa tyhjennysluukku (osa 5) ja tyhjennä massa alakautta lapiolla.
- Puhdista myös suotonestelevyn (osa 15) alta ja varmista, ettei suotonesteletku ole tukkeutunut.
- Jos tyhjentämäsi massa on ollut kovin märkää, lapioi pari lapiollista Biolan kuiviketta kompostorin pohjalle.
- Sulje tyhjennysluukku.
- Paina yläkautta massaa alas esim. lapiolla. Tämä on helpointa aloittaa kulmista. Varo rikkomasta kompostorin keskellä olevaa ilmanavaa.
- Tyhjennä suotonesteastia tarvittaessa.

### 5.3. Kylmään vuodenaikaan huomioitavaa

Kompostoriin lämpö syntyy jätteen kompostoitumisesta, laite itsessään ei tuota lämpöä. Pieneliöt tarvitsevat jatkuvasti ja säännöllisesti tuoretta jätettä ylläpitääkseen elintoimintojaan.

Biowaste Composter:n lämpöeristys estää lämmön karkaamista ja edesauttaa siten toimintaa ja sulana pysymistä.

- Kylmään vuoden aikaan on tärkeää käyttää kompostoria eli täyttää ja tyhjentää sitä. Vain näin voivat pieneliöiden olosuhteet muodostua sellaisiksi, että ne pitävät yllä pitävät kompostorin toimintaa.
- Älä vähennä tai lopeta kuivikkeen käyttöä kylmään vuoden aikaan, silloin on entistä tärkeämpää käyttää kuiviketta runsaasti. Märkä massa jäätyy herkemmin.
- Säilytä kuivike sateelta suojattuna ja lämpimässä tilassa.
- Tarkista, ettei ilmankierto esty tuloilma- tai poistoilmaventtiilin (osat 9 ja 3) jäätyessä. Poista jää tarvittaessa.
- Massan jäätyminen ei vahingoita kompostoria tai sen osia eikä kompostimassaa. Kompostimassan hajoaminen jatkuu viimeistään sen sulassa.

### 5.4. Biowaste Composter:n puhdistaminen

- Älä pese kompostoria. Kompostin hajottajiin kuuluvat erilaiset home- ja sädesienet sekä pieneliöt, eikä niitä kannata pestä pois.
- Puhdista tuloilmaventtiili (osa 9), poistoilma-aukko (osa 3) ja mahdollinen suotonesteletku tarvittaessa vedellä.

## 6. Kompostin ja suotonesteen käyttö puutarhassa

Komposti on erinomaista maanparannusainetta ja sisältää kasveille käyttökelpoisia pitkävaikutteisia ravinteita. Yleensä kompostimulta jaetaan kahteen luokkaan kypsyyden perusteella; puolikypsä katekomposti ja kypsä kompostimulta.

#### Katekompostin kypsytys kompostimullaksi

Biowaste Composter:sta tyhjennettävä massa on yleensä kypsyyntynyt katekompostivaiheeseen. Katekompostia suositellaan käytettäväksi vain koristekasvien juureen. Mikäli haluat käyttää sitä syötävälle kasveille, jälki kompostoi sitä vielä vuosi, jotta komposti ehtii kehittyä varsinaiseksi kompostimullaksi.

#### Katekompostin käyttö

Katekompostilla tarkoitetaan puolikypsää kompostia. Tällöin hajoaminen on ehtinyt niin pitkälle, että ruokajätteet ovat hajonneet. Kovempi puuaines sekä esim. kananmunan- ja sitrushedelmien kuoret saattavat olla vielä hajoamatta, joten katekomposti on ulkonäöltään karkeata. Puolikypsässä kompostissa saattaa olla jäljellä kasvua ja itämistä estäviä aineita, joten sitä ei kannata käyttää kasvualustana. Katekomposti ei ole haitaksi kasveille, kun sitä levitetään koristekasvien juurelle muutaman sentin kerroksena. Kompostin sisältämät ravinteet vapautuvat näin kasviin käyttöön.

### 6.1. Kypsan kompostimullan käyttö

Kompostin lannoitusvaikutus riippuu sen raaka-aineista. Talousjätteestä muodostunut komposti on yleensä ravintoarvoiltaan parempaa kuin puutarhajättepohjainen komposti. Pelkkä kompostimulta ei ole hyvä kasvualusta, vaan siihen tulee lisätä 1/3–1/2 kivinäismaata, esimerkiksi hiekkaa, hietaa, hiesua tai savea.

### 6.2. Suotonesteen käyttö

Jos olet kerännyt kompostorin suotonestereikään liitetyn letkuan kautta pohjalta erottuvan ylimääräisen suotonesteen, voit hyödyntää sen. Suotoneste sisältää ravinteita, jotka ovat kasveille käyttökelpoisessa muodossa.

- Käytä suotoneste laimennettuna vedellä vähintään suhteessa 1:2 puutarhan kasvien Kasteluun.
- Voit myös kierrättää suotonesteen takaisin Biowaste Composter:iin kaatamalla se yläkautta massaan. Lisää kuiviketta ja imeytystä siihen korkeintaan 5 litraa/vrk. Jos massa on ennestään märkää, älä kastele sitä enää suotonesteellä.

## 7. Mahdolliset ongelmatilanteet

### 7.1. Mädäntyneen haju

Mikäli kompostorissa haisee mädäntyneeltä, on massa liian tiivis, kostea ja happi on loppunut.

- Tarkista, että käytössä oleva kuivike on kompostointiin soveltuvaa.
- Tarkista, että Biolan kuiviketta on käytetty riittävästi.
- Lisää kuivikkeen määrää tilapäisesti, kunnes kosteus on kurissa.
- Avaa ja tyhjennä biohajoavat pussit ennen kompostoriin laittamista.
- Tyhjennä kompostorista alakautta märkää massaa pois (katso kohta 5.2). Levitä se koristekasvien juurelle parin sentin kerrokseksi. Paha haju häviää muutamassa päivässä. Lisää pari lapiollista Biolan kuiviketta tyhjennysluukusta (osa 5) kompostorin pohjalle. Pudota massa alas ja möyhennä sekaan runsaasti Biolan kuiviketta.

### 7.2. Ammoniakin haju

Mikäli kompostorissa haisee pistävälle ammoniakille, haihtuu massasta typpeä. Jos typpeä on liian runsaasti suhteessa hiileen, pieneliöt eivät ehdi käyttämään sitä hyödyksi.

- Yarkista, ettei kompostoriin ole laitettu runsaasti typpipitoista ainesta; esim. virtsaa tai kanankakkaa. Lopeta ylimääräyksen annostelu kompostiin.
- Älä lisää tuhkaa tai kalkkia kompostoriin.
- Tarkista, että käytössä oleva kuivike on kompostointiin soveltuvaa.
- Tarkista, Biolan kuivike on käytetty riittävästi.
- Lisää täytön yhteydessä kuivikkeen määrää tilapäisesti, kunnes haju lakkaa.
- Möyhennä kompostia.

### 7.3. Kompostoituminen ei käynnisty

- Varmista pintaa kääntämällä ja tyhjennysluukusta katsomalla, että massa on sopivan kosteata.

#### Kosteus on sopiva =>

1. Kompostoituminen ei ole lähtenyt vielä käyntiin (katso kohta 4.1). Jatka täyttöä normaalisti.
2. Jättemäärä on niin vähäistä, että kuumia lämpötiloja ei muodostu. Jäte kompostoituu hitaammin. Jatka käyttöä normaalisti. Korkeata lämpötilaa ratkaisevampaa on, ehtiikö jäte kompostoitua ennen tyhjennystä. Mikäli haluat kompostoitumiseen vauhtia, lisää kompostiin typpeä, esimerkiksi kompostointia edistävää herätettä.
3. Kompostorin pohjalla on massa kompostoitunut niin pitkälle, että kuumavaihe on ohi. Tyhjennä kompostoria ja jatka käyttöä.



#### Kompostimassa on liian märkää =>

- Tarkista, että käytössä oleva kuivike on kompostoituisen soveltuvaa.
- Tarkista, että Biolan kuiviketta on käytetty riittävästi.
- Lisää kuivikkeen määrää tilapäisesti, kunnes kosteus on sopiva.
- Tyhjennä kompostorista alakautta märin massa pois. Lapiopari lapiollista Biolan kuiviketta tyhjennysluukusta kompostorin pohjalle. Pudota massa yläkautta alas ja möyhennä sekaan runsaasti Biolan kuiviketta.
- Huomioi jatkossa, että massa ei pääse kostumaan liikaa.

#### Kompostimassa on liian kuivaa =>

- Kastele lämpimällä vedellä.
- Kierrätä pohjalta liian kuiva jäte kasteltuna uudelleen kompostoriin.
- Huomioi jatkossa, että massassa on riittävästi kosteutta.

#### 7.4. Kompostimassa jäätyy

- Toimi ennen kuin kompostimassa on jäässä. Jos kompostori on täynnä, tyhjennä sitä myös talvella.
- Ehkäise jäätyminen riittäväällä käytöllä (= täyttö ja tyhjennys) ja pitämällä näin pieneliötoimintaa yllä. Katso kohta 5 ja 5.1-5.4.
- Pidä kompostori talvella melko täynnä ja tyhjennä pieniä määriä kerrallaan.
- Kiinnitä huomiota kompostimassan kosteuteen; märkää massa jäätyy herkemmin (katso kohta 7.3).
- Käytä talvella reilusti Biolan kuiviketta. Lisää kompostin pintakerrokseen esimerkiksi kompostointia edistävää herätettä. Peitä se kuivikkeella.
- Kasaa kompostorin ympärille lisälämmikkeeksi lunta.
- Lämmitä massaa hautaamalla pintaan esim. kuumalla vedellä täytetty 10 litran kanisteri kompostimassaan ja vaihda lämmintä vettä riittävän tiheästi.

#### 7.5. Kompostimassa on liian tiivistä

- Lisää reilusti Biolan kuiviketta. Möyhennä kuiviketta massan joukkoon.
- Käytä jatkossa reilummin kuiviketta ja huomioi täytössä, ettei tiiviitä kerroksia synny esimerkiksi ruohosta, juuresten kuorista tai lehdistä.

#### 7.6. Kompostorissa on karpäsiä tai niiden toukkia

Flugor är mera benägna att söka sig till komposten om massan är för våt. Fluglarver är cirka en centimeter långa vita maskar med svart huvud. Se även punkt 7.3.

- Lisää reilusti Biolan kuiviketta möyhentäen ja käytä jatkossa kuiviketta enemmän.
- Käännä pintaosa syvemmälle kompostiin. Karpäsen toukat kuolevat noin +43 asteen lämpötilassa.
- Lisää pintaan noin 2 cm:n kerros kuiviketta. Huolehdi jatkossa, että erityisesti liha- ja kalajätteet on huolella peitetty.
- Huuhtelee varovaisesti kompostorin sisäseinät ja kansi kuumalla vedellä, jotta munat ja toukat tuhoutuvat.
- Halutessasi voit torjua karpäset sumutettavalla torjunta-aineella, jonka tehoaine on pyretriini. Kysy neuvoa puutarha-kauppiaaltasi torjunta-aineen valinnassa.

#### 7.7. Kompostorissa on muurahaisia

Kompostorissa on muurahaisille ruokaa ja hyvät oltavat, minkä vuoksi niitä on vaikea pitää pois sieltä. Muurahaiset viihtyvät yleensä kompostorin alaosassa jäähtymisvaiheessa olevassa kompostissa. Muurahaisista ei ole haittaa kompostin toiminnalle.

- Varmista että kompostori ei ole liian kuiva.
- Muurahaisten oloa voi häiritä tyhjentämällä säännöllisesti pieniä kompostimääriä.

#### 7.8. Kompostissa on hometta

Homeet kuuluvat kompostin hajottajaeliöihin ja ovat normaalia kompostissa.

- Älä poista hometta.
- Jatka kompostorin käyttöä normaalisti.

#### 7.9. Kompostissa on sieniä

Sienet hajottavat kompostissa olevaa puuainesta, esimerkiksi kuivikkeen karkeata ainesta ja ovat normaalia kompostissa.

- Anna sienien olla kompostissa, ne häviävät itseksensä.
- Jatka kompostorin käyttöä normaalisti.

#### Tuotteen hävittäminen

Valmistusmateriaalit selviävät osaluettelosta (s.55) Hävitä kukin osa asianmukaisesti. Noudata aina alueellisia ja keräyspistekohtaisia ohjeita.



PE-LD



PE-HD



PP

Energijätekeräykseen tai muovin kierrätykseen:  
EPDM = eteenipropeni  
PE = polyeteeni  
PP = polypropeeni  
EPP = solupolystyreeni

Energijätekeräykseen:  
PU = polyuretaani  
Silikoni

Metallinkeräykseen:  
RST = ruostumaton teräs

Paperinkeräykseen:  
Paperi

#### Takuuasiat

**Biolan Biovaste Composter:lla on yhden (1) vuoden takuu.**

1. Takuu alkaa ostopäivästä ja koskee mahdollisia materiaali- ja valmistusvikoja. Takuu ei kata mahdollisia välillisiä vahinkoja.
2. Biolan Oy pidättää oikeuden päättää viallisen osan korjaamisesta tai vaihtamisesta.
3. Vahingot, jotka aiheutuvat laitteen huolimattomasta tai väkivaltaisesta käsittelystä, käyttöohjeiden noudattamatta jättämisestä tai normaalista kulumisesta eivät kuulu tämän takuun piiriin.

Takuuasioissa pyydämme teitä kääntymään suoraan Biolan Oy:n puoleen.

FI



# BIOLAN

## Kompostér na bioodpad

### Návod k použití

Kompostér Biolan na bioodpad je určen k celoročnímu kompostování kuchyňského odpadu. Tento tepelně izolovaný kompostér s účinným větracím systémem rychle vytváří kompost. Kompostér Biolan na bioodpad je dimenzován na bioodpad produkovaný jednou rodinou. Pokud se kompostér Biolan na bioodpad používá správně, hmota bude účinně kompostována, což zpříjemní jeho používání a vyprazdňování.

#### Obsah

Rozměry	59
Seznam součástí	60
1. Povolení a předpisy pro kompostování	61
2. Volba správného místa pro kompostér	61
3. Před použitím	61
3.1 Připojení hadice na průsakovou kapalinu a odvádění kapaliny	61
4. Uvedení do provozu	61
4.1 Zahájení kompostování	61
5. Používání kompostéru na bioodpad	61
5.1 Plnění	61
5.2 Vyprazdňování	61
5.3 Problémy, s nimiž je třeba počítat během chladného období	62
5.4 Čištění kompostéru na bioodpad	62
6. Používání kompostu a průsakové kapaliny na zahradě	62
6.1 Používání zralé kompostové zeminy	62
6.2 Používání průsakové kapaliny	62
7. Řešení problémů	62
7.1 Hnilobný zápach	62
7.2 Čpavkový zápach	62
7.3 Nespouští se proces kompostování	62
7.4 Kompostová hmota zamrzá	63
7.5 Kompostová hmota je příliš hustá	63
7.6 Mouchy nebo larvy much v kompostéru	63
7.7 Mravenci v kompostéru	63
7.8 Plíseň v kompostéru	63
7.9 Houby v kompostéru	63
Likvidace výrobku	63
Záruka	63
Spis trešci	64



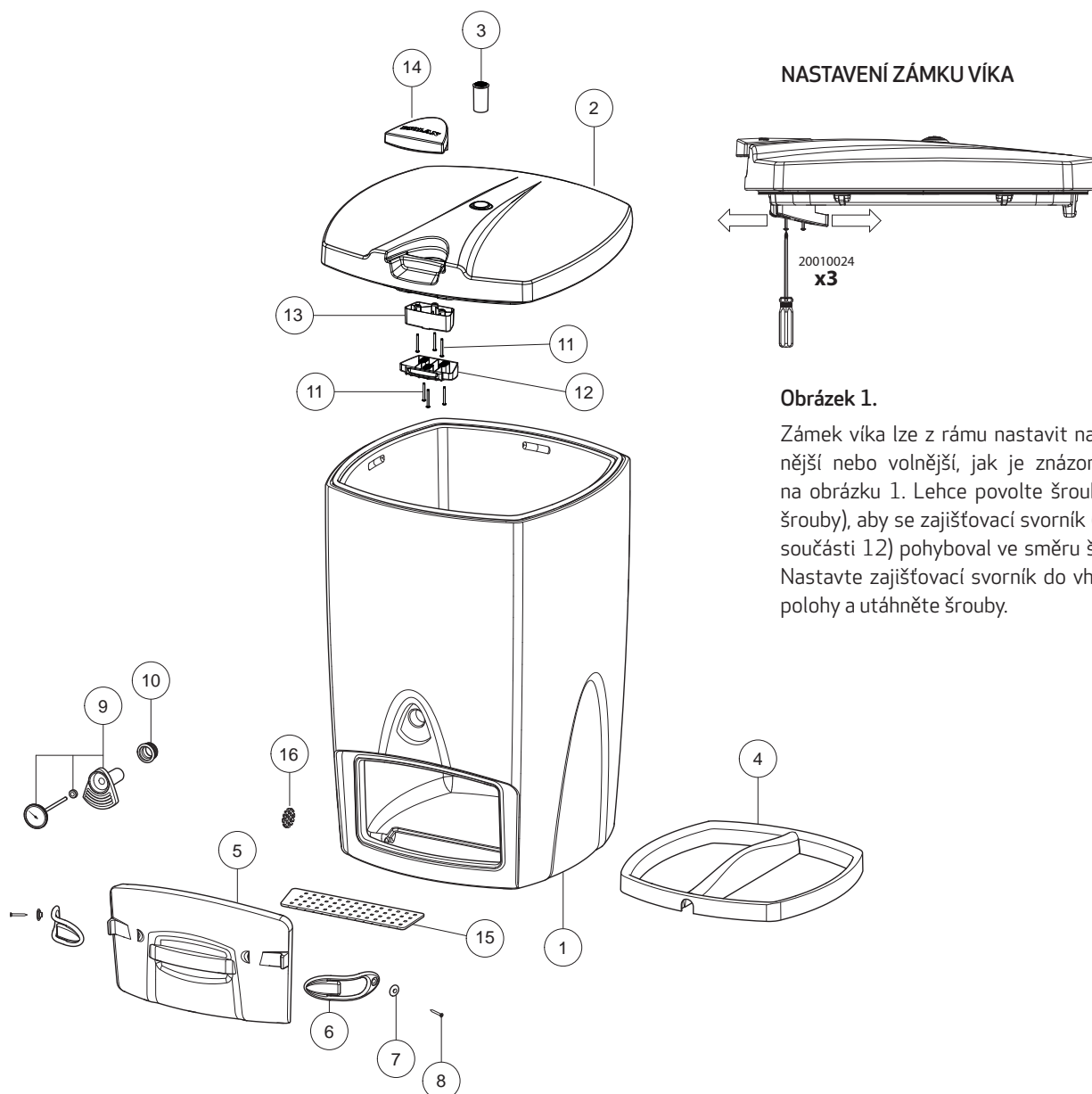
#### Rozměry

Přibližný objem	200 litrů
Kapacita (v závislosti na objemu a typu odpadu)	1–6 osob
Dno (š x h)	54 x 54 cm
Víko (š x h)	62 x 63 cm
Celková výška kompostéru	100 cm
Pracovní výška	91 cm
Přibližná hmotnost v prázdném stavu	21 kg
Přibližná hmotnost v plném stavu	100–150 kg
Hmotnost víka po otevření	1,5 kg
Průměr výtokového otvoru	32 mm

CS

## Seznam součástí

Součást	Položka	Číslo součásti	Materiál
1	Rám	17792901	PE+PU
2	Víko	17710040	EPP
3	Ventil odpadního vzduchu	18710400	PP
4	Kanál pro přívodní vzduch	18792003	PE
5	Vyprazdňovací dvířka	18790950	PE+PU
6	Západka	18710370	EPDM
7	Podložka pro gumový řemínek západky	18726140	PE
8	Šroub západky	20010023	RST
9	Ventil přívodního vzduchu	18792903	PE
	Těsnění		Silikon
	Teploměr		RST
10	Gumová průchodka 30/40	19780050	EPDM
11	Šroub pro připevnění rukojeti 4,5 x 45 x 20 A2	20010024	RST
12	Zajišťovací svorník	18704098	PP
13	Zajišťovací kus	18704097	PP
14	Rukojeť	18704095	PP
15	Deska na odlučování kapaliny	18710141	PE
16	Mřížka proti hlodavcům	21900020	RST
	Kromě součástí uvedených ve výčtu obsahuje kompostér následující položky:		
	Návod k použití	27579070	Papír
Nainstalováno	Těsnění víka	19733220	Silikon
Nainstalováno	Těsnění vyprazdňovacích dvířek	19733210	PE



### NASTAVENÍ ZÁMKU VÍKA

Obrázek 1.

Zámek víka lze z rámu nastavit na těsnější nebo volnější, jak je znázorněno na obrázku 1. Lehce povolte šrouby (3 šrouby), aby se zajišťovací svorník (číslo součásti 12) pohyboval ve směru šipek. Nastavte zajišťovací svorník do vhodné polohy a utáhněte šrouby.

## 1. Povolení a předpisy pro kompostování

V jednotlivých zemích a obcích platí odlišná povolení a předpisy vztahující se na kompostování. Seznamte se s předpisy platnými ve vaší oblasti, které vám poskytne odbor životního prostředí vašeho místního úřadu.

## 2. Volba správného místa pro kompostér

Umístěte kompostér na bioodpad tam, kam budete moci celý rok snadno vynášet odpad a kde ho budete moci snadno vyprazdňovat.

Postavte kompostér na pevný povrch v místě s dobrým odvodňováním. Ujistěte se, že kompostér stojí vodorovně.

Kompostér na bioodpad má na levé spodní straně výtokový otvor, odkud vytéká veškerá nadbytečná kapalina. Položte kompostér přímo na zem, aby se mohla veškerá průsaková kapalina vsakovat do půdy. Jinak lze průsakovou kapalinu shromažďovat (viz kapitola 3.1).

Pokud je kompostová hmota neobvykle mokrá, průsaková kapalina může prosakovat také pod vyprazdňovací dvířky (součást 5) a z ventilu přírodního vzduchu na přední straně kompostéru (součást 9).

## 3. Před použitím

Umístěte desku na odlučování kapaliny (součást 15) do prohlubně ve dně kompostéru (výpusti průsakové kapaliny). Deska na odlučování kapaliny slouží k odlučování veškeré nadbytečné kapaliny z kompostové hmoty. V případě potřeby lze desku oddělit a vyčistit.

### 3.1 Připojení hadice na průsakovou kapalinu a odvádění kapaliny

Kompostér na bioodpad má na levé spodní straně výtokový otvor, který umožňuje vypouštět veškerou nadbytečnou kapalinu, aby se vsákla do půdy. Chcete-li, můžete shromažďovat průsakovou kapalinu v nádobě, ale není to povinné. Z výtokového otvoru na spodním okraji kompostéru odstraňte mřížku proti hlodavcům, například pomocí šroubováku. Připojte k výtokovému otvoru na spodním okraji kompostéru hadici o průměru 32 mm. Druhý konec hadice vložte do nádoby umístěné na takovém místě, odkud bude voda proudit z kopce.

## 4. Uvedení do provozu

Na dno kompostéru dejte pěticentimetrovou (5cm) vrstvu zásyrového kypřicího materiálu Biolan.

Začněte používat kompostér způsobem popsaným v kapitole 5. Až budete poprvé vkládat odpad do kompostéru, použijte více zásyrového kypřicího materiálu, než se doporučuje – později můžete jeho množství snížit.

### 4.1 Zahájení kompostování

Kompostování začíná v okamžiku, kdy je v kompostéru dostatek odpadu, tj. když je asi z poloviny plný. Jakmile se tento proces spustí, přibližně za pět až osm týdnů se odpad změní v krycí zeminu. Jestliže je venkovní teplota nižší než 0 °C, tento proces se může spouštět pomaleji. Mikroorganismy, které se rozmnoží uvnitř kompostéru, budou zvyšovat vnitřní teplotu a udržovat ji na určité hodnotě za předpokladu, že se do kompostéru pravidelně přidává odpad. Tepelně izolační materiál kompostéru bude zachovávat teplo a bránit venkovnímu vzduchu v ochlazení kompostové hmoty.

Nejlepším ukazatelem dobře fungujícího kompostéru je kvalita kompostové masy při vyprazdňování. Pokud kompostér funguje dobře, hmota bude rozložena až na slupky citrusových plodů nebo vaječné skořápky, které mohou být stále dobře patrné.

## 5. Používání kompostéru na bioodpad

Kompostér je určen pouze pro biologicky rozložitelné materiály. Nevkládejte do kompostéru nic, co by mohlo ztížit průběh kompostování nebo zabránit přeměně v kompost, například:

- Plasty, gumu, sklo, kůži
- Chemikálie, konzervační látky na dřevo, dezinfekční prostředky, barvy, rozpouštědla, benzín
- Saponáty, vodu použitou k mytí/praní
- Vápenec
- Popel, cigaretové nedopalky, zápalky
- Sáčky z vysavače
- Barevné tištěné reklamy
- Velké množství papíru

### 5.1 Plnění

- Vyprázdněte nádobu s bioodpadem do kompostéru. Pamatuje, že čím větší kusy odpadu vložíte do kompostéru, tím déle bude trvat, než se rozloží.
- Pokud používáte biologicky rozložitelné pytle na odpad, vyprázdněte obsah pytle do kompostéru a pytel vložte odděleně.
- Vždy pokryjte odpad zásyrovým kypřicím materiálem Biolan. Za správné množství se obvykle považuje přibližně třetina až polovina množství nového odpadu uloženého v kompostéru. Pokud je odpad mokrá, použijte více zásyrového kypřicího materiálu.
- Pokračujte v plnění kompostéru postupně produkovaným odpadem. Několikrát za týden se pokuste přidat do kompostéru více odpadu. To je důležité zejména v chladném období.
- Zamíchejte nejnovější kompost do hloubky asi 20–30 cm od povrchu. Není nutné míchat kompost po každém plnění. Čím více zásyrového kypřicího materiálu použijete, tím méně je nutné míchat hmotu.
- Nemíchejte celou kompostovou hmotu až ke dnu, aby se předešlo tomu, že nejnížší, již vychladlé vrstvy kompostu ochladí kompostovou hmotu, která je stále teplá.

### 5.2 Vyprazdňování

- Kompostér na bioodpad se musí vyprazdňovat po celý rok. Vyprazdňujte kompostér, když je téměř plný, a to častěji během chladného období, než během teplého období. Po vyprázdnění je v kompostéru více kyslíku, který často zvyšuje teplotu uvnitř kompostéru.
- V zimě odebírejte v jednom okamžiku pouze trochu kompostové hmoty. V létě můžete odebírat více, ale vždy vyložte nejvýše polovinu kompostové hmoty.
- Otevřete vyprazdňovací dvířka (součást 5) a lopatou odeberte trochu hmoty ze dna kompostéru.
- Také vyčistěte prostor pod deskou na odlučování kapaliny (součást 15) a ujistěte se, že není ucpaná hadice na průsakovou kapalinu.
- Pokud je odebraná hmota velmi mokrá, vložte do spodní části kompostéru několik lopat zásyrového kypřicího materiálu Biolan.
- Zavřete vyprazdňovací dvířka.
- Stlačte hmotu shora, například lopatou. Bude jednodušší, když začnete od rohů. Dávejte pozor, abyste nepoškodili kanál pro přírodní vzduch, který se nachází uprostřed kompostéru.
- V případě potřeby vyprázdněte nádobu na průsakovou kapalinu.

### 5.3 Problémy, s nimiž je třeba počítat během chladného období

Při kompostování odpadu vzniká uvnitř kompostéru teplo; samotné zařízení nevytváří žádné teplo. Mikroorganismy potřebují pravidelný přísun čerstvého odpadu, aby si zachovaly životní funkce.

Tepelná izolace kompostéru na bioodpad zabráňuje unikání tepla, čímž podporuje jeho činnost a chrání kompostovou hmotu před zmrznutím.

- Během chladného období je velmi důležité pravidelné používání kompostéru, tj. plnění a vyprazdňování. Je to jediný způsob, jak uvnitř kompostéru zachovat příznivé podmínky pro mikroorganismy a tím udržovat kompostování v činnosti.
- Během chladného období nesnižujte množství zásypového kypřicího materiálu, ani ho vůbec nepřestávejte používat; dostatečné množství tohoto materiálu je důležité zejména v zimě, protože mokrá kompostová hmota může snáze zmrznout.
- Skladujte zásypový kypřicí materiál na teplém místě chráněném před deštěm.
- Zajistěte, aby ventily přívodního a výstupního vzduchu (součásti 9 a 3) na kompostéru nezamrzly, protože by to zabránilo správnému větrání kompostéru. Odstraňte veškerý led.
- Pokud kompostová hmota zamrzne, nedojde k poškození kompostéru, jeho součástí ani kompostové hmoty. Až nakonec kompostová hmota rozmrzne, kompostování bude pokračovat.

### 5.4 Čištění kompostéru na bioodpad

- Nemyjte kompostér. Různé plísňé a aktinobakterie v kompostu jsou důležité rozkladné organismy a neměli byste je vymýt.
- V případě potřeby vyčistěte vodou ventil přívodního vzduchu (součást 9), ventil odpadního vzduchu (součást 3) a hadici na průsakovou kapalinu (pokud se používá).

## 6. Používání kompostu a průsakové kapaliny na zahradě

Kompost je vynikající hnojivo a obsahuje dlouhodobě působící živiny pro rostliny. Kompostová zemina se obvykle rozděluje do dvou skupin na základě zralosti: polozralá krycí zemina a zralá kompostová zemina.

### Zrání krycí zeminy na kompostovou zeminu

Když vyložíte hmotu z kompostéru na bioodpad, obvykle již uzrála do fáze krycí zeminy. Doporučuje se používat krycí zeminu pouze k pokrývání záhonů s okrasnými rostlinami. Chcete-li ji použít na jedlé rostliny, měli byste ji nechat kompostovat další rok, aby hmota uzrála na správnou kompostovou zeminu.

### Používání krycí zeminy

Jako krycí zemina se označuje polozralá kompostová hmota. Proces rozkladu pokročil do fáze, ve které se rozkládá kuchyňský odpad. Tvrdší dřevní hmota, vaječné skořápky a například slupky citrusových plodů mohou být stále patrné, takže krycí zemina má hrubší vzhled. Polozralý kompost může stále obsahovat látky, které ohrožují růst a klíčení, proto by se neměl používat jako substrát pro pěstování rostlin. Když se krycí zemina rozprostře tak, aby v několikacentimetrové vrstvě pokrývala záhony s okrasnými rostlinami, rostlinám to neškodí. Z kompostu se budou moci uvolňovat živiny, které mohou rostliny vstřebávat.

### 6.1 Používání zralé kompostové zeminy

Hnojivý účinek kompostu závisí na obsažených surovinách. Výživová hodnota kompostu tvořeného odpadem z domácnosti bývá obvykle vyšší než v případě kompostu ze zahradnického odpadu. Samotná kompostová zemina nepředstavuje dobrý substrát; raději byste měli přidat třetinu minerální půdy, například písku, bahna, hlíny nebo jílu.

### 6.2 Používání průsakové kapaliny

Jestliže používáte hadici připojenou k výtokovému otvoru kompostéru ke shromažďování nadbytečné průsakové kapaliny ze dna kompostéru, můžete ji použít na zahradě. Průsaková kapalina obsahuje živiny, které mohou rostliny ihned vstřebávat.

- Při zalévání zahradních rostlin používejte průsakovou kapalinu zředěnou vodou (v poměru alespoň 1:2).
- Průsakovou kapalinu můžete také recyklovat v kompostéru na bioodpad tak, že ji shora nalijete zpět do kompostové hmoty. Přidejte trochu zásypového kypřicího materiálu a absorbujte maximální 5 litrů kapaliny za den. Jestliže je již hmota mokrá, dále ji nezvlhčujte průsakovou kapalinou.

## 7. Řešení problémů

### 7.1 Hnilobný zápach

Pokud je z kompostéru cítit zápach hniloby nebo rozkladu, kompostová hmota je příliš hustá nebo mokrá, nebo uvnitř kompostéru není žádný kyslík.

- Ujistěte se, že používáte vhodný zásypový kypřicí materiál pro váš kompostér.
- Ujistěte se, že jste použili dost zásypového kypřicího materiálu.
- Dočasně zvyšte množství zásypového kypřicího materiálu, dokud nepřestane být kompostová hmota příliš mokrá.
- Nezapomeňte otevřít a vyprázdnit biologicky rozložitelné pytle, než je vložíte do kompostéru.
- Odeberte trochu mokré kompostové hmoty ze dna kompostéru (viz kapitola 5.2). Rozložte několik centimetrů hmoty kolem okrasných rostlin. Nepříjemný zápach se za pár dnů ztratí. Přidejte několik lopat zásypového kypřicího materiálu Bialan do spodní části kompostéru skrz vyprazdňovací dvířka (součást 5). Zhutněte hmotu a zamíchejte do ní spoustu zásypového kypřicího materiálu Bialan.

### 7.2 Čpavkový zápach

Pokud je z kompostéru cítit štiplavý čpavkový zápach, z kompostové hmoty se uvolňuje dusík. Jestliže je příliš mnoho dusíku v poměru k uhlíku, mikroorganismy nebudou schopny jej využít.

- Ujistěte se, že jste do kompostéru nepřidali příliš mnoho materiálů obsahujících dusík, například moči nebo slepičího trusu. Přestaňte přidávat do kompostéru příliš mnoho dusíku.
- Nedávejte do kompostéru žádný popel nebo vápenec.
- Ujistěte se, že používáte vhodný zásypový kypřicí materiál pro váš kompostér.
- Ujistěte se, že jste použili dost zásypového kypřicího materiálu.
- Dočasně zvyšte množství zásypového kypřicího materiálu, který používáte při plnění kompostéru, dokud nepříjemný zápach nezmizí.
- Zamíchejte kompostovou hmotu.

### 7.3 Nespouští se proces kompostování

- Zamíchejte horní část kompostové hmoty a ověřte skrz vyprazdňovací dvířka, zda je hmota přiměřeně vlhká.

#### Pokud je hmota přiměřeně vlhká:

1. Proces kompostování se dosud nespustil (viz kapitola 4.1). Pokračujte v normálním plnění kompostéru.
2. Objem odpadu je tak malý, že uvnitř kompostéru není dostatečně vysoká teplota. Potrvá to déle, než se z odpadu stane kompost. Pokračujte v normálním používání kompostéru. Dostatek času na to, aby se odpad změnil v kompost, než vyprázdníte kompostér, je důležitější než vysoká teplota. Pokud chcete urychlit kompostování, přidejte více dusíku. Můžete použít například spouštěcí prostředek pro kompostéry.
3. Hmota ve spodní části kompostéru zkompostovala do fáze, ve které již není horká. Odeberte trochu kompostové hmoty a pokračujte v používání kompostéru.

### Kompostová hmota je příliš mokrá:

- Ujistěte se, že používáte vhodný zásypaný kypřicí materiál pro váš kompostér.
- Ujistěte se, že jste použili dost zásypaného kypřicího materiálu.
- Dočasně zvyšte množství zásypaného kypřicího materiálu. Pokud nepřestane být kompostová hmota příliš mokrá.
- Odeberte nejmokřejší část kompostové hmoty ze spodní části kompostéru. Přidejte několik lopat zásypaného kypřicího materiálu Biolan do spodní části kompostéru skrz vyprazdňovací dvířka. Shora zhutněte hmotu a zamíchejte do ní spoustu zásypaného kypřicího materiálu Biolan.
- Zajistěte, aby v budoucnu nebyla kompostová hmota příliš mokrá.

### Kompostová hmota je příliš suchá:

- Zalijte hmotu teplou vodou.
- Odstraňte příliš suchý odpad ze spodní části kompostéru, namočte ho a vložte ho zpět do kompostéru.
- Zajistěte, aby v budoucnu zůstala kompostová hmota dostatečně vlhká.

## 7.4 Kompostová hmota zamrzá

- Jednejte dříve, než kompostová hmota úplně zamrzne. Pokud je kompostér plný, odebírejte trochu hmoty také v zimě.
- Zamezte zamrznání tím, že budete kompostér používat (tj. plnit a vyprazdňovat), aby mikroorganismy zůstaly aktivní. Viz kapitoly 5 a 5.1–5.4.
- Zajistěte, aby byl kompostér v zimě vždy dost plný; v jednom okamžiku vždy odebírejte pouze malé množství kompostové hmoty.
- Věnujte pozornost míře vlhkosti kompostové hmoty; mokrá kompostová hmota snáze zamrzne (viz kapitola 7.3).
- V zimě používejte spoustu zásypaného kypřicího materiálu Biolan. Do povrchové vrstvy můžete přidat spouštěcí prostředek, abyste podpořili proces kompostování. Pokryjte ho vrstvou zásypaného kypřicího materiálu.
- Nakupte kolem kompostéru trochu sněhu, aby si udržel více tepla.
- Ohřejte kompostovou hmotu například tak, že do vrchní vrstvy vložíte desetilitrový kanystr naplněný horkou vodou, který budete dostatečně často vyměňovat.

## 7.5 Kompostová hmota je příliš hustá

- Přidejte spoustu zásypaného kypřicího materiálu Biolan. Vmíchejte zásypaný kypřicí materiál do kompostové hmoty.
- V budoucnu používejte více zásypaného kypřicího materiálu a zajistěte, aby při plnění kompostéru nevznikaly husté vrstvy trávy, slupek kořenové zeleniny, listů atd.

## 7.6 Mouchy nebo larvy much v kompostéru

Pokud je hmota příliš mokrá, existuje jistá možnost, že kompost obsahuje mouchy. Larvy much jsou bílí červi s černou hlavou. Mají délku asi jeden centimetr. Viz také kapitola 7.3.

- Přidejte spoustu zásypaného kypřicího materiálu Biolan, zamíchejte ho do kompostové hmoty a v budoucnu používejte více tohoto materiálu.
- Zamíchejte nejsvrchnější část kompostové hmoty do zbytku hmoty. Když teplota dosáhne přibližně +43 °C, larvy much umrtnou.
- Přidejte nahoru asi 2cm vrstvu zásypaného kypřicího materiálu. Zajistěte, aby byly v budoucnu veškeré zbytky masa a much náležitě pokryté.
- Opatrně opláchněte vnitřní stěny a víko kompostéru horkou vodou, abyste zničili veškerá vajíčka a larvy.
- Na ochranu kompostu před mouchami můžete použít také postřik pesticidem obsahujícím pyrethrin jako aktivní složku. Se žádostí o radu ohledně výběru vhodného prostředku se obraťte na svůj obchod se zahradnickým zbožím.

## 7.7 Mravenci v kompostéru

Kompostér obsahuje potravu a dobré prostředí pro mravence, což znamená, že je obtížné zabránit jim, aby nevnikli dovnitř. Mravenci se obvykle rádi usazují ve spodní části kompostéru s kompostovou hmotou, která chladne. Mravenci nenaruší kompostování.

- Zajistěte, aby nebyla kompostová hmota příliš suchá.
- Pravidelné odebírání malého množství kompostové hmoty způsobí, že mravenci se nebudou v tomto prostředí cítit příliš dobře.

## 7.8 Plíseň v kompostéru

Plíseň je jednou z rozkladných složek v kompostéru a její přítomnost je normální.

- Neodstraňujte plíseň.
- Pokračujte v normálním používání kompostéru.

## 7.9 Houby v kompostéru

Houby tráví dřevo v kompostové hmotě, například tvrdé části zásypaného kypřicího materiálu, a jejich přítomnost v kompostéru je normální.

- Nechte houby být; samy zmizí.
- Pokračujte v normálním používání kompostéru.

## Likvidace výrobku

Materiály, z nichž je výrobek vyroben, jsou uvedeny v seznamu součástí (str. 60). Náležitě zlikvidujte jednotlivé součásti. Vždy dodržujte regionální předpisy a pokyny konkrétní sběrný.



Sběr s energetickým využitím nebo recyklace plastů:  
EPDM = ethylenpropylen  
PE = polyethylen  
PP = polypropylen  
EPP = pěnový polystyren



Sběr odpadu s energetickým využitím:  
PU = polyurethan  
Silikon



Recyklace kovů:  
RST = nerezová ocel

Sběr papírového odpadu:  
Papír

## Záruka

**Kompostér Biolan na bioodpad má záruku v délce jednoho (1) roku.**

1. Tato záruka platí od data koupě a vztahuje se na jakékoli vady materiálu a provedení. Záruka se nevztahuje na žádné nepřímé škody.
2. Společnost Biolan Oy si vyhrazuje právo opravit nebo vyměnit poškozené součásti na základě vlastního uvážení.
3. Tato záruka se nevztahuje na žádné škody vzniklé v důsledku nedbalé nebo násilné manipulace se zařízením, nedodržení návodu k obsluze nebo normálního opotřebení.

Ohledně záležitostí souvisejících se zárukou se obraťte přímo na společnost Biolan Oy.

# Kompostownik bioodpadów

## Instrukcja obsługi

Kompostownik bioodpadów Biolan jest przeznaczony do całorocznego kompostowania odpadów kuchennych. Izolowany termicznie kompostownik z wydajnym systemem wentylacji szybko produkuje kompost. Kompostownik bioodpadów Biolan ma wymiary dostosowane do ilości bioodpadów wytwarzanych przez jedną rodzinę. Jeżeli kompostownik bioodpadów Biolan będzie używany w prawidłowy sposób, masa będzie efektywnie kompostowana, co uprzyjemni użytkowanie i opróżnianie kompostownika.

### Spis treści

Wymiary	64
Lista części	65
1. Zezwolenia na kompostowanie i przepisy dotyczące kompostowania	66
2. Wybór właściwej lokalizacji kompostownika	66
3. Przed użyciem	66
3.1 Zamocowanie węża do cieczy odciekowej i odprowadzania cieczy	66
4. Rozpoczęcie użytkowania	66
4.1 Rozpoczęcie procesu kompostowania	66
5. Używanie kompostownika bioodpadów	66
5.1 Ładowanie	66
5.2 Opróżnianie	66
5.3 Kwestie, które należy wziąć pod uwagę w okresie zimowym	66
5.4 Czyszczenie kompostownika bioodpadów	67
6. Wykorzystanie kompostu i cieczy odciekowej w ogrodzie	67
6.1 Wykorzystanie dojrzałej gleby kompostowej	67
6.2 Wykorzystanie cieczy odciekowej	67
7. Rozwiązywanie problemów	67
7.1 Przykry zapach	67
7.2 Zapach amoniaku	67
7.3 Proces kompostowania nie rozpoczyna się	67
7.4 Masa kompostowa zamarza	68
7.5 Masa kompostowa jest zbyt gęsta	68
7.6 Muchy lub larwy much w kompostowniku	68
7.7 Mrówki w kompostowniku	68
7.8 Pleśń w kompostowniku	68
7.9 Grzyby w kompostowniku	68
Utylizacja produktu	68
Gwarancja	68

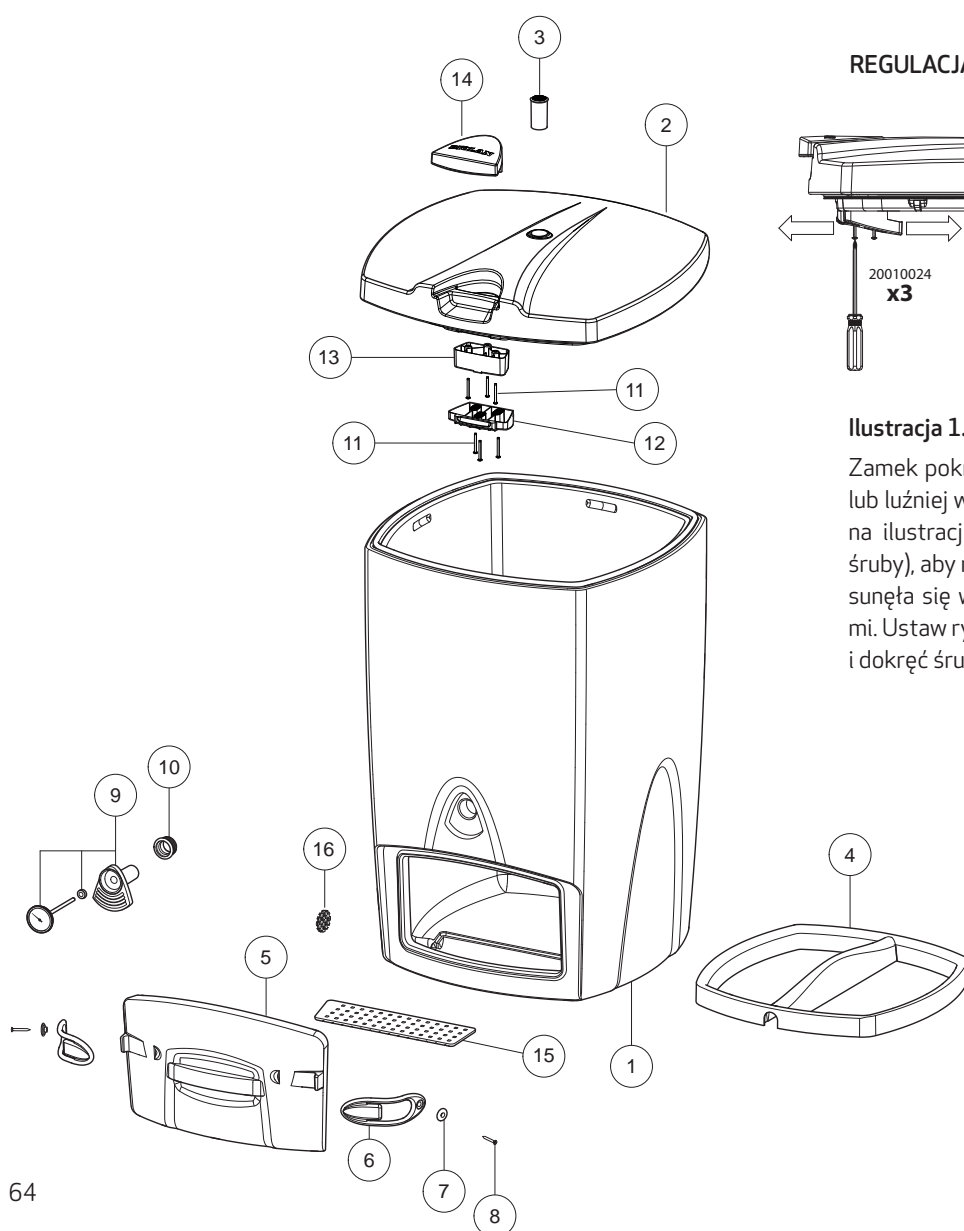


### Wymiary

pojemność w przybliżeniu	200 litrów
wydajność (w zależności od ilości i rodzaju odpadów)	1-6 osób
Dno (szer. x dł.)	54 x 54 cm
Pokrywa (szer. x dł.)	62 x 63 cm
Całkowita wysokość kompostownika	100 cm
Wysokość robocza	91 cm
Ciężar pustego kompostownika około	21 kg
Ciężar po zapełnieniu około	100-150 kg
Masa otwartej pokrywy	1,5 kg
Średnica otworu cieczy odciekowej	32 mm

## Lista części

Część	Pozycja	Numer części	Materiał
1	Rama	17792901	PE+PU
2	Pokrywa	17710040	EPP
3	Zawór odpowietrzający	18710400	PP
4	Wlotowy kanał powietrza	18792003	PE
5	Drzwiczki do opróżniania	18790950	PE+PU
6	Zatrask	18710370	EPDM
7	Podkładka do gumowego paska zatrzasku	18726140	PE
8	Śruba zatrzasku	20010023	RST
9	Zawór wlotowy powietrza	18792903	PE
	Uszczelka		Silikon
	Termometr		RST
10	Gumka uszczelniająca 30/40	19780050	EPDM
11	Śruba do uchwytu mocującego 4,5 x 45 x 20 A2	20010024	RST
12	Rygiel	18704098	PP
13	Zamek	18704097	PP
14	Uchwyt	18704095	PP
15	Płyta do rozdzielania cieczy	18710141	PE
16	Ostona przed gryzoniami	21900020	RST
	Oprócz części przedstawionych szczegółowo, kompostownik zawiera następujące elementy:		
	Instrukcja obsługi	27579070	Papier
Zainstalowana	Uszczelka pokrywy	19733220	Silikon
Zainstalowana	Uszczelka drzwiczek do opróżniania	19733210	PE



### REGULACJA ZAMKA POKRYWY

#### Ilustracja 1.

Zamek pokrywy można ustawić ciasniej lub luźniej względem ramy, jak pokazano na ilustracji 1. Lekko poluzuj śruby (3 śruby), aby rygiel (część numer 12) przesunęła się w stronę wskazaną strzałkami. Ustaw rygiel w odpowiednim miejscu i dokręć śruby.



## 1. Zezwolenia na kompostowanie i przepisy dotyczące kompostowania

Pozwolenia i przepisy mające zastosowanie do kompostowania różnią się w zależności od kraju i gminy. Proszę skonsultować się z lokalnym organem ds. ochrony środowiska w celu uzyskania informacji na temat przepisów obowiązujących w Twojej okolicy.

## 2. Wybór właściwej lokalizacji kompostownika

Umieścić kompostownik bioodpadów w miejscu, w którym można łatwo wyrzucać odpady i opróżniać je przez cały rok.

Ustawić kompostownik na twardej powierzchni w miejscu z dobrym drenażem. Upewnić się, że kompostownik jest wypoziomowany.

Kompostownik bioodpadów posiada otwór na ciecz odciekową w lewym dolnym rogu przeznaczony do odprowadzania nadmiaru cieczy. Umieścić kompostownik bezpośrednio na ziemi, tak aby gleba wchłonięta wszelką cieczą odciekową. Alternatywnie, można zbierać ciecz odciekową (patrz rozdział 3.1).

Jeśli masa kompostowa jest wyjątkowo mokra, ciecz odciekowa może również wyciekać spod drzwiczek do opróżniania (część 5) i z zaworu wlotowego powietrza z przodu kompostownika (część 9).

## 3. Przed użyciem

Umieścić płytę do oddzielania cieczy (część 15) we wgłębieniu znajdującym się w dnie kompostownika (spust cieczy odciekowej). Celem płyty do rozdzielania cieczy jest oddzielenie wszelkich nadmiarów cieczy od masy kompostowej. W razie potrzeby płytę można odłączyć i wyczyścić.

### 3.1 Zamocowanie węża do cieczy odciekowej i odprowadzania cieczy

Kompostownik bioodpadów posiada otwór na ciecz odciekową w lewym dolnym rogu, który umożliwia odprowadzanie nadmiaru cieczy z kompostownika i jej wchłanianie do gruntu. Można zbierać ciecz odciekową w pojemniku, ale nie jest to obowiązkowe. Zdjęć, na przykład śrubokrętem, osłonę przed gryzoniami z otworu na ciecz odciekową w dolnej krawędzi kompostownika. Do otworu cieczy odciekowej w dolnej krawędzi kompostownika podłączyć wąż do cieczy odciekowej o średnicy 32 mm. Drugi koniec węża należy umieścić w pojemniku umieszczonym w takim miejscu, aby ciecz spływała w dół.

## 4. Rozpoczęcie użytkowania

Umieścić pięciocentymetrową (5 cm) warstwę materiału wypełniającego Biolan na dnie kompostownika.

Rozpocząć użytkowanie kompostownika w sposób opisany w rozdziale 5. Przy pierwszym umieszczaniu odpadów w kompostowniku należy użyć więcej materiału wypełniającego niż jest to zalecane – później można zmniejszyć jego ilość.

### 4.1 Rozpoczęcie procesu kompostowania

Proces kompostowania rozpocznie się, gdy w kompostowniku znajdzie się wystarczająca ilość odpadów, tzn. kompostownik będzie w przybliżeniu w połowie pełny. Po rozpoczęciu procesu odpady zamienią się w kompost w ciągu około pięciu do ośmiu tygodni. Początek procesu może być wolniejszy, jeśli temperatura zewnętrzna jest niższa niż 0°C. Populacja mikroorganizmów, które rozwiną się wewnątrz kompostownika, podniesie temperaturę wewnątrz kompostownika i utrzyma ją na tym poziomie, pod warunkiem że odpady będą regularnie dodawane do kompostownika. Materiał termoizolacyjny kompostownika będzie zatrzymywał ciepło i zapobiegał ochłodzeniu masy kompostowej przez powietrze zewnętrzne.

Najlepszym wskaźnikiem dobrze funkcjonującego kompostownika jest jakość masy kompostowej podczas opróżniania urządzenia. Jeżeli kompostownik działa prawidłowo, odpady ulegną rozpadowi, z wyjątkiem skórek owoców cytrusowych lub skorupki jaj, które mogą być nadal wyraźnie widoczne.

## 5. Używanie kompostownika bioodpadów

Kompostownik jest przeznaczony wyłącznie do materiałów ulegających biodegradacji. Nie umieszczać w kompostowniku niczego, co mogłoby utrudnić proces kompostowania lub co nie przekształci się w kompost, np:

- Plastik, guma, szkło, skóra
- Środki chemiczne, środki do konserwacji i dezynfekcji drewna, farby, rozpuszczalniki, benzyna
- Detergenty, brudna woda po myciu
- Wapno
- Popiół, niedopałki papierosów, zapalniczki
- Worki z odkurzaczy
- Kolorowe ulotki reklamowe
- Duże ilości papieru

### 5.1 Ładowanie

- Opróżnić pojemnik na bioodpady do kompostownika. Należy pamiętać, że im większe są kawałki odpadów, które wkłada się do kompostownika, tym dłużej trwa ich rozkład.
- Jeśli używasz biodegradowalnych worków na śmieci, opróżnij zawartość worka do kompostownika i włóż go oddzielnie.
- Odpady należy zawsze pokrywać materiałem wypełniającym Biolan. Zwykle właściwa ilość wynosi około jednej trzeciej do połowy ilości nowych odpadów składowanych w kompostowniku. Jeśli odpady są mokre, należy użyć więcej materiału wypełniającego.
- Kontynuować dodawanie odpadów do kompostownika w miarę ich generowania. Starać się dodawać odpady do kompostownika kilka razy w tygodniu. Jest to szczególnie ważne w czasie zimnej pory roku.
- Wymieszać ostatnio dołożoną warstwę około 20-30 cm od powierzchni. Nie trzeba mieszać kompostu po każdym załadunku. Im więcej środka wypełniającego, tym mniej mieszania masy jest potrzebne.
- Nie mieszać całej masy kompostowej aż do dna, aby zapobiec ochłodzeniu jeszcze cieplej masy kompostowej przez najniższe, już schłodzone warstwy.

### 5.2 Opróżnianie

- Kompostownik bioodpadów należy opróżniać przez cały rok. Opróżniać kompostownik, gdy jest prawie pełny, częściej w zimnej porze roku niż w cieplej. Po opróżnieniu kompostownika znajduje się w nim więcej tlenu, co często powoduje wzrost temperatury wewnątrz kompostownika.
- Zimą usuwać tylko odrobinę masy kompostowej na raz. W okresie letnim można usuwać więcej, ale zawsze opróżniać co najwyżej połowę masy kompostowej.
- Otworzyć drzwi rozładunkowe (część 5) i łopatką usunąć część masy z dna kompostownika.
- Należy również oczyścić obszar pod płytą cieczy odciekowej (część 15) i upewnić się, że wąż cieczy odciekowej nie jest zablokowany.
- Jeżeli usunięta masa była bardzo mokra, umieścić kilka łopatek materiału wypełniającego Biolan na dnie kompostownika.
- Zamknąć drzwi rozładunkowe.
- Łopatką docisnąć masę od góry. Najłatwiej jest to zrobić, zaczynając od narożników. Uważać, aby nie uszkodzić wlotowego kanału powietrza znajdującego się w środku kompostownika.
- W razie potrzeby opróżnić zbiornik cieczy odciekowej.

### 5.3 Kwestie, które należy wziąć pod uwagę w okresie zimowym

Kompostowane odpady generują ciepło wewnątrz kompostownika; samo urządzenie nie wytwarza żadnego ciepła. Mikroorganizmy potrzebują regularnie świeżych odpadów, aby utrzymać swoje funkcje życiowe.

Izolacja termiczna kompostownika bioodpadów zapobiega wydostawaniu się ciepła, a tym samym wspomaga pracę kompostownika i zapobiega zamarzaniu masy kompostowej.

- Regularne użytkowanie kompostownika, tj. ładowanie i opróżnianie, jest bardzo ważne w zimnej porze roku. Jest to jedyny sposób na utrzymanie warunków wewnątrz kompostownika korzystnych dla mikroorganizmów i tym samym na utrzymanie procesu kompostowania.
- Nie należy zmniejszać ilości materiału wypełniającego ani całkowicie zaprzestać używania materiału wypełniającego w zimnej porze roku: używanie wystarczającej ilości materiału wypełniającego jest szczególnie ważne, gdy jest zimno, ponieważ mokra masa kompostowa łatwiej zamarza.
- Materiał wypełniający należy przechowywać w ciepłym miejscu, gdzie jest chroniony przed deszczem.
- Upewnić się, że zawór wlotowy i wylotowy powietrza (części 9 i 3) kompostownika nie zamarza, ponieważ uniemożliwiłoby to prawidłową wentylację kompostownika. Usuwać lód.
- Kompostownik, jego części lub masa kompostowa nie zostaną uszkodzone, jeśli masa kompostowa zamarznie. Proces kompostowania będzie kontynuowany najpóźniej po rozmrożeniu masy kompostowej.

#### 5.4 Czyszczenie kompostownika bioodpadów

- Nie wolno myć kompostownika. Różne pleśnie i grzyby promieniste są ważnymi organizmami rozkładającymi się w kompoście i nie należy ich zmywać.
- W razie potrzeby oczyścić wodą zawór wlotowy powietrza (część 9), zawór wylotowy powietrza (część 3) i wąż cieczy odciekowej (jeśli istnieje).

## 6. Wykorzystanie kompostu i cieczy odciekowej w ogrodzie

Kompost jest doskonałym środkiem użyźniającym glebę i zawiera składniki odżywcze o długotrwałym działaniu dla roślin. Glebę kompostową dzieli się zazwyczaj na dwie grupy w zależności od stopnia jej dojrzałości: półdojrzałą glebę wierzchnią i dojrzałą glebę kompostową.

#### Dojrzewanie gleby wierzchniej do gleby kompostowej

Przy opróżnianiu masy z kompostownika bioodpadów masa zwykle ma postać gleby wierzchniej. Zaleca się stosowanie gleby wierzchniej wyłącznie do przykrycia grządek roślin ozdobnych. Jeśli ma być wykorzystywana do uprawy roślin jadalnych, powinna kompostować się kolejny rok, aby dojrzeć do właściwej gleby kompostowej.

#### Wykorzystanie gleby wierzchniej

Gleba wierzchnia to na wpół dojrzała masa kompostowa. Proces rozkładu przeszedł do etapu, w którym rozkładają się odpady żywnościowe. Twardsza materia drzewna i skorupki jajek oraz skórki owoców cytrusowych mogą być jeszcze widoczne, więc gleba wierzchnia ma mniej sypką konsystencję. Kompost na wpół dojrzały może nadal zawierać substancje, które będą utrudniać wzrost i kiełkowanie, dlatego nie powinien być używany jako podłoże uprawowe. Gleba wierzchnia nie jest szkodliwa dla roślin, gdy rozsypuje się ją w celu przykrycia grządek roślin ozdobnych w warstwie o grubości kilku centymetrów. Pozwoli to na uwolnienie składników odżywczych zawartych w kompoście do wykorzystania przez rośliny.

#### 6.1 Wykorzystanie dojrzałej gleby kompostowej

Działanie nawożące kompostu zależy od jego składników. Wartość odżywcza kompostu wytworzonego z odpadów z gospodarstw domowych jest zazwyczaj wyższa niż kompostu wytworzonego z odpadów ogrodniczych. Sama gleba kompostowa nie zapewnia dobrego podłoża; lepiej jest dodać jedną trzecią kompostu do połowy gleby mineralnej, takiej jak piasek, muł lub glina.

#### 6.2 Wykorzystanie cieczy odciekowej

Jeżeli używasz węża podłączonego do otworu na ciecz odciekową kompostownika w celu zbierania nadmiaru cieczy odciekowej z dna kompostownika, możesz wykorzystać ją w ogrodzie. Wyciekająca ciecz zawiera składniki odżywcze, które rośliny mogą z łatwością wykorzystać.

- Do podlewania roślin ogrodowych należy używać cieczy odciekowej rozcieńczonej wodą (minimalny stosunek 1:2).
- Ciecz odciekową można również poddać recyklingowi w kompostowniku bioodpadów, wlewając ją z powrotem do masy kompostowej od góry. Dodać trochę środka wypełniającego i maksymalnie 5 litrów płynu dziennie. Jeśli masa jest już wilgotna, nie należy jej dalej zwilżać cieczą odciekową.

## 7. Rozwiązywanie problemów

#### 7.1 Przykry zapach

Jeżeli kompostownik wydziela zapach zgnilizny lub rozkładu, masa kompostowa jest zbyt gęsta lub mokra albo nie ma tlenu wewnątrz kompostownika.

- Upewnić się, że stosowany jest materiał wypełniający odpowiedni dla kompostownika.
- Upewnić się, że użyto wystarczająco dużo materiału wypełniającego BioJan.
- Tymczasowo zwiększyć ilość materiału wypełniającego, do momentu aż masa kompostowa przestanie być nadmiernie wilgotna.
- Pamiętać, aby otworzyć i opróżnić worki biodegradowalne przed umieszczeniem ich w kompostowniku.
- Opróżnić część mokrej masy kompostowej z dna kompostownika (zobacz rozdział 5.2). Umieścić kilka centymetrów masy wokół roślin ozdobnych. Nieprzyjemny zapach rozproszy się w ciągu kilku dni. Dodać kilka łopatek środka wypełniającego BioJan na dno kompostownika przez drzwiczki rozładunkowe (część 5). Zagęścić masę i wmieszać do niej dużo środka wypełniającego BioJan.

#### 7.2 Zapach amoniaku

Jeżeli kompostownik wydziela ostry amoniakowy zapach, masa kompostowa uwalnia azot. Jeśli azotu jest za dużo w stosunku do węgla, mikroorganizmy nie będą w stanie go wykorzystać.

- Upewnić się, że nie dodano do kompostownika zbyt dużej ilości materiałów zawierających azot, takich jak mocz lub odchody kur. Nie dodawać zbyt dużo azotu do kompostownika.
- Nie należy wkladać do kompostownika popiołu ani wapna.
- Upewnić się, że stosowany jest materiał wypełniający odpowiedni dla kompostownika.
- Upewnić się, że użyto wystarczająco dużo materiału wypełniającego BioJan.
- Tymczasowo zwiększyć ilość materiału wypełniającego używanego podczas ładowania kompostownika, aż do momentu zniknięcia nieprzyjemnego zapachu.
- Wymieszać masę kompostową.

#### 7.3 Proces kompostowania nie rozpoczyna się

- Wymieszać górną część masy kompostowej i sprawdzić przez drzwiczki wyładunkowe, czy masa jest odpowiednio wilgotna.

#### Jeśli masa jest odpowiednio wilgotna:

1. Proces kompostowania nie został jeszcze rozpoczęty (zob. rozdział 4.1). Kontynuować normalne ładowanie kompostownika.
2. Objętość odpadów jest tak mała, że temperatura wewnątrz kompostownika nie jest wystarczająco wysoka. Upłynie więcej czasu, zanim odpady staną się kompostem. Kontynuować normalne użytkowanie kompostownika. Odpowiednio długi czas kompostowania odpadów przed opróżnieniem kompostownika jest ważniejszy niż wysoka temperatura. Aby przyspieszyć proces kompostowania, należy dodać więcej azotu. Można użyć środka aktywującego do kompostowników.
3. Masa na dnie kompostownika przekompostowała się do stanu, w którym nie jest już gorąca. Opróżnić część masy kompostowej i kontynuować używanie kompostownika.

#### Masa kompostowa jest zbyt mokra:

- Upewnić się, że stosowany jest materiał wypełniający odpowiedni dla kompostownika.
- Upewnić się, że użyto wystarczająco dużo materiału wypełniającego Biolan.
- Tymczasowo zwiększyć ilość materiału wypełniającego, do momentu aż masa kompostowa przestanie być nadmiernie wilgotna.
- Usunąć najbardziej mokrą część masy kompostowej z dna kompostownika. Dodać kilka łopatek środka wypełniającego Biolan do dna kompostownika przez drzwiczki rozładunkowe. Ugnieść masę od góry i wmieszać w niej dużo środka wypełniającego Biolan.
- W przyszłości należy pilnować, aby masa kompostowa nie była zbyt mokra.

#### Masa kompostowa jest zbyt sucha:

- Do zwilżenia masy użyć ciepłej wody.
- Usunąć nadmiernie suche odpady z dna kompostownika, zwilżyć je i umieścić z powrotem w kompostowniku.
- W przyszłości należy pilnować, aby masa kompostowa pozostawała wystarczająco wilgotna.

#### 7.4 Masa kompostowa zamarza

- Działać, zanim masa kompostowa całkowicie zamarznie. Jeżeli kompostownik jest pełny, opróżniać część masy również w okresie zimowym.
- Zapobiegać zamarzaniu, używając kompostownika (ładować i opróżniać) w celu utrzymania aktywności mikroorganizmów. Zob. rozdziały 5 i 5.1-5.4.
- Upewnić się, że kompostownik jest zawsze dość pełny w okresie zimowym; jednorazowo opróżniać tylko niewielkie ilości masy kompostowej.
- Zwrócić uwagę na to, jak wilgotna jest masa kompostowa: mokra masa kompostowa będzie łatwiej zamarzać (patrz rozdział 7.3).
- Zimą należy stosować dużo środka wypełniającego Biolan. Można dodać środek aktywujący do warstwy wierzchniej w celu wspierania procesu kompostowania. Pokryć go warstwą środka wypełniającego.
- Posypać kompostownik śniegiem, żeby było cieplej.
- Podgrzać masę kompostową, na przykład umieszczając dziecieliolitrowy kanister wypełniony gorącą wodą wewnątrz górnej warstwy i wymieniając wodę wystarczająco często.

#### 7.5 Masa kompostowa jest zbyt gęsta

- Dodać dużo środka wypełniającego Biolan. Wymieszać środek wypełniający z masą kompostową.
- W przyszłości należy stosować więcej środka wypełniającego i uważać, aby podczas zapełniania kompostownika nie tworzyć grubych warstw trawy, skórek warzyw korzeniowych, liści itp.

#### 7.6 Muchy lub larwy much w kompostowniku

Jeśli masa jest zbyt mokra, w kompoście mogą znajdować się muchy. Larwy muchy to białe robaki z czarną głową. Mają około jednego centymetra długości. Patrz również rozdział 7.3.

- Dodać dużo środka wypełniającego Biolan, wymieszać go z masą kompostową i używać więcej środka wypełniającego w przyszłości.
- Zmieszać najwyższą część masy kompostowej z pozostałą częścią masy. Larwy muchy zginą, gdy temperatura osiągnie około +43°C.
- Dodać na wierzchu warstwę około 2 cm środka wypełniającego. W przyszłości należy zadbać o prawidłowe pokrywanie odpadków, szczególnie resztek mięsa i ryb.
- Ostrożnie przepłukać ściany wewnętrzne i pokrywę kompostownika gorącą wodą, aby zniszczyć wszelkie jaja i larwy.
- Można również rozpylić pestycydy zawierające pyretrynę jako aktywny składnik kompostu, aby zapobiec rozwojowi much. Skontaktuj się ze swoim sklepem z artykułami ogrodniczymi, aby wybrać odpowiedni produkt.

#### 7.7 Mrówki w kompostowniku

Kompostownik zawiera żywność i dobre środowisko dla mrówek, co oznacza, że trudno jest je trzymać z dala. Mrówki zazwyczaj osiedlają się w masie kompostowej na dnie kompostownika, który się ochładza. Mrówki nie zaszczą procesowi kompostowania.

- Upewnić się, że masa kompostowa nie jest zbyt sucha.
- Regularne opróżnianie małych ilości masy kompostowej powstrzyma mrówki przed zbyt dużym poczuciem komfortu w ich otoczeniu.

#### 7.8 Pleśń w kompostowniku

Grzyby pleśniowe są jednym ze składników powodujących rozkład masy organicznej w kompostowniku, więc ich obecność jest normalna.

- Nie usuwać pleśni.
- Kontynuować normalne użytkowanie kompostownika.

#### 7.9 Grzyby w kompostowniku

Grzyby rozkładają drewno, np. grubsze części środka wypełniającego i ich obecność w kompostowniku jest normalna.

- Nie należy nic z nimi robić: same znikną.
- Kontynuować normalne użytkowanie kompostownika.

#### Utylizacja produktu

Materiały, z których wykonany jest produkt, są wskazane w wykazie części (str. 65). Utylizować każdą z części zgodnie z zaleceniami. Zawsze postępować zgodnie z instrukcjami regionalnymi i wskazanymi przez dany punkt zbiórki odpadów.



PE-LD



PE-HD



PP

Zbiórka odpadów przeznaczonych do odzysku energii lub do recyklingu tworzyw sztucznych:

EPDM = terpolimer etylenowo-propylenowo-dienowy

PE = polietylen

PP = polipropylen

EPP = ekspandowany polipropylen

Zbiórka odpadów energetycznych:

PU = poliuretan

Silikon

Recykling metali:

RST = stal nierdzewna

Zbiórka makulatury:

Papier

#### Gwarancja

**Kompostownik bioodpadów Biolan jest objęty roczną (1 rok) gwarancją.**

1. Gwarancja jest ważna od daty zakupu i obejmuje ewentualne wady materiału i wykonania. Gwarancja nie obejmuje żadnych szkód pośrednich.
2. Biolan Oy zachowuje prawo do decydowania o naprawie lub wymianie uszkodzonych części według własnego uznania.
3. Wszelkie uszkodzenia wynikające z nieostrożnego lub siłowego obchodzenia się z urządzeniem, nieprzestrzegania instrukcji obsługi lub normalnego zużycia nie są objęte gwarancją.

W sprawach związanych z gwarancją należy zwracać się bezpośrednio do Biolan Oy.

PL



**BIOLAN**